

↗ DOMETIC

REFRIGERATION

RF

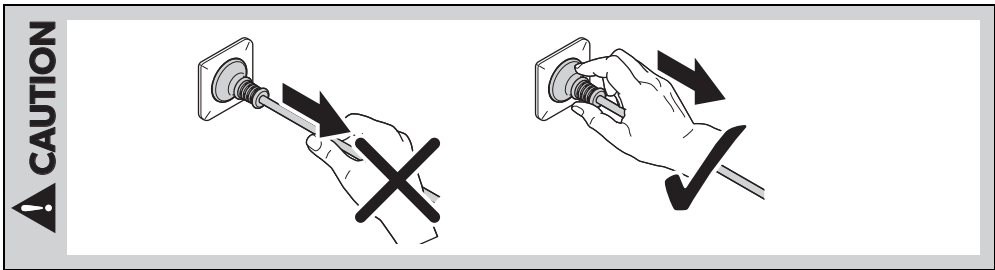
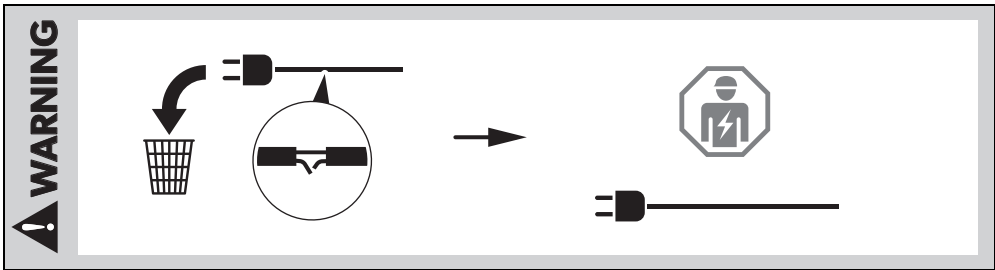
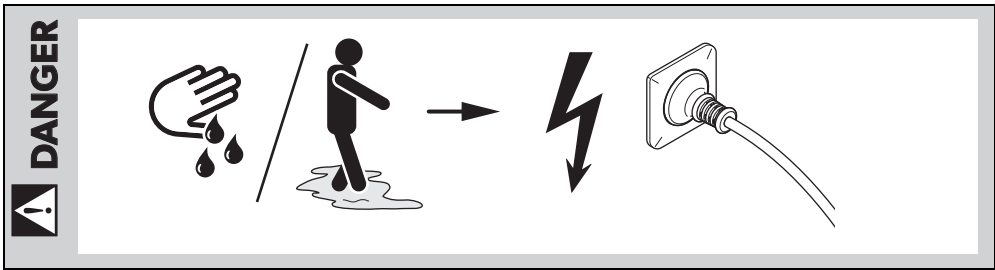


RF60, RF62

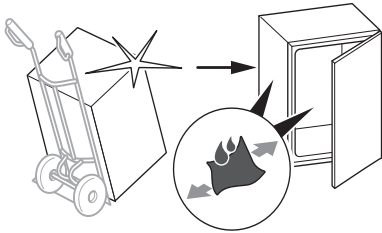
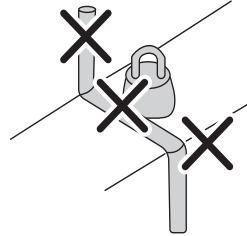
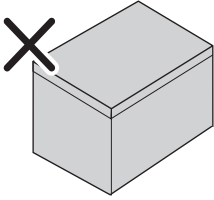
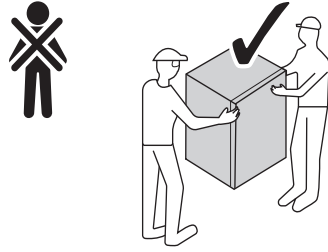
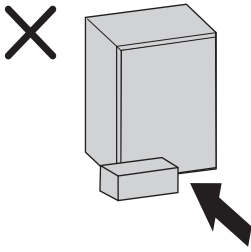
EN	Absorber refrigerator Short operating manual	14
DE	Absorber-Kühlschrank Kurzbedienungsanleitung	18
FR	Réfrigérateur à absorption Guide rapide	23
ES	Nevera con extractor Guía rápida	28
PT	Frigorífico de absorção Manual do utilizador resumido	33
IT	Frigorifero ad assorbimento Manuale dell'utente breve	38
NL	Absorptiekoelkast Korte gebruikershandleiding	43

DA	Absorber-køleskab Lynvejledning	48
SV	Absorptionskylskåp Kortfattad användarhandbok	52
NO	Absorbsjons-kjøleskap Hurtigveiledning	56
FI	Absorptiojääkaappi Pikaopas	60
RU	Абсорбционный холодильник Краткая инструкция по эксплуатации	64
PL	Lodówka absorpcyjna Krótka instrukcja obsługi	69
SK	Absorpcná chladnička Stručný návod	74
CS	Absorpcní lednička Stručný návod	79
HU	Abszorberes hűtőszekrény Rövid használati útmutató	83

© 2021 Dometic Group. The visual appearance of the contents of this manual is protected by copyright and design law. The underlying technical design and the products contained herein may be protected by design, patent or be patent pending. The trademarks mentioned in this manual belong to Dometic Sweden AB. All rights are reserved.

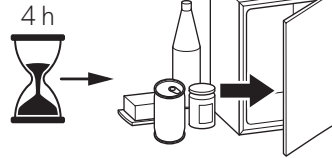


NOTICE

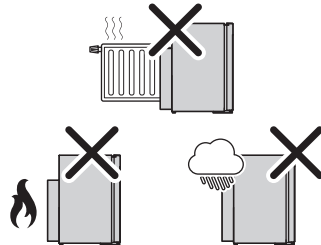
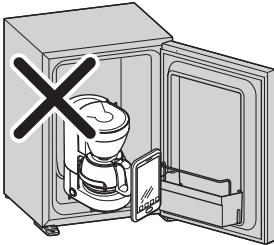


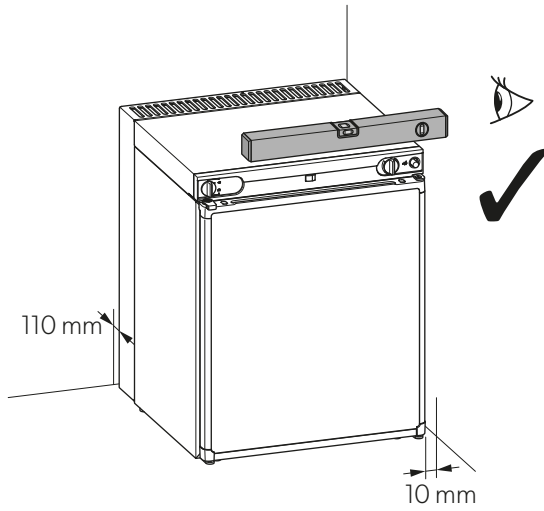
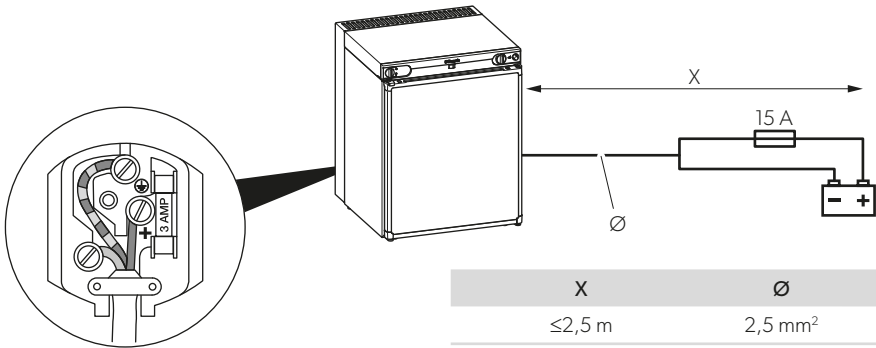
OFF 

ON 

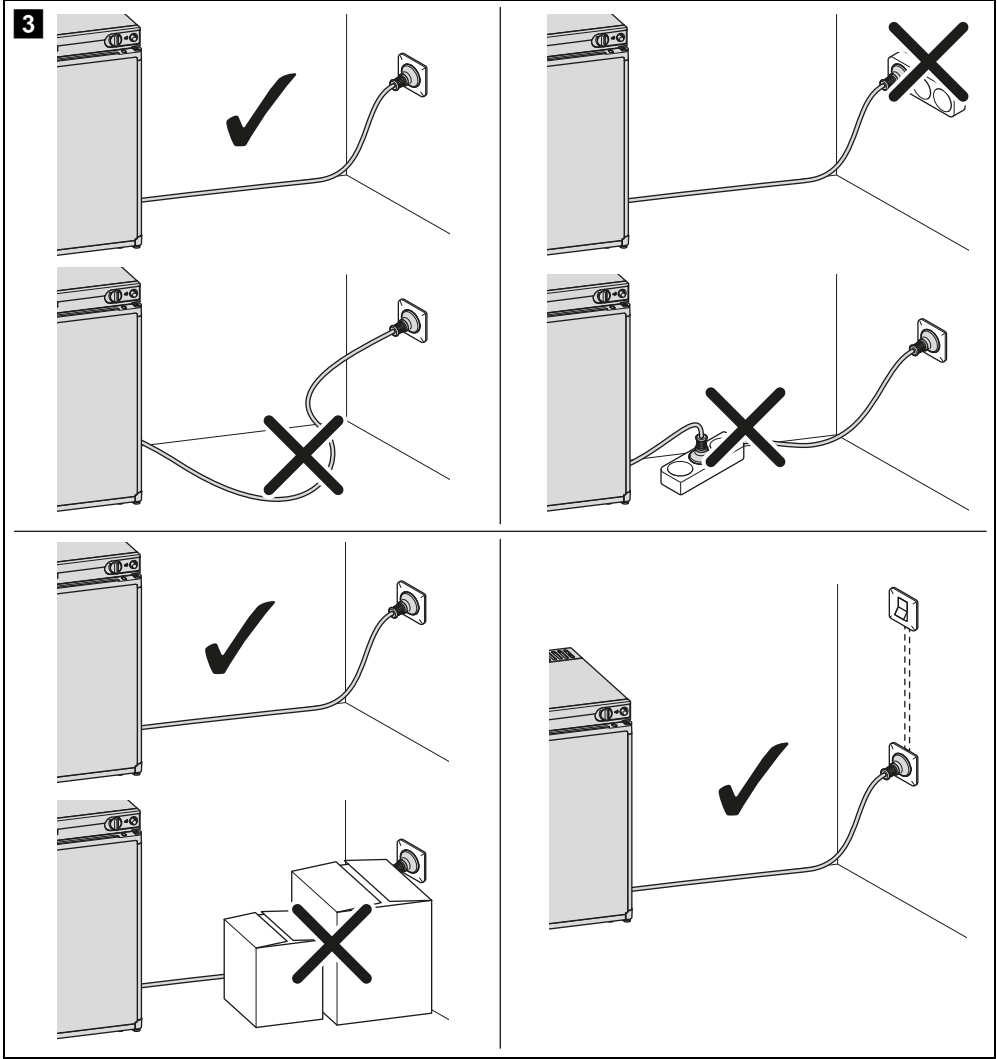


NOTICE



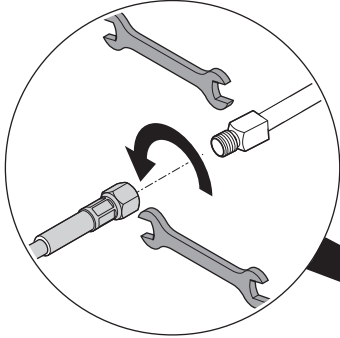
1**2**

X	Ø
≤2,5 m	2,5 mm ²
2,5 m – 4,0 m	4,0 mm ²
4,0 m – 6,0 m	6,0 mm ²

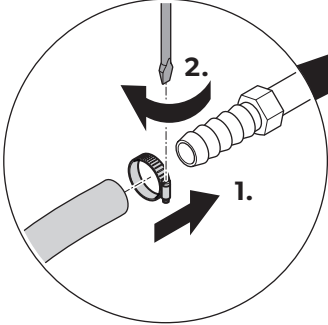


4

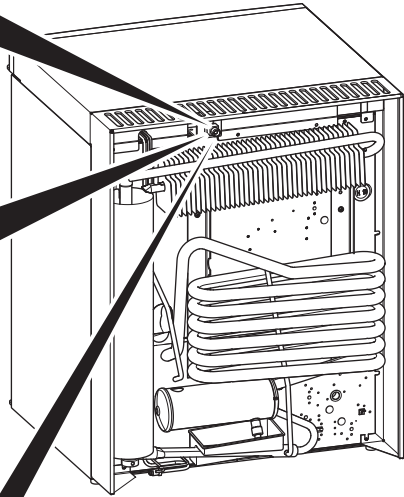
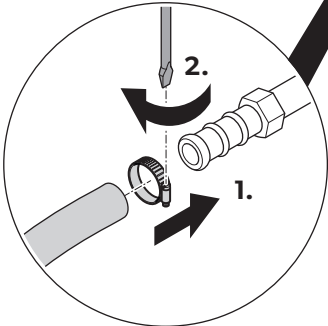
DE, AT, CH, LU



DK, FI, NO, S



F, H, NL, PL, SK, CZ, I, P, E, GB





DE, AT, CH, LU

I₃B/P – 50 mbar

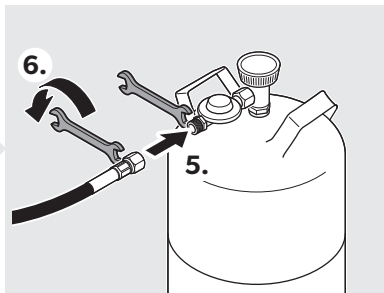
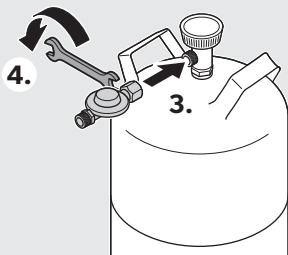
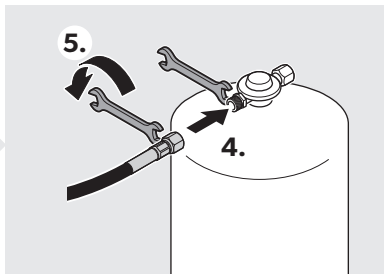
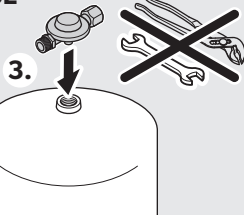
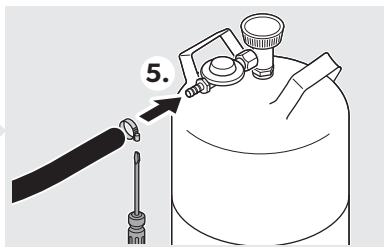
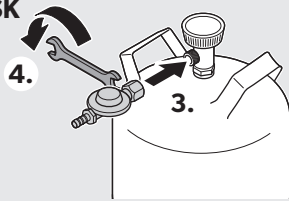
DK, FI, HU, NO, PL, SE

I₃B/P – 30 mbar

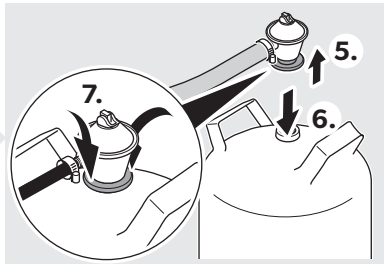
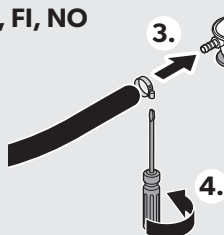
BE, CZ, ES, FR, GB, IT, NL, PT, SK

I₃± 28 - 30/37 mbar

DE, AT, CH, PL

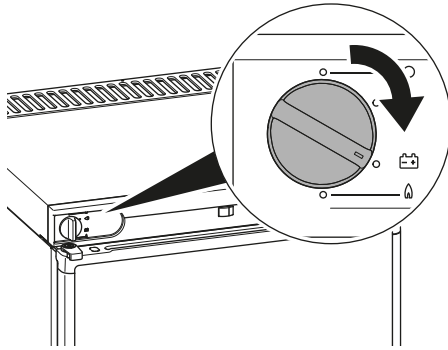
DE, AT, CH, LU, DK, ES,
FR, IE, IT, SECZ, ES, FR, GB, IT, NL, PT,
SE, SK

DK, FI, NO

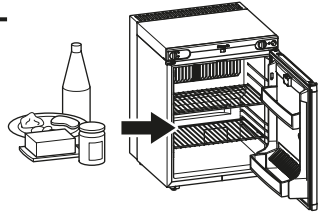


6

SWITCHING ON 12 V

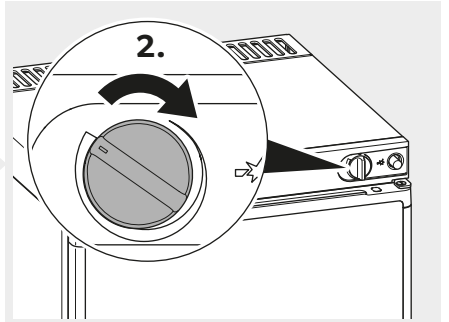
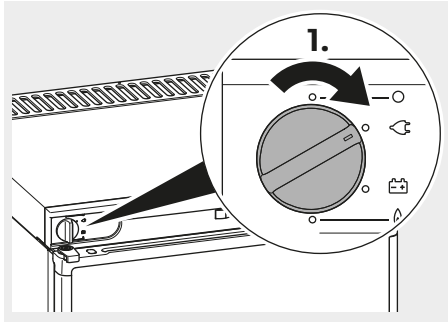


ON 

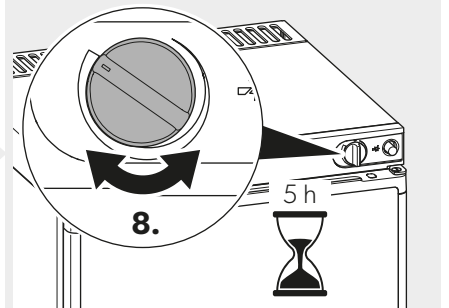
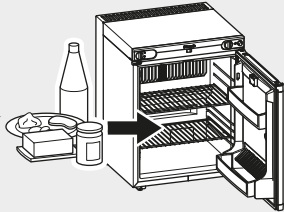


7

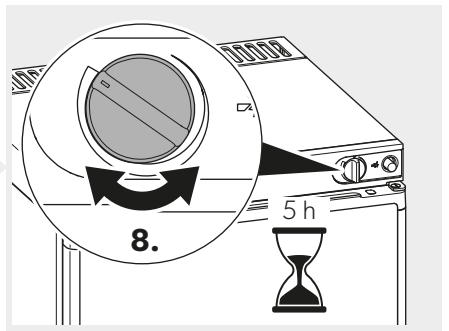
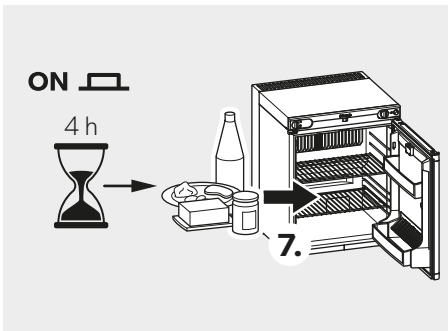
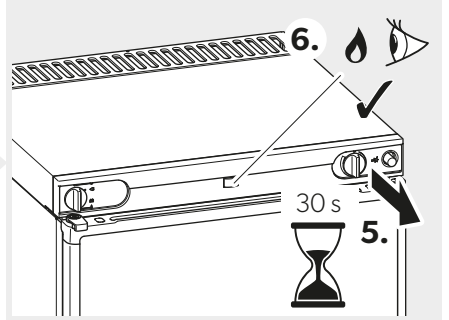
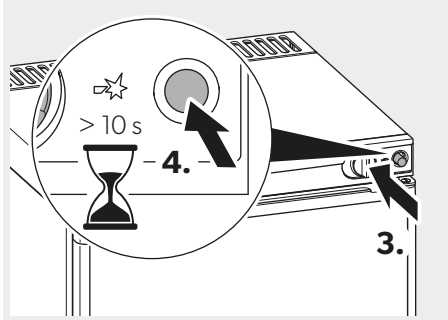
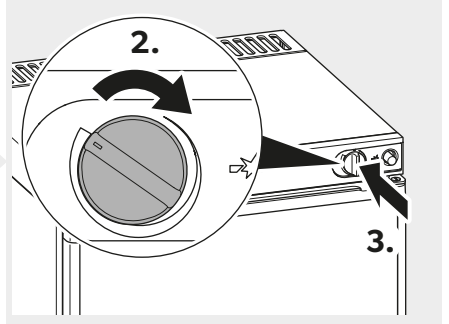
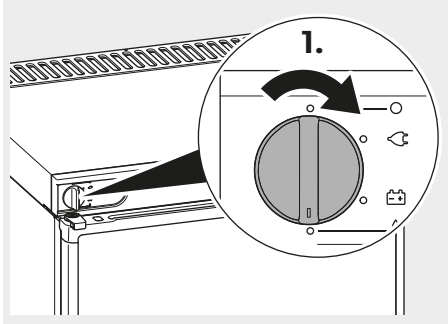
SWITCHING ON 220 - 240 V



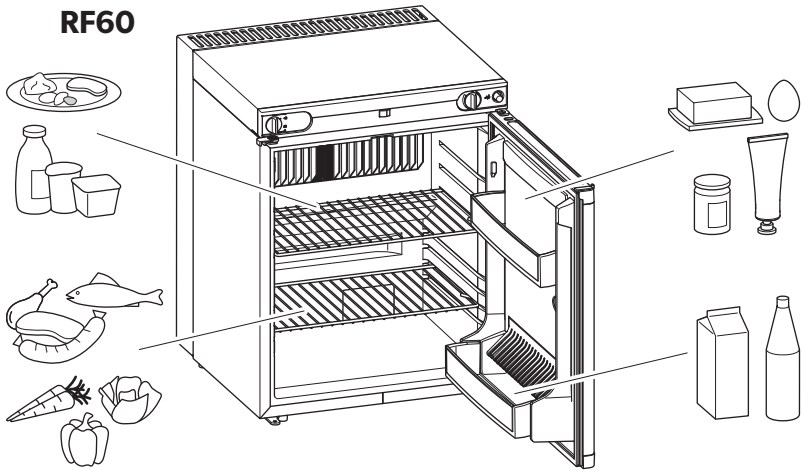
ON 



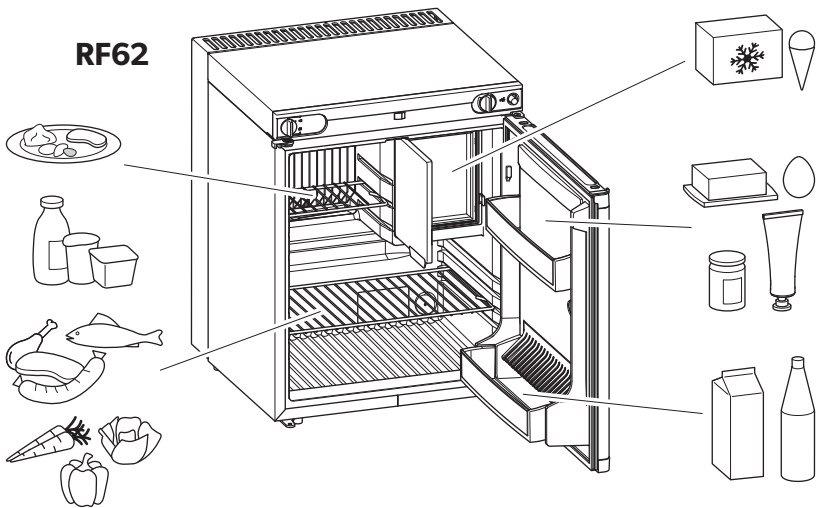
8
SWITCHING ON

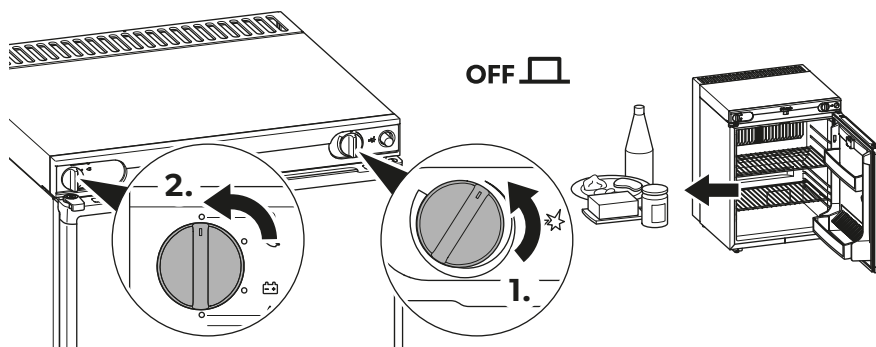
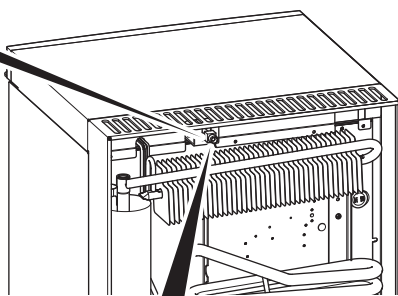
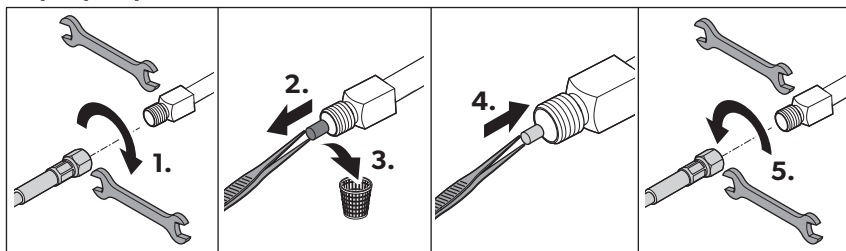
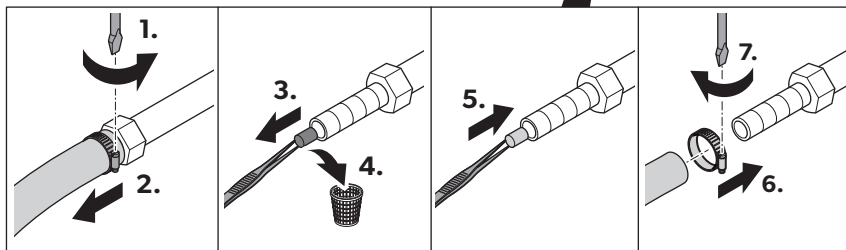


RF60

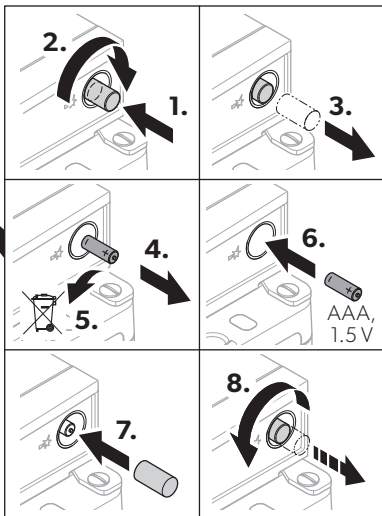
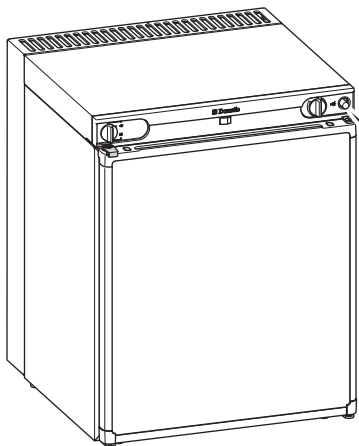


RF62



10**SWITCHING OFF****11****DE, AT, CH, LU****DK, FI, NO, S, F, H, NL, PL, SK, CZ, I, P, E, GB**

12



Please read these instructions carefully and follow all instructions, guidelines, and warnings included in this product manual in order to ensure that you install, use, and maintain the product properly at all times. These instructions **MUST** stay with this product.

By using the product, you hereby confirm that you have read all instructions, guidelines, and warnings carefully and that you understand and agree to abide by the terms and conditions as set forth herein. You agree to use this product only for the intended purpose and application and in accordance with the instructions, guidelines, and warnings as set forth in this product manual as well as in accordance with all applicable laws and regulations. A failure to read and follow the instructions and warnings set forth herein may result in an injury to yourself and others, damage to your product or damage to other property in the vicinity. This product manual, including the instructions, guidelines, and warnings, and related documentation, may be subject to changes and updates. For up-to-date product information, please visit documents.dometic.com, dometic.com.

Related documents



You find the detailed operating manual and information on the technical data online at

documents.dometic.com/?object_id=74832.

Safety instructions



WARNING!

Also observe the safety instructions on page 3 to page 4.

General safety



WARNING! Failure to obey these warnings could result in death or serious injury.

Electrocution hazard

- Do not operate the device if it is visibly damaged.
- If this device's AC power cable is damaged, it must be replaced by the manufacturer, customer service or a similarly qualified person in order to prevent safety hazards.
- This device may only be repaired by qualified personnel. Improper repairs can lead to considerable hazards.

Explosion hazard

Do not store any explosive substances such as spray cans with a flammable propellant in the device.

Fire hazard

The refrigerant in the refrigerant circuit is highly flammable. In the event of any damage to the refrigerant circuit (smell of ammonia):

- Switch off the device.
- Avoid naked flames and sparks.
- Air the room well.

Health hazard

- Never open the absorber unit. It is under high pressure and can cause injury if it is opened.
- This device can be used by children aged from 8 years and above and persons with reduced physical, sensory or mental capabilities or lack of experience and knowledge if they have been given supervision or instruction concerning use of the device in a safe way and understand the hazards involved.
- Children shall not play with the device.
- Cleaning and user maintenance shall not be made by children without supervision.
- Children aged from 3 to 8 years are allowed to load and unload devices.

Children beware

- Make sure that the shelves are mounted and secured so that children cannot lock themselves in the device.
- Before disposing of your old refrigerator:
 - Dismantle the drawers.
 - Leave the shelves in the refrigerator so that children cannot climb inside.



CAUTION! Failure to obey these cautions could result in minor or moderate injury.

Injury hazard

- Do not put your fingers into the hinge.
- Do not lean on the open device door.



NOTICE! Damage hazard

- The lamp can only be replaced by the manufacturer, service agent or similarly qualified person to avoid hazard.
- Do not use a high-pressure cleaner near the ventilation grill when cleaning the vehicle.
- Attach the winter covers of the ventilation grille (accessories) when the vehicle is cleaned from the outside or not used for a prolonged period of time.
- The device is not suitable for transporting caustic materials or materials containing solvents.

- The insulation of the device contains flammable cyclopentane and requires special disposal procedures. Deliver the device at the end of its life-cycle to an appropriate recycling centre.
- Keep the condensation opening clean at all times.
- Never immerse the device in water.
- Protect the device and cables against heat and moisture.
- The device shall not to be exposed to rain.

- Put the device door and the freezer door into the winter position if you are not going to use the device for a longer period of time. This prevents mold from forming.

Operating the device safely



WARNING! Failure to obey these warnings could result in death or serious injury.

Electrocution hazard

- Before starting the device, ensure that the power supply line and the plug are dry.
- Disconnect the device from the power supply
 - before each cleaning and maintenance
 - after every use

Health hazard

- Please check if the cooling capacity of the device is suitable for storing the food you wish to cool.
- Only use the device where there is good ventilation.
- Only operate the device from a single energy source.
- Food may only be stored in its original packaging or in suitable containers.
- Opening the device for long periods can cause significant increase of the temperature in the compartments of the device.
- Clean regularly surfaces that can come in contact with food and accessible drainage systems.
- Store raw meat and fish in suitable containers in the device, so that it is not in contact with or can drip onto other food.
- If the device is exposed to a room temperature of below +10 °C for an extended period of time, an uniform temperature cannot be guaranteed in the freezer compartment. This can lead to an increase of the freezer compartment temperature and the goods stored in it may defrost.
- If the device is left empty for long periods:
 - Switch off the device.
 - Defrost the device.
 - Clean and dry the device.
 - Leave the door open to prevent mold developing within the device.

Placing and connecting the device safely



WARNING! Failure to obey these warnings could result in death or serious injury.

Fire hazard

- Ensure that the device circuit is not damaged during transportation.
- When positioning the device, ensure the supply cord is not trapped or damaged.
- Do not locate multiple portable socket-outlets or portable power supplies at the rear of the device.



NOTICE! Damage hazard

Risk of overheating!

- Always ensure sufficient ventilation so that the heat generated during operation can dissipate. Make sure that the device is sufficiently far away from walls and other objects so that the air can circulate.
- To enable the refrigerant to circulate properly, the device may not tilted by more than 3°. Use a spirit level to make sure the device is level.
 - Only hold the device at the body of the device during transport. Never hold the device at the absorber unit, the cooling fins, the gas pipes, the door or the control panel.
 - Do not place the device near naked flames or other heat sources (heaters, direct sunlight, gas ovens etc.).
 - Only use the AC connection cable supplied to connect the device to the AC mains.
 - Ask your vehicle manufacturer if the battery management of your vehicle shuts down the devices to protect the battery.



CAUTION! Failure to obey these cautions could result in minor or moderate injury.

injury hazard

- Close and lock the device door before beginning a journey.
- The cooling aggregate at the back of the device becomes very hot during operation. Protect yourself from coming into contact with hot parts when removing ventilation grills.



NOTICE! Damage hazard

- Check that the voltage specification on the type plate corresponds to that of the energy supply.
- Only connect the device as follows:
 - DC outlet: Only use cables with an appropriate cross section.
 - AC outlet: Only use the AC cable supplied
- Never pull the plug out of the socket by the cable.
- If the device is connected to a DC outlet: Only select DC operation (battery mode) if you are using a battery monitor or if the alternator in your vehicle provides sufficient voltage.
- If the device is connected to a DC outlet: Disconnect the device or switch it off when you turn off the engine. Otherwise you may discharge the battery.
- Ensure that the ventilation openings are not covered.
- Do not use electrical devices inside the device unless they are recommended by the manufacturer for the purpose.
- Do not fill the inner container with ice or fluids.
- Only store heavy objects such as bottles or cans in the device door, in the vegetable compartment or on the bottom shelf.

Operating with gas safely



WARNING! Failure to obey these warnings could result in death or serious injury.

Explosion hazard

- Only operate the device at the pressure shown on the type plate. Only use pressure controllers with a fixed setting which comply with the national regulations. Use a DIN-DVGW-approved pressure regulator with a fixed setting in accordance with DIN EN 16129.

- When using gas, the device may **only** be used outdoors.
- **Beware of suffocation!**
Operating the device with gas in an unventilated area will reduce the amount of oxygen in this area.
- Do not operate the device with gas in unventilated areas such as enclosed premises, tents, motor vehicles, motor homes, caravans, ships, yachts, boats and truck cabs.
- Never place the device near flammable materials (paper, dry leaves, textiles).
- Keep flammable objects away from the burner.
- **Never** store liquid gas cylinders in unventilated areas or below ground level (funnel shaped holes in the ground).
- Keep liquid gas cylinders away from direct sunlight. The temperature may not exceed 50 °C.
- Never use a naked flame to check the device for leaks.
- If you smell gas:
 - Close the gas supply cock and the valve on the cylinder.
 - Do not press an electric switch.
 - Put out any naked flames.
 - Have the gas system checked by a specialist.
- Do not let the device operate unattended when in gas mode.



NOTICE! Damage hazard

Only use propane or butane gas (not natural gas).

Intended use

The mobile refrigeration appliance is intended to be used in household and similar applications such as:

- Staff kitchen areas in shops, offices and other working environments
- Farm houses
- Clients in hotels, motels and other residential type environments
- Bed and breakfast type environments
- Catering and similar non-retail applications

The device is suitable for:

- Camping use
- Cooling and storing food as well as storing frozen food

- Operation with DC power, AC power or gas

The device is not suitable for:

- Using as a built-in appliance
- Storing medications
- Storing caustic substances or substances that contain solvents

This product is only suitable for the intended purpose and application in accordance with these instructions.

This manual provides information that is necessary for proper installation and/or operation of the device. Poor installation and/or improper operating or maintenance will result in unsatisfactory performance and a possible failure.

The manufacturer accepts no liability for any injury or damage to the product resulting from:

- Incorrect assembly or connection, including excess voltage
- Incorrect maintenance or use of spare parts other than original spare parts provided by the manufacturer
- Alterations to the product without express permission from the manufacturer
- Use for purposes other than those described in this manual

Dometic reserves the right to change product appearance and product specifications.

Setting up and operating

Proceed as shown on page 5 to page 13:

- Placing the device: fig. **1**
- Connecting the device to DC power: fig. **2**
- Connecting the device to AC power: fig. **3**
- Connecting the device to gas: fig. **4** – fig. **5**
- Switching on power supply 12 V: fig. **6**
- Switching on power supply 24 V: fig. **7**
- Switching on gas supply: fig. **8**
- Placing foodstuff: fig. **9**
- Switching off the device: fig. **10**
- Changing the gas filter: fig. **11**
- Replacing the ignition battery: fig. **12**

Warranty

The statutory warranty period applies. If the product is defective, please contact your retailer or the manufacturer's branch in your country (see dometic.com/dealer).

For repair and warranty processing, please include the following documents when you send in the product:

- A copy of the receipt with purchasing date
- A reason for the claim or description of the fault

Disposal

► Place the packaging material in the appropriate recycling waste bins, wherever possible.



If you wish to finally dispose of the product, ask your local recycling center or specialist dealer for details about how to do this in accordance with the applicable disposal regulations.



Protect the environment!

Do not dispose of any batteries with general household waste.

Return defective or used batteries to your retailer or dispose of them at collection points.

Lesen und befolgen Sie bitte alle Anweisungen, Richtlinien und Warnhinweise in diesem Produkthandbuch sorgfältig, um sicherzustellen, dass Sie das Produkt ordnungsgemäß installieren und stets ordnungsgemäß betreiben und warten. Diese Anleitung MUSS bei dem Produkt verbleiben.

Durch die Verwendung des Produktes bestätigen Sie hiermit, dass Sie alle Anweisungen, Richtlinien und Warnhinweise sorgfältig gelesen haben und dass Sie die hierin dargelegten Bestimmungen verstanden haben und ihnen zustimmen. Sie erklären sich damit einverstanden, dieses Produkt nur für den angegebenen Verwendungszweck und gemäß den Anweisungen, Richtlinien und Warnhinweisen dieses Produkthandbuchs sowie gemäß allen geltenden Gesetzen und Vorschriften zu verwenden. Eine Nichtbeachtung der hierin enthaltenen Anweisungen und Warnhinweise kann zu einer Verletzung Ihrer selbst und anderer Personen, zu Schäden an Ihrem Produkt oder zu Schäden an anderem Eigentum in der Umgebung führen. Dieses Produkthandbuch, einschließlich der Anweisungen, Richtlinien und Warnhinweise, sowie die zugehörige Dokumentation können Änderungen und Aktualisierungen unterliegen. Aktuelle Produktinformationen finden Sie unter documents.dometic.com, dometic.com.

Zugehörige Dokumente



Eine detaillierte Bedienungsanleitung sowie Informationen zu den technischen Daten finden Sie online unter

documents.dometic.com/?object_id=74832.

Sicherheitshinweise



WARNUNG!

Beachten Sie bitte auch die Sicherheitshinweise auf

Seite 3 bis Seite 4.

Grundlegende Sicherheit



WARNUNG! Nichtbeachtung dieser Warnungen kann zum Tod oder schwerer Verletzung führen.

Gefahr durch Stromschlag

- Wenn das Gerät sichtbare Beschädigungen aufweist, dürfen Sie es nicht in Betrieb nehmen.
- Wenn das Wechselstrom-Anschlusskabel dieses Geräts beschädigt ist, muss es durch den Hersteller oder seinen Kundendienst bzw. eine entsprechend ausgebildete Fachkraft ersetzt werden, um Gefahren zu verhindern.
- Reparaturen an diesem Gerät dürfen nur von Fachkräften durchgeführt werden. Durch unsachgemäße Reparaturen können erhebliche Gefahren entstehen.

Explosionsgefahr

Lagern Sie keine explosionsfähigen Stoffe, wie z. B. Sprühdosen mit brennbarem Treibgas, im Gerät.

Brandgefahr

Das Kältemittel im Kühlkreislauf ist leicht entflammbar. Bei einer Beschädigung des Kühlkreislaufs (Ammoniakgeruch):

- Schalten Sie das Gerät aus.
- Vermeiden Sie offenes Feuer und Zündfunken.
- Lüften Sie den Raum gut.

Gesundheitsgefahr

- Öffnen Sie niemals das Absorberaggregat. Es steht unter hohem Druck und kann Verletzungen verursachen, wenn es geöffnet wird.
- Dieses Gerät kann von Kindern ab 8 Jahren und von Personen mit verringerten physischen, sensorischen oder mentalen Fähigkeiten oder Mangel an Erfahrung und/oder Wissen verwendet werden, wenn diese Personen beaufsichtigt werden oder im sicheren Gebrauch des Geräts unterwiesen wurden und die daraus resultierenden Gefahren verstanden haben.
- Kinder dürfen nicht mit dem Gerät spielen.
- Reinigung und Benutzerwartung dürfen nicht durch unbeaufsichtigte Kinder durchgeführt werden.
- Kinder von 3 bis 8 Jahren dürfen Geräte be- und entladen.

Kinderfalle!

- Stellen Sie sicher, dass die Tragroste so montiert und gesichert sind, dass sich Kinder nicht selbst im Gerät einschließen können.
- Vor der Entsorgung Ihres alten Kühlschranks:
 - Bauen Sie die Schublade aus.
 - Belassen Sie die Ablagen im Kühlschrank, damit Kinder nicht hineinsteigen können.



VORSICHT! Nichtbeachtung dieser Hinweise kann zu geringer oder mittelschwerer Verletzung führen.

Verletzungsgefahr

- Fassen Sie nicht in das Scharnier.
- Lehnen Sie sich nicht an die geöffnete Gerätetür.



ACHTUNG! Beschädigungsgefahr

- Die Lampe darf nur durch den Hersteller, einen Kundendienst oder eine ähnlich qualifizierte Person ersetzt werden, um Gefährdungen zu vermeiden.
- Benutzen Sie bei der Fahrzeugreinigung im Bereich der Lüftungsgitter keinen Wasser-Hochdruckreiniger.
- Montieren Sie die Winterabdeckungen des Lüftungsgitters (Zubehör), wenn das Fahrzeug von außen gereinigt oder für längere Zeit außer Betrieb genommen wird.
- Das Gerät ist nicht für den Transport ätzender oder lösungsmittelhaltiger Stoffe geeignet.
- Die Isolierung des Geräts enthält brennbares Cyclopentan und erfordert ein besonderes Entsorgungsverfahren. Entsorgen Sie das Kühlgerät am Ende seiner Nutzungsdauer in einem entsprechenden Recyclingcenter.
- Halten Sie die Kondensatöffnung stets sauber.
- Tauchen Sie das Gerät nie in Wasser.
- Schützen Sie das Gerät und die Kabel vor Hitze und Nässe.
- Das Gerät darf keinem Regen ausgesetzt werden.
- Halten Sie das Gerät beim Transport nur am Gerätekorpus fest. Halten Sie das Gerät niemals am Absorberaggregat, den Kühlrippen, den Gasleitungen, der Tür oder dem Bedienfeld fest.
- Stellen Sie das Gerät nicht in der Nähe von offenen Flammen oder anderen Wärmequellen (Heizung, direkte Sonneneinstrahlung Gasöfen usw.) auf.
- Schließen Sie das Gerät nur mit dem zugehörigen Wechselstrom-Anschlusskabel an die Wechselstromsteckdose an.
- Fragen Sie bei Ihrem Fahrzeughersteller nach, ob das Batteriemangement Ihres Fahrzeugs die Geräte zum Schutz der Batterie abschaltet.
- Bringen Sie die Gerätetür und die Frosterfachtür in die Winterposition, wenn Sie das Gerät längere Zeit nicht benutzen. Schimmelbildung wird so vermieden.

Sicherheit beim Betrieb des Gerätes



WARNUNG! Nichtbeachtung dieser Warnungen kann zum Tod oder schwerer Verletzung führen.

Gefahr durch Stromschlag

- Achten Sie vor der Inbetriebnahme darauf, dass Zuleitung und Stecker trocken sind.
- Trennen Sie das Gerät von der Spannungsversorgung:
 - vor jeder Reinigung und Pflege
 - nach jedem Gebrauch

Gesundheitsgefahr

- Prüfen Sie bitte, ob die Kühlleistung des Gerätes den Anforderungen der Lebensmittel entspricht, die Sie kühlen wollen.
- Betreiben Sie das Gerät nur an gut belüfteten Orten.
- Betreiben Sie das Gerät immer nur mit einer einzigen Energiequelle.
- Lebensmittel dürfen nur in Originalverpackungen oder geeigneten Behältern gelagert werden.
- Ein längeres Öffnen des Geräts kann zu einem erheblichen Anstieg der Temperatur in den Fächern des Geräts führen.
- Reinigen Sie regelmäßig Oberflächen, die mit Lebensmitteln in Kontakt kommen können, sowie zugängliche Ablaufsysteme.

Gerät sicher aufstellen und anschließen



WARNUNG! Nichtbeachtung dieser Warnungen kann zum Tod oder schwerer Verletzung führen.

Brandgefahr

- Achten Sie beim Transport darauf, den Gerätekreislauf nicht zu beschädigen.
- Achten Sie beim Aufstellen des Geräts darauf, dass das Netzkabel nicht eingeklemmt oder beschädigt wird.
- Platzieren Sie keine Steckdosenverteiler oder tragbare Stromversorgungen hinter dem Gerät.



ACHTUNG! Beschädigungsgefahr

Überhitzungsgefahr!

- Achten Sie stets darauf, dass beim Betrieb entstehende Wärme ausreichend abgeführt werden kann. Sorgen Sie dafür, dass das Gerät in ausreichendem Abstand zu Wänden oder Gegenständen steht, sodass die Luft zirkulieren kann.
- Damit das Kältemittel ordnungsgemäß zirkulieren kann, darf das Gerät einen Neigungswinkel von 3° nicht überschreiten. Stellen Sie das Gerät mit Hilfe einer Wasserwaage waagrecht ab.

- Lagern Sie rohes Fleisch und rohen Fisch in geeigneten Behältern im Gerät, so dass sie nicht mit anderen Lebensmitteln in Berührung kommen oder auf diese tropfen.
- Wenn das Gerät längere Zeit einer Raumtemperatur unter +10 °C ausgesetzt ist, kann eine gleichmäßige Regelung der Frosterfachttemperatur nicht gewährleistet werden. Dies kann zu einem möglichen Temperaturanstieg im Frosterfach und einem Auftauen des eingelagerten Gutes führen.
- Wenn das Gerät über längere Zeiträume leer bleibt:
 - Schalten Sie das Gerät aus.
 - Tauen Sie das Gerät ab.
 - Reinigen und trocknen Sie das Gerät.
 - Lassen Sie die Tür offenstehen, um Schimmelbildung im Gerät zu verhindern.



VORSICHT! Nichtbeachtung dieser Hinweise kann zu geringer oder mittelschwerer Verletzung führen.

Verletzungsgefahr

- Schließen Sie die Gerätetür vor Fahrtbeginn und verriegeln Sie sie.
- Das Kühlaggregat an der Rückseite des Geräts wird im Betrieb sehr heiß. Schützen Sie sich vor dem Kontakt mit hitzeführenden Teilen bei entnommenen Lüftungsgittern.



ACHTUNG! Beschädigungsgefahr

- Vergewissern Sie sich, dass die Spannungsangabe auf dem Typenschild mit der Versorgungsspannung übereinstimmt.
- Schließen Sie das Gerät nur wie folgt an:
 - Gleichstromsteckdose: Verwenden Sie nur Kabel mit einem geeigneten Leitungsquerschnitt.
 - Wechselstromsteckdose: Verwenden Sie nur das im Lieferumfang enthaltene Wechselstromkabel.
- Ziehen Sie den Stecker nie am Anschlusskabel aus der Steckdose.
- Wenn das Gerät an eine Gleichstromsteckdose angeschlossen ist: Wählen Sie den Betrieb mit Gleichstrom (Batteriebetrieb) nur, wenn Sie einen Batteriewächter verwenden oder der Fahrzeuggenerator ausreichende Spannung liefert.

- Wenn das Gerät an eine Gleichstromsteckdose angeschlossen ist: Klemmen Sie das Gerät ab oder schalten Sie es aus, wenn Sie den Motor ausschalten. Anderenfalls kann die Fahrzeugbatterie entladen werden.
- Achten Sie darauf, dass die Lüftungsöffnungen nicht abgedeckt werden.
- Benutzen Sie keine elektrischen Geräte innerhalb des Gerätes, außer wenn diese Geräte vom Hersteller dafür empfohlen werden.
- Füllen Sie keine Flüssigkeiten oder Eis in den Innenbehälter.
- Verstauen Sie schwere Gegenstände wie z. B. Flaschen oder Dosen ausschließlich in der Gerätetür, in der Gemüseschale oder auf dem unteren Einlegeboden.

Sicherer Betrieb mit Gas



WARNUNG! Nichtbeachtung dieser Warnungen kann zum Tod oder schwerer Verletzung führen.

Explosionsgefahr

- Das Gerät darf ausschließlich mit dem auf dem Typenschild angegebenen Druck betrieben werden. Verwenden Sie nur festeingestellte Druckregler, die den nationalen Vorschriften entsprechen. Verwenden Sie einen festeingestellten DIN-DVGW-anerkannten Druckregler gemäß DIN EN 16129.
- Das Gerät darf beim Betrieb mit Gas **ausschließlich** im Freien verwendet werden.
- **Erstickenungsgefahr!**
Der Betrieb des Geräts mit Gas in einem unbelüfteten Bereich führt zu Sauerstoffmangel in diesem Bereich.
- Verwenden Sie das Gerät nicht mit Gas in unbelüfteten Bereichen wie geschlossenen Räumen, Zelten, Kraftfahrzeugen, Wohnmobilen, Wohnwagen, Schiffen, Yachten, Booten und LKW-Kabinen.
- Stellen Sie das Gerät nicht in der Nähe von entzündlichen Materialien (Papier, trockenes Laub, Textilien) auf.
- Halten Sie brennbare Gegenstände vom Brenner fern.
- Bewahren Sie Flüssiggasflaschen **niemals** an unbelüfteten Plätzen oder unterhalb Bodenniveau (trichterförmige Erdmulden) auf.

- Schützen Sie Flüssiggasflaschen vor direkter Sonneneinstrahlung. Die Temperatur darf 50 °C nicht überschreiten.
- Prüfen Sie das Gerät niemals mit einer offenen Flamme auf Undichtigkeit.
- Wenn Sie Gasgeruch wahrnehmen:
 - Schließen Sie den Absperrhahn der Gasversorgung und das Flaschenventil.
 - Betätigen Sie keine elektrischen Schalter.
 - Löschen Sie offene Flammen.
 - Lassen Sie die Gasanlage von einem Fachbetrieb prüfen.
- Lassen Sie das Gerät im Gasbetrieb nicht unbeaufsichtigt laufen.



ACHTUNG! Beschädigungsgefahr

Verwenden Sie nur Propan- oder Butangas (kein Erdgas).

Bestimmungsgemäßer Gebrauch

Das mobile Kühlgerät ist für den Einsatz im Haushalt und ähnliche Anwendungen vorgesehen, wie:

- Personalküchen in Geschäften, Büros und anderen Arbeitsumgebungen
- Landwirtschaftliche Gebäude
- Hotels, Motels und andere wohnungsähnliche Einrichtungen
- „Bed and Breakfast“ u. ä.
- Catering und ähnliche Anwendungen außerhalb des Einzelhandels

Das Gerät eignet sich für:

- mobiler Einsatz
- Kühlen und Lagern von Lebensmitteln sowie Lagern von Tiefkühlwaren
- Betrieb mit Gleichstrom, Wechselstrom oder Gas

Das Gerät ist **nicht** für folgende Verwendungszwecke geeignet:

- Verwendung als Einbaugerät
- Lagerung von Medikamenten
- Lagerung von ätzenden oder lösungsmittelhaltigen Stoffen

Dieses Produkt ist nur für den angegebenen Verwendungszweck und die Anwendung gemäß dieser Anleitung geeignet.

Dieses Handbuch enthält Informationen, die für die ordnungsgemäße Installation und den ordnungsgemäßen Betrieb des Geräts erforderlich sind. Installationsfehler und/oder ein nicht ordnungsgemäßer Betrieb oder eine nicht ordnungsgemäße Wartung haben eine unzureichende Leistung und u. U. einen Ausfall des Geräts zur Folge.

Der Hersteller übernimmt keine Haftung für Verletzungen oder Schäden am Produkt, die durch Folgendes entstehen:

- Unsachgemäße Montage oder falscher Anschluss, einschließlich Überspannung
- Unsachgemäße Wartung oder Verwendung von anderen als den vom Hersteller gelieferten Original-Ersatzteilen
- Veränderungen am Produkt ohne ausdrückliche Genehmigung des Herstellers
- Verwendung für andere als die in der Anleitung beschriebenen Zwecke

Dometic behält sich das Recht vor, das Erscheinungsbild des Produkts und dessen technische Daten zu ändern.

Aufstellung und Bedienung

Gehen Sie wie in Seite 5 bis Seite 13 dargestellt vor:

- Gerät aufstellen: Abb. **1**
- Gerät an Gleichstrom anschließen: Abb. **2**
- Gerät an Wechselstrom anschließen: Abb. **3**
- Gerät an Gas anschließen: Abb. **4** bis Abb. **5**
- Einschalten bei Stromversorgung mit 12 V: Abb. **6**
- Einschalten bei Stromversorgung mit 240 V: Abb. **7**
- Einschalten bei Gasversorgung: Abb. **8**
- Lebensmittel einlagern: Abb. **9**
- Gerät ausschalten: Abb. **10**
- Gasfilter wechseln: Abb. **11**
- Zündbatterie austauschen: Abb. **12**

Gewährleistung

Es gilt die gesetzliche Gewährleistungsfrist. Sollte das Produkt defekt sein, wenden Sie sich bitte an Ihren Fachhändler oder an die Niederlassung des Herstellers in Ihrem Land (siehe dometic.com/dealer).

Bitte senden Sie bei einem Reparatur- bzw. Garantieantrag folgende Unterlagen mit dem Produkt ein:

- eine Kopie der Rechnung mit Kaufdatum,
- einen Reklamationsgrund oder eine Fehlerbeschreibung.

Entsorgung

► Geben Sie das Verpackungsmaterial möglichst in den entsprechenden Recycling-Müll.



Wenn Sie das Produkt endgültig außer Betrieb nehmen, informieren Sie sich bitte beim nächsten Recyclingcenter oder bei Ihrem Fachhändler über die zutreffenden Entsorgungsvorschriften.



Schützen Sie Ihre Umwelt!

Akkus und Batterien gehören nicht in den Hausmüll.

Geben Sie bitte Ihre defekten Akkus oder verbrauchten Batterien beim Händler oder bei einer Sammelstelle ab.

Veillez lire et suivre attentivement l'ensemble des instructions, directives et avertissements figurant dans ce manuel afin de vous assurer que vous installez, utilisez et entretenez le produit correctement à tout moment. Ces instructions DOIVENT rester avec ce produit.

En utilisant le produit, vous confirmez par la présente que vous avez lu attentivement l'ensemble des instructions, directives et avertissements et que vous comprenez et acceptez de respecter les modalités et conditions énoncées dans le présent document. Vous acceptez d'utiliser ce produit uniquement pour l'usage et l'application prévus et conformément aux instructions, directives et avertissements figurant dans le manuel du produit, ainsi qu'à toutes les lois et réglementations applicables. Si vous ne lisez et ne respectez pas les instructions et les avertissements figurant dans ce manuel, vous risquez de vous blesser ou de blesser d'autres personnes, d'endommager votre produit ou d'endommager d'autres biens à proximité. Le présent manuel produit, y compris les instructions, directives et avertissements, ainsi que la documentation associée peuvent faire l'objet de modifications et de mises à jour. Pour obtenir des informations actualisées sur le produit, rendez-vous sur documents.dometic.com, dometic.com.

Documents associés



Pour obtenir le mode d'emploi détaillé et les caractéristiques techniques du produit, rendez-vous sur :

documents.dometic.com/?object_id=74832.

Consignes de sécurité



AVERTISSEMENT !

Respectez également les consignes de sécurité référencées

page 3 et 4.

Sécurité générale



AVERTISSEMENT ! Le non-respect de ces mises en garde peut entraîner des blessures graves, voire mortelles.

Risque d'électrocution

- Si l'appareil présente des dégâts visibles, ne le mettez pas en service.
- Si le câble de raccordement CA de l'appareil est endommagé, il doit être remplacé par le fabricant, son service après-vente ou une personne de qualification similaire, afin d'éviter tout danger.
- Seul un personnel qualifié est habilité à effectuer des réparations sur l'appareil. Des réparations inadéquates peuvent engendrer des risques considérables.

Risque d'explosion

Ne stockez aucune substance explosive comme p. ex. des aérosols contenant des agents propulseurs inflammables dans l'appareil.

Risque d'incendie

Le liquide réfrigérant contenu dans le circuit de réfrigération est hautement inflammable. En cas de dégât sur le circuit de réfrigération (odeur d'ammoniac) :

- Éteignez l'appareil.
- Évitez toute flamme nue et/ou étincelle.
- Aérez bien la pièce.

Risque pour la santé

- N'ouvrez jamais l'unité de l'absorbeur. Il se trouve sous haute pression et peut provoquer des blessures s'il est ouvert.
- Cet appareil peut être utilisé par des enfants âgés de 8 ans et plus et des personnes ayant des capacités physiques, sensorielles ou mentales réduites ou un manque d'expérience et de connaissances, s'ils sont sous surveillance ou ont reçu des instructions sur l'utilisation de l'appareil en toute sécurité et comprennent les risques impliqués.
- Les enfants ne doivent pas jouer avec cet appareil.
- Le nettoyage et l'entretien ne doivent pas être effectués par des enfants sans surveillance.
- Les enfants âgés de 3 à 8 ans peuvent charger et décharger les appareils.

Risque d'enfermement pour les enfants

- Veillez à ce que les étagères soient montées et à ce que les enfants ne puissent pas s'enfermer dans l'appareil.
- Avant de mettre au rebut votre ancien réfrigérateur :
 - Démontez les tiroirs.
 - Laissez les clayettes dans le réfrigérateur, afin que les enfants ne puissent pas entrer dedans.



ATTENTION ! Le non-respect de ces consignes de sécurité peut entraîner des blessures légères à modérées.

Risque de blessure

- Ne touchez pas la charnière.
- Ne vous appuyez pas sur la porte de l'appareil lorsqu'elle est ouverte.



AVIS ! Risque d'endommagement

- La lampe doit uniquement être remplacée par le fabricant, un technicien du service après-vente ou toute autre personne de qualification similaire afin d'éviter tout danger.
- Lors du nettoyage de véhicule à proximité de la zone de la grille d'aération, n'utilisez pas de nettoyeur à haute pression.
- Montez les couvercles d'hivernage de la grille d'aération (accessoires) si le véhicule est nettoyé de l'extérieur ou n'est pas mis en service pendant une période prolongée.
- L'appareil n'est pas adapté au transport de matières caustiques ou contenant des solvants.
- L'isolation de l'appareil contient un gaz inflammable (cyclopentane) et nécessite des procédures d'élimination spéciales. À la fin de son cycle de vie, déposez l'appareil dans un centre recyclage approprié.
- Veillez à ce que l'évacuation de la condensation soit toujours propre.
- Ne plongez jamais l'appareil dans l'eau.
- Tenez le dispositif et les câbles à l'abri de la chaleur et de l'humidité.
- L'appareil ne doit pas être exposé à la pluie.

Positionnement et raccordement sécurisés de l'appareil



AVERTISSEMENT ! Le non-respect de ces mises en garde peut entraîner des blessures graves, voire mortelles.

Risque d'incendie

- Lors du transport, veillez à ne pas endommager le circuit de l'appareil.
- Veillez à ne pas coincer ni endommager le cordon d'alimentation lors de la mise en place de l'appareil.
- Ne placez pas de multiprises portables ou de blocs d'alimentation portables à l'arrière de l'appareil.



AVIS ! Risque d'endommagement

Risque de surchauffe !

Veillez toujours à ce que la chaleur produite lors du fonctionnement puisse se dissiper suffisamment. Veillez à ce que l'appareil se trouve à une distance suffisante des murs ou des objets, de sorte que l'air puisse circuler.

- Pour que le frigorigène puisse circuler correctement, l'appareil ne doit pas dépasser un angle d'inclinaison de 3°. Pour ce faire, placez l'appareil à l'horizontale à l'aide d'un niveau à bulle.
- Lors du transport, ne fixez l'appareil que par le corps de l'appareil. Ne le fixez jamais au module de l'absorbant, aux ailettes de refroidissement, aux conduites de gaz, à la porte ou au panneau de commande.
- Ne montez pas l'appareil près de flammes nues ou d'autres sources de chaleur (chauffage, fours à gaz, etc.).
- Pour raccorder l'appareil au courant alternatif, veuillez utiliser exclusivement la prise de courant correspondante.
- Demandez au constructeur de votre véhicule si la gestion de la batterie de votre véhicule arrête les appareils pour protéger la batterie.
- Placez la porte de l'appareil et la porte du congélateur en position hiver si vous n'utilisez pas le réfrigérateur pendant une période prolongée. Cela évite la formation de moisissures.

Consignes de sécurité concernant le fonctionnement de l'appareil



AVERTISSEMENT ! Le non-respect de ces mises en garde peut entraîner des blessures graves, voire mortelles.

Risque d'électrocution

- Avant de mettre l'appareil en service, assurez-vous que la ligne d'alimentation électrique et le connecteur sont secs.
- Coupez l'alimentation en courant de l'appareil
 - avant tout nettoyage et entretien
 - après chaque utilisation

Risque pour la santé

- Veuillez vérifier si la puissance frigorifique de l'appareil de réfrigération correspond à la température de conservation recommandée pour les aliments que vous souhaitez conserver au frais.
- N'utilisez l'appareil que dans des lieux bien aérés.
- Faites toujours fonctionner l'appareil avec une seule source d'énergie.
- Les aliments doivent être conservés dans leur emballage d'origine ou dans des récipients appropriés.

- Une ouverture prolongée peut entraîner une augmentation significative de la température dans les compartiments de l'appareil.
- Nettoyez régulièrement les surfaces qui entrent en contact avec les aliments, ainsi que les systèmes de drainage accessibles.
- Stockez la viande et le poisson crus dans des récipients appropriés à l'intérieur de l'appareil de façon à ce qu'ils ne soient pas en contact avec d'autres aliments ou ne gouttent pas sur ceux-ci.
- Si l'appareil est exposé de manière prolongée à une température ambiante inférieure à +10 °C, une régulation de température uniforme ne peut être garantie dans le compartiment congélation. Cela peut entraîner une augmentation de la température et la décongélation des produits stockés.
- Si l'appareil est laissé vide pendant une longue période :
 - Éteignez l'appareil.
 - Dégivrez l'appareil.
 - Nettoyez et séchez l'appareil.
 - Laissez la porte ouverte pour éviter que des moisissures ne se développent dans l'appareil.



ATTENTION ! Le non-respect de ces consignes de sécurité peut entraîner des blessures légères à modérées.

Risque de blessure

- Fermez et verrouillez la porte de l'appareil avant le début du trajet.
- Le groupe frigorifique situé à l'arrière de l'appareil devient très chaud pendant le fonctionnement. Protégez-vous du contact avec des pièces conductrices de chaleur quand les grilles d'aération sont retirées.



AVIS ! Risque d'endommagement

- Vérifiez que la tension indiquée sur la plaque signalétique correspond à l'alimentation électrique dont vous disposez.
- Raccordez l'appareil uniquement comme indiqué ci-dessous :
 - Prise de courant continu : utilisez uniquement des câbles de section appropriée.
 - Prise de courant alternatif : utilisez uniquement le câble de raccordement fourni à la livraison.

- Ne tirez jamais sur le câble de raccordement pour sortir la fiche de la prise.
- Si l'appareil est raccordé à une prise de courant continu : Sélectionnez uniquement le mode d'alimentation CC (batterie) en cas d'utilisation d'un protecteur de batterie ou si le véhicule fournit une tension suffisante.
- Si l'appareil est raccordé à une prise de courant continu : Débranchez ou éteignez l'appareil lorsque vous éteignez le moteur. Dans le cas contraire, il se peut que la batterie se décharge.
- Assurez-vous que les ouvertures d'aération ne sont pas recouvertes.
- N'utilisez aucun dispositif électrique à l'intérieur de l'appareil, sauf si le fabricant le recommande.
- Ne remplissez pas le bac intérieur de substances liquides ou de glace.
- Stockez uniquement les objets lourds, tels que les bouteilles ou canettes, dans la porte de l'appareil, dans le compartiment à légumes ou sur la grille inférieure.

Utilisation sécurisée en mode gaz



AVERTISSEMENT ! Le non-respect de ces mises en garde peut entraîner des blessures graves, voire mortelles.

Risque d'explosion

- Utilisez uniquement l'appareil avec la pression indiquée sur la plaque signalétique. Utilisez uniquement des régulateurs de pression à réglage fixe correspondant aux prescriptions nationales. Utilisez un détendeur à réglage fixe certifié DIN DVGW en conformité avec la norme DIN EN 16129.
- En mode gaz, utilisez **uniquement l'appareil en extérieur.**
- **Risque d'étouffement !**
L'exploitation de l'appareil au gaz entraîne un manque d'oxygène dans des aires non aérées.
- N'utilisez pas l'appareil en mode gaz dans des espaces non aérés tels que des pièces fermées, des tentes, des véhicules, des camping-cars, des caravanes, des navires, bateaux et yachts, ou encore des cabines de poids lourds.
- Ne placez pas l'appareil à proximité de matériaux inflammables (papier, feuilles mortes, textiles).
- Éloignez tout objet inflammable du brûleur.

- N'entrez jamais les bouteilles de gaz liquide à des endroits mal aérés ou sous le niveau du sol (dans des trous en forme d'entonnoir).
- Protégez les bouteilles de gaz liquide d'un rayonnement solaire direct. La température ne doit pas dépasser 50 °C.
- Ne contrôlez jamais l'étanchéité de l'appareil à l'aide d'une flamme nue.
- Si vous sentez une odeur de gaz :
 - Fermez le robinet d'arrêt de l'alimentation en gaz et la vanne de la bouteille.
 - N'actionnez aucun interrupteur.
 - Éteignez les flammes nues.
 - Faites contrôler l'installation de gaz par une entreprise spécialisée.
- Ne laissez pas l'appareil fonctionner sans surveillance lorsqu'il est en mode gaz.



AVIS ! Risque d'endommagement

Utilisez uniquement du gaz propane ou butane (pas de gaz naturel).

Usage conforme

L'appareil de réfrigération mobile est destiné à être utilisé dans des applications domestiques et similaires, telles que :

- les réfectoires destinés au personnel des magasins, des bureaux et autres environnements de travail
- les maisons d'hôtes
- les hôtels, motels et autres environnements de type résidentiel
- les gîtes et environnements similaires
- la restauration et les applications similaires non liées à la vente au détail

L'appareil est conçu pour :

- L'utilisation en camping
- Réfrigération et stockage d'aliments frais et surgelés
- Alimentation en courant continu, courant alternatif ou gaz

L'appareil n'est **pas** conçu pour :

- Utilisation comme appareil encastré
- Le stockage de médicaments

- Le stockage de substances corrosives ou contenant des solvants

Ce produit convient uniquement à l'usage et à l'application prévus, conformément au présent manuel d'instructions.

Ce manuel fournit les informations nécessaires à l'installation et/ou à l'utilisation correcte de l'appareil. Une installation, une utilisation ou un entretien inappropriés entraînera des performances insatisfaisantes et une éventuelle défaillance.

Le fabricant décline toute responsabilité en cas de blessure ou de dommage résultant :

- d'un montage ou d'un raccordement incorrect, y compris d'une surtension
- d'un entretien inadapté ou de l'utilisation de pièces de rechange autres que les pièces de rechange d'origine fournies par le fabricant
- de modifications apportées au produit sans autorisation explicite du fabricant
- d'usages différents de ceux décrits dans ce manuel

Dometic se réserve le droit de modifier l'apparence et les spécifications produit.

Installation et utilisation

Procédez comme indiqué page 5 à page 13 :

- Mise en place de l'appareil : fig. **1**
- Raccordement de l'appareil à une alimentation CC : fig. **2**
- Raccordement de l'appareil à une alimentation CA : fig. **3**
- Raccordement de l'appareil à une alimentation en gaz : fig. **4** – fig. **5**
- Activation de l'alimentation 12 V : fig. **6**
- Activation de l'alimentation 240 V : fig. **7**
- Activation de l'alimentation en gaz : fig. **8**
- Stockage d'aliments : fig. **9**
- Mise hors service de l'appareil : fig. **10**
- Changement du filtre à gaz : fig. **11**
- Remplacement de la pile d'allumage : fig. **12**

Garantie

La période de garantie légale s'applique. Si le produit est défectueux, veuillez contacter votre revendeur ou la filiale locale du fabricant (voir dometic.com/dealer).

Pour toutes réparations ou autres prestations de garantie, veuillez joindre à l'appareil les documents suivants :

- une copie de la facture avec la date d'achat
- un motif pour la réclamation ou une description du dysfonctionnement

Mise au rebut

► Jetez les emballages dans les conteneurs de déchets recyclables prévus à cet effet.



Lorsque vous mettez votre produit définitivement hors service, informez-vous auprès du centre de recyclage le plus proche ou auprès de votre revendeur spécialisé sur les prescriptions relatives au retraitement des déchets.



Protégez l'environnement !

Les piles et les batteries usagées ne sont pas des déchets ménagers.
Rapportez les piles défectueuses ou les batteries usagées à votre revendeur ou à un centre de collecte.

Lea atentamente estas instrucciones y siga las indicaciones, directrices y advertencias incluidas en este manual para asegurarse de que instala, utiliza y mantiene correctamente el producto en todo momento. Estas instrucciones DEBEN permanecer con este producto.

Al utilizar el producto, usted confirma que ha leído cuidadosamente todas las instrucciones, directrices y advertencias, y que entiende y acepta cumplir los términos y condiciones aquí establecidos. Usted se compromete a utilizar este producto solo para el propósito y la aplicación previstos y de acuerdo con las instrucciones, directrices y advertencias establecidas en este manual del producto, así como de acuerdo con todas las leyes y reglamentos aplicables. La no lectura y observación de las instrucciones y advertencias aquí expuestas puede causarle lesiones a usted o a terceros, daños en el producto o daños en otras propiedades cercanas. Este manual del producto, incluyendo las instrucciones, directrices y advertencias, y la documentación relacionada, pueden estar sujetos a cambios y actualizaciones. Para obtener información actualizada sobre el producto, visite la página documents.dometic.com, dometic.com.

Documentos relacionados



Encontrará instrucciones de uso detalladas e información sobre datos técnicos en documents.dometic.com/?object_id=74832.

Indicaciones de seguridad



¡ADVERTENCIA!

Tenga en cuenta también las indicaciones de seguridad de la

página 3 a la página 4.

Seguridad general



¡ADVERTENCIA! El incumplimiento de estas advertencias podría acarrear la muerte o lesiones graves.

Riesgo de electrocución

- No ponga el aparato en funcionamiento si presenta desperfectos visibles.
- Si el cable de alimentación de corriente alterna de este aparato está dañado, para evitar posibles peligros deberá ser sustituido por el fabricante, el servicio de atención al cliente o una persona con cualificación similar.
- Solo el personal cualificado podrá realizar reparaciones en el aparato. Las reparaciones inadecuadas pueden conllevar peligros considerables.

Peligro de explosión

No guarde en el aparato sustancias con peligro de explosión, tales como aerosoles con agente espumante inflamable.

Peligro de incendio

El refrigerante del circuito de refrigeración es altamente inflamable. Si el circuito de refrigeración está dañado (desprende olor a amoníaco), tome las siguientes medidas:

- Desconecte el aparato.
- Evite el fuego abierto y las chispas.
- Ventile bien la habitación.

Riesgo para la salud

- No abra nunca el grupo absorbedor. Está bajo alta presión y puede causar lesiones si se abre.
- Este aparato puede ser utilizado por menores a partir de 8 años y personas con capacidad física, sensorial o mental reducida, o con falta de experiencia y conocimientos, siempre que lo hagan bajo supervisión o hayan recibido instrucciones relativas al uso del mismo de manera segura y entendiendo los riesgos asociados.
- No deje que los niños jueguen con el aparato.
- Los menores no deberán limpiar ni realizar el mantenimiento de usuario sin la debida supervisión.
- Los menores de 3 a 8 años pueden introducir y extraer productos del aparato.

¡Peligro para los niños!

- Asegúrese de montar y asegurar las bandejas de tal manera que los niños no puedan encerrarse dentro del aparato.
- Antes de desechar su vieja nevera:
 - Desmante los cajones.
 - Deje las bandejas dentro de la nevera para que los niños no puedan entrar en ella.



¡ATENCIÓN! El incumplimiento de estas precauciones podría acarrear lesiones moderadas o leves.

Peligro de lesiones

- No introduzca la mano en el tope de la tapa.
- No se apoye en la puerta cuando esté abierta.



¡AVISO! Peligro de daños

- Únicamente el fabricante, un técnico de mantenimiento o una persona con cualificación similar podrá cambiar la bombilla con el fin de evitar peligros.

- No emplee limpiadores de agua a alta presión en el área de la rejilla de ventilación al limpiar el vehículo.
- Coloque las cubiertas de invierno de la rejilla de ventilación (opcionales) cuando limpie el vehículo por fuera o cuando no vaya a utilizarlo durante un período de tiempo prolongado.
- El aparato no es adecuado para transportar materiales cáusticos o materiales que contengan disolventes.
- El aislamiento del aparato contiene ciclopentano y requiere una gestión de residuos especial. Deposite el aparato en un centro de reciclaje adecuado al finalizar su vida útil.
- Mantenga siempre limpias la abertura de condensación.
- No sumerja nunca el aparato en agua.
- Proteja el aparato y los cables contra el calor y la humedad.
- El aparato no debe quedar en modo alguno expuesto a la lluvia.
- Sujete el aparato solamente por el cuerpo cuando lo transporte. No sujete nunca el aparato por el grupo absorbedor, las aletas de refrigeración, los conductos de gas, la puerta o el panel de control.
- No coloque el aparato cerca de una llama o una fuente de calor (calefacción, luz solar directa, estufas de gas, etc.).
- Conecte el aparato a la red de corriente alterna solo con el cable de conexión de corriente alterna correspondiente.
- Pregunte al fabricante de su vehículo si este dispone de un gestor de batería que apague los aparatos como medida de protección de la batería.
- Coloque la puerta de la nevera y del congelador en la posición de invierno si no va a utilizar el aparato durante un período de tiempo prolongado. De esta forma, se evita que se forme moho.

Colocación y conexión segura del aparato



¡ADVERTENCIA! El incumplimiento de estas advertencias podría acarrear la muerte o lesiones graves.

Peligro de incendio

- Asegúrese de no dañar los circuitos cuando transporte el aparato.
- Al colocar el aparato, asegúrese de que el cable de suministro eléctrico no se haya quedado atrapado o esté dañado.
- No coloque varias tomas o suministros de corriente portátiles detrás del aparato.



¡AVISO! Peligro de daños

¡Riesgo de sobrecalentamiento!

- Asegúrese de que quede garantizada en todo momento una evacuación adecuada del calor que se genera durante el funcionamiento. Asegúrese también de que el aparato guarde la suficiente distancia respecto a paredes u objetos, de forma que el aire pueda circular.
- Para que el refrigerante pueda circular correctamente, el ángulo de inclinación del aparato no debe superar los 3 grados. Utilice un nivel para asegurarse de que el aparato no quede inclinado.

Uso seguro del aparato



¡ADVERTENCIA! El incumplimiento de estas advertencias podría acarrear la muerte o lesiones graves.

Riesgo de electrocución

- Antes de la puesta en funcionamiento, asegúrese de que el cable de alimentación y la clavija de enchufe estén secos.
- Desconecte el aparato de la alimentación de corriente
 - antes de realizar cualquier tarea de limpieza o mantenimiento
 - después de cada uso

Riesgo para la salud

- Compruebe si la potencia de refrigeración del aparato cumple los requisitos de los alimentos que desea enfriar.
- Utilice este aparato solo en lugares bien ventilados.
- Utilice la nevera con una única fuente de energía.
- Los alimentos solo se pueden almacenar con su envase original o en recipientes adecuados.
- Dejar el aparato abierto durante un período prolongado puede producir un incremento considerable de la temperatura en los compartimentos del mismo.

- Limpie periódicamente las superficies que puedan entrar en contacto con alimentos y los sistemas de desagüe accesibles.
- Guarde la carne y el pescado crudos en recipientes adecuados para que no entren en contacto con otros alimentos ni puedan gotear sobre ellos.
- Si el aparato se expone a una temperatura ambiente inferior a +10 °C durante un periodo prolongado, no se puede garantizar una temperatura uniforme en el congelador. Esto puede causar un aumento de la temperatura en el congelador y los productos depositados en él podrían descongelarse.
- Si el aparato se deja vacío durante un tiempo prolongado:
 - Desconecte el aparato.
 - Descongele el aparato.
 - Limpie y seque el aparato.
 - Deje la puerta abierta para evitar que se genere moho dentro del aparato.



¡ATENCIÓN! El incumplimiento de estas precauciones podría acarrear lesiones moderadas o leves.

Peligro de lesiones

- Cierre y bloquee la puerta del aparato antes de iniciar un viaje.
- La unidad de refrigeración situada en la parte trasera del aparato se calienta mucho durante el funcionamiento. Protéjase cuando manipule las piezas calientes al retirar las rejillas de ventilación.



¡AVISO! Peligro de daños

- Compruebe que el valor de tensión indicado en la placa de características se corresponde con el del suministro de energía.
- Conecte el aparato solo del siguiente modo:
 - Toma de corriente continua: Utilice solamente cables con la sección adecuada.
 - Toma de corriente alterna: Utilice únicamente el cable de corriente alterna suministrado.
- No desenchufe nunca la clavija de la caja de enchufe tirando del cable.
- Si el aparato está conectado a una toma de corriente continua: Seleccione solo el funcionamiento con corriente continua (modo de batería) si utiliza un controlador de batería o si el alternador del vehículo aporta la suficiente tensión.

- Si el aparato está conectado a una toma de corriente continua: Desconecte el aparato o apáguelo cuando apague el motor. De lo contrario, podría descargarse la batería del vehículo.
- Evite que se obstruyan las aberturas de ventilación.
- No utilice dispositivos eléctricos en el interior del aparato a no ser que estén recomendados por el fabricante.
- No introduzca líquidos ni hielo en el recipiente interior.
- Coloque los objetos más pesados, como botellas o latas, solo en la puerta de la nevera, en el compartimento de verduras o en el estante inferior.

Funcionamiento seguro con gas



¡ADVERTENCIA! El incumplimiento de estas advertencias podría acarrear la muerte o lesiones graves.

Peligro de explosión

- Solo debe utilizar el aparato a la presión indicada en la placa de características. Utilice solo presostatos fijos que cumplan las normativas nacionales. Utilice un regulador de presión de ajuste fijo homologado según DIN-DVGW que cumpla la norma DIN EN 16129.
- Cuando el aparato funciona con gas, **solo** puede utilizarse al aire libre.
- **¡Peligro de asfixia!**
El uso del aparato con gas en un área sin ventilación causa falta de oxígeno en esa área.
- No haga funcionar el aparato con gas en lugares con falta de ventilación, como habitaciones cerradas, tiendas de campaña, vehículos a motor, caravanas, autocaravanas, barcos, yates, embarcaciones o cabinas de camión.
- No coloque el aparato cerca de materiales inflamables (papel, hojas secas, materiales textiles, etc.).
- Mantenga los objetos inflamables lejos del quemador.
- **Nunca** guarde las bombonas de gas licuado en lugares sin ventilación ni bajo el nivel del suelo (agujeros en forma de embudo realizados en el suelo).
- Proteja las bombonas de gas licuado de la luz solar directa. La temperatura no debe superar los 50 °C.

- No compruebe nunca la hermeticidad del aparato con fuego abierto.
- Si nota olor a gas:
 - Cierre la llave de paso del suministro de gas y la válvula de la bombona.
 - No accione interruptores eléctricos.
 - Apague todas las llamas.
 - Solicite que una empresa especializada compruebe la instalación de gas.
- No deje el aparato desatendido cuando funcione con gas.



¡AVISO! Peligro de daños

Utilice solo gas propano o butano (no gas natural).

Uso previsto

Este aparato móvil de refrigeración está diseñado para el uso doméstico y aplicaciones similares, como por ejemplo:

- Áreas de cocina para el personal en tiendas, oficinas y otros entornos de trabajo
- Casas rurales
- Clientes de hoteles, moteles y otros entornos de tipo residencial
- Ambientes de tipo "bed and breakfast"
- Catering y aplicaciones similares no comerciales

El aparato es adecuado para:

- Uso en campings
- Refrigeración y almacenamiento de comida y almacenamiento de comida congelada
- Funcionamiento con corriente continua, alterna o gas

El aparato **no** es adecuado para:

- Utilización como electrodoméstico empotrado
- Almacenar medicamentos
- Almacenar sustancias cáusticas o que contengan disolventes

Este producto solo es apto para el uso previsto y la aplicación de acuerdo con estas instrucciones.

Este manual proporciona la información necesaria para la correcta instalación y/o funcionamiento del aparato. Una instalación deficiente y/o un uso y mantenimiento inadecuados conllevan un rendimiento insatisfactorio y posibles fallos.

El fabricante no se hace responsable de ninguna lesión o daño en el producto ocasionados por:

- Un montaje o conexión incorrectos, incluido un exceso de tensión
- Un mantenimiento incorrecto o el uso de piezas de repuesto distintas de las originales proporcionadas por el fabricante
- Modificaciones realizadas en el producto sin el expreso consentimiento del fabricante
- Uso con una finalidad distinta de la descrita en las instrucciones

Dometic se reserva el derecho de cambiar la apariencia y las especificaciones del producto.

Instalación y funcionamiento

Siga las indicaciones de página 5 a página 13:

- Ubicación del aparato: fig. **1**
- Conexión del aparato a corriente continua: fig. **2**
- Conexión del aparato a corriente alterna: fig. **3**
- Conexión del aparato al suministro de gas: fig. **4** – fig. **5**
- Encendido a 12 voltios: fig. **6**
- Encendido a 240 voltios: fig. **7**
- Encendido a gas: fig. **8**
- Ubicación de los alimentos: fig. **9**
- Poner el aparato fuera de servicio: fig. **10**
- Cambio del filtro de gas: fig. **11**
- Sustitución de la batería de encendido: fig. **12**

Garantía

Se aplica el período de garantía estipulado por la ley. Si el producto está defectuoso, contacte con el punto de venta o con la sucursal del fabricante en su país (visite dometic.com/dealer).

Para tramitar la reparación y la garantía, incluya los siguientes documentos cuando envíe el aparato:

- Una copia de la factura con fecha de compra
- El motivo de la reclamación o una descripción de la avería

Gestión de residuos

- Deseche el material de embalaje en el contenedor de reciclaje correspondiente.



Cuando vaya a desechar definitivamente el producto, infórmese en el centro de reciclaje más cercano o en un comercio especializado sobre las normas pertinentes de eliminación de materiales.



¡Proteja el medio ambiente!

Las baterías y pilas no son basura doméstica.

Entregue las baterías defectuosas o las pilas vacías en un establecimiento o depósitos en un contenedor especializado.

Leia atentamente as presentes instruções e siga todas as instruções, orientações e avisos incluídos neste manual, de modo a garantir a correta instalação, utilização e manutenção do produto. É OBRIGATÓRIO manter estas instruções junto com o produto.

Ao utilizar o produto, está a confirmar que leu atentamente todas as instruções, orientações e avisos, e que compreende e aceita cumprir os termos e condições estabelecidos no presente manual. Aceita utilizar este produto exclusivamente para o fim e a aplicação a que se destina e de acordo com as instruções, orientações e avisos estabelecidos neste manual, assim como de acordo com todas as leis e regulamentos aplicáveis. Caso não leia nem siga as instruções e os avisos aqui estabelecidos, poderá sofrer ferimentos pessoais ou causar ferimentos a terceiros e o produto ou outros materiais nas proximidades poderão ficar danificados. Este manual do produto, incluindo as instruções, orientações e avisos, bem como a documentação relacionada, podem estar sujeitos a alterações e atualizações. Para consultar as informações atualizadas do produto, visite documents.dometic.com, dometic.com.

Documentos relacionados



Pode encontrar o manual de instruções detalhado e informações sobre os dados técnicos online em documents.dometic.com/?object_id=74832.

Indicações de segurança



AVISO!

Respeite igualmente as indicações de segurança incluídas nas

páginas 3 a 4.

Princípios básicos de segurança



AVISO! O incumprimento destes avisos poderá resultar em morte ou ferimentos graves.

Risco de eletrocussão

- Não coloque o aparelho em funcionamento se este apresentar danos visíveis.
- Se o cabo de alimentação de corrente alternada deste aparelho estiver danificado, terá de ser substituído pelo fabricante, pelo serviço de assistência técnica ou por uma pessoa com qualificações equivalentes, a fim de evitar riscos de segurança.
- As reparações neste aparelho só podem ser realizadas por técnicos qualificados. Reparções inadequadas podem dar origem a perigos consideráveis.

Perigo de explosão

Não guarde quaisquer substâncias potencialmente explosivas no aparelho, tais como latas de spray com carburante inflamável.

Perigo de incêndio

O agente de refrigeração no circuito de refrigeração é altamente inflamável. Em caso de danos no circuito de refrigeração (cheiro a amoníaco):

- Desligue o aparelho.
- Evite chamas abertas e faíscas.
- Ventile bem o espaço.

Risco para a saúde

- Nunca abra o agregado de absorção. Este encontra-se sob elevada pressão e pode originar ferimentos durante a abertura.
- Este aparelho pode ser utilizado por crianças a partir dos 8 anos e pessoas com capacidades físicas, sensoriais ou mentais reduzidas ou sem experiência e conhecimento se forem supervisionadas ou receberem instruções sobre a utilização do aparelho de forma segura e compreenderem os perigos implicados.
- As crianças não podem brincar com o aparelho.
- A limpeza e a manutenção não podem ser efetuadas por crianças sem supervisão.
- Crianças com idades entre os 3 e os 8 anos podem colocar e tirar itens de aparelhos.

Perigo para crianças

- Certifique-se de que as prateleiras estão instaladas e fixadas para que não seja possível crianças trancarem-se dentro do aparelho.
- Antes da eliminação do seu frigorífico usado:
 - Desmonte as gavetas.
 - Deixe ficar as prateleiras no frigorífico para que as crianças não entrem nele.



PRECAUÇÃO! O incumprimento destas advertências poderá resultar em ferimentos ligeiros ou moderados.

Risco de ferimentos

- Não mexa no encosto da tampa com os dedos.
- Não se apoie na porta do aparelho aberta.



NOTA! Risco de danos

- Para evitar quaisquer perigos, a lâmpada só pode ser substituída pelo fabricante, por um agente de assistência ou por uma pessoa com qualificação semelhante.

- Na limpeza do veículo, não utilize quaisquer aparelhos de limpeza de alta pressão na zona da grelha de ventilação.
- Monte as coberturas de inverno da grelha de ventilação (acessórios) quando limpar o exterior do veículo ou se não o utilizar durante um longo período de tempo.
- O aparelho não é adequado para o transporte de materiais cáusticos ou materiais que contêm solventes.
- O isolamento do aparelho contém ciclopentano inflamável e requer medidas de eliminação especiais. No fim da respetiva vida útil, encaminhe o aparelho para um centro de reciclagem adequado.
- Mantenha a abertura de condensação sempre limpa.
- Nunca mergulhe o aparelho em água.
- Proteja o aparelho e os cabos do calor e da humidade.
- O aparelho não pode ser exposto à chuva.
- Para que o líquido refrigerante possa circular corretamente, o aparelho não pode exceder um ângulo de inclinação de 3°. Coloque o aparelho em posição plana com o auxílio de um nível de bolha de ar.
- Durante o transporte, pegue no aparelho apenas pelo corpo. Nunca pegue no aparelho pelo agregado de absorção, pelas aletas de refrigeração, pelos tubos de gás, pela porta ou pelo painel de comando.
- Não coloque o aparelho na proximidade de chamas abertas ou de outras fontes de calor (aquecedores, radiação solar direta, fornos a gás, etc.).
- Ligue o aparelho à rede de corrente alternada apenas com o cabo de conexão de corrente alternada fornecido.
- Consulte o fabricante do seu veículo para esclarecer se a gestão de bateria do veículo desliga os aparelhos como medida de proteção da bateria.
- Coloque a porta do aparelho e a porta do congelador na posição de inverno se prever que não vai utilizar o aparelho durante um longo período. Assim, evita-se a formação de bolor.

Instalar e ligar o aparelho à fonte de energia com segurança



AVISO! O incumprimento destes avisos poderá resultar em morte ou ferimentos graves.

Perigo de incêndio

- Assegure-se de que o circuito do aparelho não sofre danos durante o transporte.
- Ao colocar o aparelho, certifique-se de que o cabo de alimentação não fica preso nem é danificado.
- Não coloque tomadas múltiplas ou fontes de alimentação portáteis na parte de trás do aparelho.



NOTA! Risco de danos

Risco de sobreaquecimento!

Certifique-se sempre de que a ventilação é suficiente para que o calor gerado durante o funcionamento seja devidamente dissipado.

Certifique-se de que o aparelho está posicionado a uma distância suficiente de paredes ou objetos de modo a que o ar possa circular livremente.

Utilização segura do aparelho



AVISO! O incumprimento destes avisos poderá resultar em morte ou ferimentos graves.

Risco de eletrocussão

- Antes de colocar o aparelho em funcionamento, certifique-se de que a conexão e a ficha estão secas.
- Desligue o aparelho da fonte de energia
 - Antes de cada limpeza e manutenção
 - Depois de cada utilização

Risco para a saúde

- Verifique se a potência de refrigeração do aparelho cumpre os requisitos dos géneros alimentícios que pretende refrigerar.
- Utilize o aparelho apenas em locais bem ventilados.
- Opere sempre o aparelho apenas com uma fonte de energia.
- Os géneros alimentícios só podem ser guardados nas embalagens originais ou em recipientes adequados.

- Abrir o aparelho durante longos períodos pode provocar um aumento significativo da temperatura nos compartimentos do aparelho.
- Limpe regularmente as superfícies que entram em contacto com géneros alimentícios e os sistemas de drenagem acessíveis.
- Guarde a carne e o peixe crus no aparelho em recipientes adequados de forma a que não entrem em contacto com outros géneros alimentícios nem pinguem para os mesmos.
- Se o aparelho estiver exposto a uma temperatura ambiente inferior a +10 °C durante um período de tempo prolongado, não é possível garantir uma temperatura constante do congelador. Tal pode levar a um aumento da temperatura no congelador e ao descongelamento dos alimentos guardados.
- Se o aparelho ficar vazio durante longos períodos:
 - Desligue o aparelho.
 - Descongele o aparelho.
 - Limpe e seque o aparelho.
 - Deixe a porta aberta para impedir o crescimento de bolor no interior do aparelho.
- Se o aparelho estiver ligado a uma saída de corrente contínua: Selecione o funcionamento a corrente contínua (funcionamento com bateria) apenas se estiver a utilizar um monitorizador da bateria ou se o gerador do seu veículo fornecer uma tensão suficiente.
- Se o aparelho estiver ligado a uma saída de corrente contínua: Desconecte ou desligue o aparelho se desligar o motor. Caso contrário, a bateria do veículo pode descarregar.
- Certifique-se de que as aberturas de ventilação não estão tapadas.
- Não utilize aparelhos elétricos dentro do aparelho, exceto se esses aparelhos elétricos tiverem sido recomendados para o efeito pelo fabricante.
- Não verta líquidos nem gelo para dentro do recipiente interior.
- Guarde os objetos pesados como, por exemplo, garrafas ou latas, exclusivamente na porta do aparelho, no compartimento para legumes ou na prateleira inferior.



PRECAUÇÃO! O incumprimento destas advertências poderá resultar em ferimentos ligeiros ou moderados.

Risco de ferimentos

- Feche e tranque a porta do aparelho antes de iniciar uma viagem.
- O agregado de refrigeração situado na parte posterior do aparelho aquece bastante durante o funcionamento. Proteja-se contra o contacto com componentes quentes ao remover as grelhas de ventilação.



NOTA! Risco de danos

- Verifique se a indicação de tensão na chapa de características corresponde à da alimentação de energia.
- Conecte o aparelho apenas do seguinte modo:
 - Saída de corrente contínua: Utilize apenas cabos com uma secção transversal apropriada.
 - Saída de corrente alternada: Utilize apenas o cabo de corrente alternada fornecido.
- Nunca retire a ficha da tomada puxando pelo cabo.



AVISO! O incumprimento destes avisos poderá resultar em morte ou ferimentos graves.

Perigo de explosão

- Coloque o aparelho em funcionamento exclusivamente com a pressão indicada na chapa de características. Utilize apenas um regulador de pressão com ajuste fixo em conformidade com as normas nacionais. Utilize um regulador de pressão reconhecido pela DIN-DVGW, com ajuste fixo, em conformidade com a norma DIN EN 16129.
- No caso do funcionamento a gás, o aparelho **apenas** pode ser utilizado no exterior.
- **Perigo de asfixia!**
A operação do aparelho com gás num espaço não ventilado provoca insuficiência de oxigénio neste espaço.
- Não opere o aparelho com gás em zonas não ventiladas como espaços fechados, tendas, automóveis, caravanas, autocaravanas, barcos, iates, bagageiras ou cabinas de camiões.
- Não coloque o aparelho na proximidade de materiais facilmente inflamáveis (papel, folhas secas, têxteis).
- Mantenha os objetos inflamáveis longe do queimador.

- **Nunca** guarde botijas de gás liquefeito em locais sem ventilação ou abaixo do nível do solo (cavidades no solo em forma de funil).
- Proteja as botijas de gás liquefeito da luz solar direta. A temperatura não pode exceder os 50 °C.
- Nunca use uma chama aberta para verificar o aparelho quanto a fugas.
- Se se aperceber de cheiro a gás:
 - Feche a torneira de bloqueio do abastecimento de gás e a válvula da botija.
 - Não acione quaisquer interruptores elétricos.
 - Extinga as chamas abertas.
 - Solicite a verificação do sistema de gás por um especialista.
- Não deixe o aparelho a funcionar com gás sem supervisão.



NOTA! Risco de danos

Utilize apenas gás propano ou butano (nunca gás natural).

Utilização adequada

O aparelho de refrigeração móvel está concebido para ser utilizado em aplicações domésticas e semelhantes, tais como:

- Áreas de cozinha do pessoal em estabelecimentos comerciais, escritórios e outros ambientes de trabalho
- Explorações agrícolas
- Por clientes em hotéis, motéis e outros ambientes de tipo residencial
- Ambientes do tipo “bed and breakfast”
- Aplicações do ramo de catering e em aplicações semelhantes do comércio grossista

O aparelho é adequado para:

- Utilizar em campismo
- Refrigerar e armazenar alimentos, assim como armazenar alimentos congelados
- Funcionar com corrente contínua, corrente alternada ou gás

O aparelho **não** é adequado para:

- Utilizar como aparelho de encastrar
- Armazenar medicamentos

- Armazenar substâncias cáusticas ou substâncias que contenham solventes

Este produto destina-se exclusivamente à aplicação e aos fins pretendidos com base nestas instruções.

Este manual fornece informações necessárias para proceder a uma instalação e/ou a uma operação adequadas do aparelho. Uma instalação e/ou uma operação ou manutenção incorretas causarão um desempenho insatisfatório e uma possível avaria.

O fabricante não aceita qualquer responsabilidade por danos ou prejuízos no produto resultantes de:

- Montagem ou ligação incorreta, incluindo sobreensões
- Manutenção incorreta ou utilização de peças sobressalentes não originais fornecidas pelo fabricante
- Alterações ao produto sem autorização expressa do fabricante
- Utilização para outras finalidades que não as descritas no presente manual

A Dometic reserva-se o direito de alterar o design e as especificações do produto.

Instalar e utilizar

Proceda conforme ilustrado na página 5 a página 13:

- Instalar o aparelho: fig. **1**
- Ligar o aparelho à alimentação de corrente contínua: fig. **2**
- Ligar o aparelho à alimentação de corrente alternada: fig. **3**
- Ligar o aparelho ao gás: fig. **4** – fig. **5**
- Ligar a fonte de alimentação de 12 V: fig. **6**
- Ligar a fonte de alimentação de 240 V: fig. **7**
- Ligar o abastecimento de gás: fig. **8**
- Colocar alimentos no aparelho: fig. **9**
- Desligar o aparelho: fig. **10**
- Substituir o filtro de gás: fig. **11**
- Substituir a bateria de ignição: fig. **12**

Garantia

Aplica-se o prazo de garantia legal. Se o produto apresentar defeitos, contacte o seu revendedor ou a filial do fabricante no seu país (ver dometic.com/dealer).

Para fins de reparação ou de garantia, terá de enviar também os seguintes documentos:

- Uma cópia da fatura com a data de aquisição
- Um motivo de reclamação ou uma descrição da falha

Eliminação

► Sempre que possível, coloque o material de embalagem no respectivo contentor de reciclagem.



Para colocar o aparelho definitivamente fora de funcionamento, por favor, informe-se junto do centro de reciclagem mais próximo ou revendedor sobre as disposições de eliminação aplicáveis.



Proteja o meio ambiente!

As baterias e pilhas não devem ser eliminadas em conjunto com o lixo doméstico.

Entregue as baterias e pilhas danificadas ou gastas no ponto de compra ou num pilhão.

Si prega di leggere attentamente e di seguire tutte le istruzioni, le linee guida e le avvertenze incluse in questo manuale del prodotto, al fine di garantire che il prodotto venga sempre installato, utilizzato e mantenuto nel modo corretto. Queste istruzioni DEVONO essere conservate insieme al prodotto.

Utilizzando il prodotto, l'utente conferma di aver letto attentamente tutte le istruzioni, le linee guida e le avvertenze e di aver compreso e accettato di rispettare i termini e le condizioni qui espressamente indicati. L'utente accetta di utilizzare questo prodotto solo per lo scopo e l'applicazione previsti e in conformità con le istruzioni, le linee guida e le avvertenze indicate nel presente manuale del prodotto, nonché in conformità con tutte le leggi e i regolamenti applicabili. La mancata lettura e osservanza delle istruzioni e delle avvertenze qui espressamente indicate può causare lesioni personali e a terzi, danni al prodotto o ad altre proprietà nelle vicinanze. Il presente manuale del prodotto, comprese le istruzioni, le linee guida e le avvertenze e la relativa documentazione possono essere soggetti a modifiche e aggiornamenti. Per informazioni aggiornate sul prodotto, si prega di visitare il sito documents.dometic.com, dometic.com.

Documenti correlati



Il manuale di istruzioni nella versione dettagliata e le informazioni sulle specifiche tecniche sono disponibili online all'indirizzo:

documents.dometic.com/?object_id=74832.

Istruzioni per la sicurezza



AVVERTENZA!

Osservare anche le istruzioni per la sicurezza

da pag. 3 a pag. 4.

Sicurezza generale



AVVERTENZA! La mancata osservanza di queste avvertenze potrebbe causare la morte o lesioni gravi.

Pericolo di scosse elettriche

- Non mettere in funzione l'apparecchio se presenta danni visibili.
- Per evitare possibili pericoli legati alla sicurezza, se il cavo di collegamento CA del presente apparecchio è danneggiato deve essere sostituito dal produttore, dal suo servizio assistenza clienti oppure da personale ugualmente qualificato.
- Questo apparecchio può essere riparato solo da personale qualificato. Riparazioni eseguite non correttamente possono comportare rischi considerevoli.

Pericolo di esplosione

Non conservare nell'apparecchio sostanze esplosive come ad es. bombolette spray con gas propellente infiammabile.

Pericolo di incendio

Il refrigerante nel circuito di raffreddamento è altamente infiammabile. In caso di danneggiamento del circuito di raffreddamento (odore di ammoniaca):

- Spegnerne l'apparecchio.
- Evitare fiamme libere e scintille.
- Aerare bene l'ambiente.

Pericolo per la salute

- Non aprire mai il gruppo di assorbimento perché è sotto alta pressione e, se aperto, può causare lesioni.
- Questo apparecchio può essere utilizzato da bambini di età superiore a 8 anni, da persone con ridotte capacità fisiche, sensoriali o mentali o da persone inesperte o prive di conoscenze specifiche solo se sorvegliate o preventivamente istruite sull'impiego dell'apparecchio in sicurezza e se informate dei pericoli legati al prodotto stesso.
- I bambini non devono giocare con l'apparecchio.
- La pulizia e la manutenzione non devono essere eseguite da bambini senza la presenza di un adulto.
- I bambini dai 3 agli 8 anni possono riempire e svuotare gli apparecchi.

Situazione di pericolo per i bambini

- Assicurarsi che i ripiani siano montati e fissati in modo che i bambini non possano chiudersi all'interno dell'apparecchio.
- Prima di smaltire il vostro vecchio frigorifero:
 - Smontare il cassetto.
 - Lasciare i piani d'appoggio all'interno del frigorifero in modo che i bambini non possano usarli come mezzi di salita.



ATTENZIONE! La mancata osservanza di queste precauzioni potrebbe causare lesioni da lievi a moderate.

Pericolo di lesioni

- Non mettere le dita nella cerniera.
- Non appoggiarsi sulla porta dell'apparecchio aperta.



AVVISO! Rischio di danni

- Per prevenire rischi, la lampadina può essere sostituita soltanto dal produttore, da un tecnico di assistenza o da una persona dotata di qualifica analoga.
- Per la pulizia del veicolo, non utilizzare un'idropulitrice nel settore della griglia di ventilazione.
- Montare le coperture invernali della griglia di ventilazione (accessori) se il veicolo viene pulito esternamente o se non viene utilizzato per lungo tempo.
- L'apparecchio non è adatto per il trasporto di materiale caustico o materiali contenenti solventi.
- L'isolamento dell'apparecchio contiene ciclopentano infiammabile e richiede procedure speciali per lo smaltimento. Al termine del suo ciclo di vita consegnare l'apparecchio presso un centro di riciclaggio adatto.
- Mantenere l'apertura della condensa sempre pulita.
- Non immergere mai l'apparecchio in acqua.
- Proteggere l'apparecchio e i cavi dal caldo e dall'umidità.
- Non esporre l'apparecchio alla pioggia.

Posizionamento e collegamento dell'apparecchio in modo sicuro



AVVERTENZA! La mancata osservanza di queste avvertenze potrebbe causare la morte o lesioni gravi.

Pericolo di incendio

- Prestare attenzione durante il trasporto a non danneggiare il circuito dell'apparecchio.
- Durante il posizionamento dell'apparecchio, assicurarsi che il cavo di alimentazione non venga bloccato o danneggiato.
- Non collocare prese multiple portatili o alimentatori portatili sul retro dell'apparecchio.



AVVISO! Rischio di danni

Rischio di surriscaldamento!

Assicurarsi sempre che il calore generato durante il funzionamento possa fuoriuscire liberamente. Fare in modo che la distanza fra l'apparecchio e le pareti o altri oggetti sia tale da permettere all'aria di circolare.

- Affinché il refrigerante possa circolare correttamente, l'apparecchio non deve superare un angolo di inclinazione di 3°. Posizionare l'apparecchio in orizzontale servendosi di una livella ad acqua.
- Fissare l'apparecchio durante il trasporto solo utilizzando la struttura centrale. Non tenerlo fermo mai per il gruppo di assorbimento, le alette di raffreddamento, i tubi del gas, la porta o il pannello di controllo.
- Non posizionare l'apparecchio in prossimità di fiamme libere o di altre fonti di calore (radiatori, diretta esposizione ai raggi solari, forni a gas ecc.).
- Collegare l'apparecchio alla presa di corrente alternata usando esclusivamente il cavo previsto per l'allacciamento alla corrente alternata.
- Chiedere al costruttore del veicolo se la gestione della batteria del veicolo in questione spegne i dispositivi per proteggere la batteria.
- Mettere la porta dell'apparecchio e la porta della cella freezer in posizione invernale se non si intende utilizzare l'apparecchio per periodo di tempo prolungato. In questo modo si evita la formazione di muffa.

Sicurezza durante l'utilizzo del dispositivo



AVVERTENZA! La mancata osservanza di queste avvertenze potrebbe causare la morte o lesioni gravi.

Pericolo di scosse elettriche

- Prima della messa in funzione dell'apparecchio, assicurarsi che la rete di alimentazione e la spina siano asciutte.
- Scollegare l'apparecchio dall'alimentazione elettrica
 - prima di effettuare la pulizia e la cura
 - e dopo ogni utilizzo

Pericolo per la salute

- Accertarsi che la capacità di raffreddamento del frigorifero sia adatta agli alimenti da refrigerare.
- Mettere in funzione l'apparecchio solo in luoghi ben aerati.
- Azionare l'apparecchio sempre e unicamente con una sola fonte di energia.
- I prodotti alimentari possono essere conservati solo nelle confezioni originali o in contenitori adeguati.

- L'apertura prolungata dell'apparecchio può causare un significativo aumento della temperatura nei vani dell'apparecchio.
- Pulire regolarmente le superfici che vengono a contatto con gli alimenti e i sistemi di scarico accessibili.
- Conservare la carne e il pesce crudi nell'apparecchio in contenitori idonei, in modo che non vengano a contatto con altri alimenti o non vi gocciolino sopra.
- Se l'apparecchio viene esposto a una temperatura ambiente inferiore a +10 °C per un periodo prolungato, non può essere garantita una temperatura omogenea nella cella freezer. Ciò può causare un aumento della temperatura nella cella freezer e lo scongelamento dei cibi ivi conservati.
- Se l'apparecchio viene lasciato vuoto per lunghi periodi:
 - Spegnerlo l'apparecchio.
 - Sbrinare l'apparecchio.
 - Pulire e asciugare l'apparecchio.
 - Lasciare la porta aperta per evitare lo sviluppo di muffe all'interno dell'apparecchio.
- Se l'apparecchio è collegato a un presa di corrente continua: selezionare il funzionamento a corrente continua (funzionamento a batteria) solo se viene impiegato un dispositivo di controllo automatico della batteria o se il generatore del veicolo produce sufficiente tensione.
- Se l'apparecchio è collegato a un presa di corrente continua: Staccare l'apparecchio o spegnerlo quando il motore viene spento. Altrimenti la batteria si può scaricare.
- Fare attenzione che le aperture di aerazione non vengano coperte.
- Non utilizzare apparecchi elettrici all'interno dell'apparecchio, a eccezione di quelli appositamente consigliati dallo stesso produttore.
- Non versare nessun tipo di liquido o ghiaccio nel contenitore interno.
- Collocare oggetti pesanti come ad es. bottiglie o scatolette esclusivamente nella porta dell'apparecchio, nello scomparto verdure o sul ripiano inferiore.



ATTENZIONE! La mancata osservanza di queste precauzioni potrebbe causare lesioni da lievi a moderate.

Pericolo di lesioni

- Chiudere e bloccare la porta dell'apparecchio prima di mettersi in viaggio.
- Il gruppo di raffreddamento sul lato posteriore dell'apparecchio diventa molto caldo durante il funzionamento. Proteggersi dal contatto con parti calde quando si estraggono le griglie di ventilazione.



AVVISO! Rischio di danni

- Confrontare i dati della tensione riportati sulla targhetta con quelli delle prese e degli attacchi disponibili.
- Collegare l'apparecchio solo nel modo seguente:
 - Presa CC: utilizzare solo cavi con una sezione adatta.
 - Presa CA: utilizzare solo il cavo di corrente alternata fornito in dotazione
- Non estrarre mai la spina dalla presa tirando il cavo.



AVVERTENZA! La mancata osservanza di queste avvertenze potrebbe causare la morte o lesioni gravi.

Pericolo di esplosione

- Far funzionare l'apparecchio esclusivamente con la pressione indicata sulla targhetta. Utilizzare solo regolatori di pressione, a taratura fissa, conformi alle norme nazionali. Impiegare un regolatore di pressione, a regolazione fissa, con certificazione DIN-DVGW in conformità a DIN EN 16129.
- Nel funzionamento a gas, l'apparecchio deve essere utilizzato **esclusivamente** all'aria aperta.
- **Pericolo di asfissia!**
Il funzionamento del dispositivo con gas in un ambiente non aerato causa mancanza di ossigeno.
- Non utilizzare l'apparecchio con l'alimentazione a gas in ambienti non aerati come stanze chiuse, tende da campeggio, veicoli, caravan, camper, navi, yacht, barche e cabine di autocarri.
- Non mettere il dispositivo in prossimità di materiali infiammabili (carta, fogliame secco, prodotti tessili).

- Tenere lontani gli oggetti infiammabili dal bruciatore.
- Non conservare **mai** le bombole di gas liquido in luoghi non aerati o al di sotto del livello del terreno (avvallamenti del terreno a forma di imbuto).
- Tenere le bombole di gas liquido lontano dalla luce diretta del sole. La temperatura non deve superare i 50 °C.
- Non usare mai fiamme libere per controllare eventuali difetti di tenuta dell'apparecchio.
- In caso di odore di gas:
 - Chiudere il rubinetto di intercettazione dell'alimentazione del gas e la valvola della bombola.
 - Non accendere nessun interruttore.
 - Spegnere eventuali fiamme libere.
 - Far verificare l'impianto a gas da un esperto autorizzato.
- Non lasciare l'apparecchio in funzione senza sorveglianza quando è in modalità gas.



AVVISO! Rischio di danni

Impiegare solo propano o butano (non metano).

Conformità d'uso

L'apparecchio di refrigerazione mobile è destinato ad essere utilizzato in applicazioni domestiche e simili, quali:

- aree cucina del personale in negozi, uffici e altri ambienti di lavoro
- agriturismi
- clienti in hotel, motel e altri ambienti di tipo residenziale
- ambienti di tipo bed and breakfast
- catering e applicazioni simili non al dettaglio.

Il dispositivo è adatto per:

- Uso in campeggio
- Raffreddamento e conservazione degli alimenti e conservazione di alimenti surgelati
- funzionamento con alimentazione CC, CA o gas.

Il dispositivo **non** è adatto per:

- utilizzo come apparecchio da incasso
- conservare medicinali

- conservare sostanze corrosive o sostanze contenenti solventi.

Questo prodotto è adatto solo per l'uso e l'applicazione previsti in conformità con le presenti istruzioni.

Questo manuale fornisce le informazioni necessarie per la corretta installazione e/o il corretto utilizzo dell'apparecchio. Un'installazione errata e/o un utilizzo o una manutenzione impropri comporteranno prestazioni insoddisfacenti e un possibile guasto.

Il produttore non si assume alcuna responsabilità per eventuali lesioni o danni al prodotto che derivino da:

- montaggio o collegamento non corretti, compresa la sovratensione
- manutenzione non corretta o uso di ricambi diversi da quelli originali forniti dal produttore
- modifiche al prodotto senza esplicita autorizzazione del produttore
- impiego per scopi diversi da quelli descritti nel presente manuale.

Dometic si riserva il diritto di modificare l'aspetto e le specifiche del prodotto.

Installazione e funzionamento

Procedere come illustrato da pagina 5 a pagina 13:

- Posizionamento dell'apparecchio: fig. **1**
- Collegamento dell'apparecchio all'alimentazione CC: fig. **2**
- Collegamento dell'apparecchio all'alimentazione CA: fig. **3**
- Collegamento dell'apparecchio al gas: fig. **4** – fig. **5**
- Accensione dell'alimentazione elettrica da 12 V: fig. **6**
- Accensione dell'alimentazione elettrica da 240 V: fig. **7**
- Accensione dell'alimentazione del gas: fig. **8**
- Posizionamento di alimenti: fig. **9**
- Spegnimento dell'apparecchio: fig. **10**
- Sostituzione del filtro del gas: fig. **11**

- Sostituzione della batteria di accensione: fig. **12**

Garanzia

Vale il termine di garanzia previsto dalla legge. Se il prodotto è difettoso, contattare il rivenditore di fiducia o la filiale del costruttore nel proprio Paese (vedi dometic.com/dealer).

Per la gestione della riparazione e della garanzia è necessario inviare la seguente documentazione insieme al dispositivo:

- una copia della ricevuta con la data di acquisto,
- il motivo della richiesta o la descrizione del guasto.

Smaltimento

► Raccogliere il materiale di imballaggio possibilmente negli appositi contenitori di riciclaggio.



Quando il prodotto viene messo fuori servizio definitivamente, informarsi al centro di riciclaggio più vicino, oppure presso il proprio rivenditore specializzato, sulle prescrizioni adeguate concernenti lo smaltimento.



Protegete l'ambiente!

Gli accumulatori e le batterie non devono essere raccolti insieme ai rifiuti domestici.

Consegnare gli accumulatori difettosi o le batterie usate al rivenditore o presso un centro di raccolta.

Lees alle instructies, richtlijnen en waarschuwingen in deze gebruiksaanwijzing en volg ze zorgvuldig op om ervoor te zorgen dat u het product te allen tijde op de juiste manier installeert, gebruikt en onderhoudt. Deze instructies MOETEN bij dit product bewaard worden.

Door het product te gebruiken, bevestigt u hierbij dat u alle instructies, richtlijnen en waarschuwingen zorgvuldig hebt gelezen en dat u de voorwaarden en condities zoals die hierin zijn beschreven begrijpt en accepteert. U gaat ermee akkoord dit product alleen te gebruiken voor het beoogde doel en de beoogde toepassing en in overeenstemming met de instructies, richtlijnen en waarschuwingen zoals beschreven in deze gebruiksaanwijzing en in overeenstemming met de geldende wet- en regelgeving. Het niet lezen en opvolgen van de hierin beschreven instructies en waarschuwingen kan leiden tot letsel voor uzelf en anderen, schade aan uw product of schade aan andere eigendommen in de omgeving. Deze gebruiksaanwijzing, met inbegrip van de instructies, richtlijnen en waarschuwingen, en de bijbehorende documentatie kan onderhevig zijn aan wijzigingen en updates. Actuele productinformatie vindt u op documents.dometic.com, dometic.com.

Bijbehorende documenten



De gedetailleerde gebruiksaanwijzing en informatie over technische gegevens vindt u online op

documents.dometic.com/?object_id=74832.

Veiligheidsaanwijzingen



WAARSCHUWING!

Neem ook de veiligheidsaanwijzingen in acht op

pagina 3–4.

Algemene veiligheid



WAARSCHUWING! Het niet in acht nemen van deze waarschuwingen kan leiden tot ernstig letsel of de dood.

Gevaar voor elektrische schokken

- Gebruik het toestel niet als het zichtbaar beschadigd is.
- Als de wisselstroomkabel van het toestel beschadigd is, moet deze, om gevaren te voorkomen, worden vervangen door de fabrikant, diens klantenservice of een gelijkwaardig gekwalificeerd persoon.
- Dit toestel mag uitsluitend worden gerepareerd door gekwalificeerde personen. Ondeskundige reparaties kunnen leiden tot aanzienlijke gevaren.

Explosiegevaar

Bewaar geen explosiegevaarlijke stoffen zoals bijvoorbeeld spuitbussen met een ontvlambaar drijf-gas in het toestel.

Brandgevaar

Het koelmiddel in de koelkring is licht ontvlambaar. Bij een beschadiging van de koelkring (geur van ammoniak):

- Schakel het toestel uit.
- Vermijd open vuur en vonken.
- Ventileer de ruimte goed.

Gevaar voor de gezondheid

- Open het absorptieaggregaat nooit. Het staat onder hoge druk en kan letsel veroorzaken, als het wordt geopend.
- Dit toestel mag worden gebruikt door kinderen vanaf 8 jaar en ouder evenals door personen met verminderd fysiek, zintuiglijk of mentaal vermogen of gebrek aan kennis en ervaring, mits zij onder toezicht staan of zijn geïnstrueerd in het veilig gebruik van het toestel en zij inzicht hebben in de gevaren die het gebruik van het toestel met zich meebrengt.
- Kinderen mogen niet met het toestel spelen.
- Reiniging en gebruikersonderhoud mogen niet door kinderen zonder toezicht worden uitgevoerd.
- Kinderen van 3 tot 8 jaar mogen toestellen in- en uitruimen.

Gevaar voor kinderen

- Zorg ervoor dat de legplanken zodanig zijn gemonteerd en beveiligd dat kinderen zich niet in het toestel kunnen opsluiten.
- Voor het afvoeren van uw oude koelkast:
 - Demonteer de laden.
 - Laat de legplanken in de koelkast, zodat kinderen er niet in kunnen klimmen.



VOORZICHTIG! Het niet in acht nemen van deze waarschuwingen kan leiden tot licht of matig letsel.

Letselgevaar

- Grijp niet in het scharnier.
- Leun niet op de geopende toesteldeur.



LET OP! Gevaar voor schade

- Om gevaren te voorkomen moet de lamp worden vervangen door de fabrikant, servicemedewerker of een gelijkwaardig gekwalificeerde persoon.
- Gebruik voor voertuigreiniging rond het ventilatierooster geen hogedrukreiniger met water.
- Monteer de winterafdekkingen van het ventilatierooster (toebehoren) als het voertuig van buiten wordt gereinigd of langdurig uit bedrijf wordt genomen.
- Het toestel is niet geschikt voor het transporteren van bijtende materialen of materialen die oplosmiddelen bevatten.
- De isolatie van het toestel bevat ontvlambaar cyclopentaan waarvoor bij de afvoer speciale verwerkingsprocedures gelden. Breng het toestel aan het einde van zijn levensduur naar een erkend afvalverwerkingsbedrijf.
- Houd de condensatieopening altijd schoon.
- Dompel het toestel nooit onder in water.
- Bescherm het toestel en de kabels tegen hitte en vocht.
- Het toestel mag niet aan regen worden blootgesteld.
- Voor een optimale circulatie van het koudemiddel mag de hellingshoek van het toestel maximaal 3° bedragen. Plaats hiervoor het toestel met een waterpas horizontaal.
- Houd het toestel tijdens het transport alleen aan de toestelbehuizing vast. Houd het toestel nooit aan het absorptieaggregaat, de koelribben, gasleidingen, deur of het bedieningspaneel vast.
- Plaats het toestel niet in de buurt van open vuur of andere warmtebronnen (verwarming, direct zonlicht, gasovens etc.).
- Sluit het toestel uitsluitend met de bijbehorende wisselstroomaansluitkabel aan op de wisselstroomcontactdoos.
- Vraag uw voertuigfabrikant of het accumanagementsysteem van uw voertuig de toestellen uitschakelt om de accu te beschermen.
- Zet de toesteldeur en de vriezerdeur in de winterpositie als u de koelkast langdurig niet gaat gebruiken. Zo wordt schimmelvorming voorkomen.

Veiligheid bij het gebruik van het toestel

Toestel veilig plaatsen en aansluiten



WAARSCHUWING! Het niet in acht nemen van deze waarschuwingen kan leiden tot ernstig letsel of de dood.



WAARSCHUWING! Het niet in acht nemen van deze waarschuwingen kan leiden tot ernstig letsel of de dood.

Brandgevaar

- Zorg ervoor dat het toestelcircuit niet beschadigd raakt tijdens het transport.
- Zorg er bij het positioneren van het toestel voor dat de voedingskabel niet verstrikt of beschadigd raakt.
- Plaats geen meervoudige stekkerdozen of draagbare voedingen op de achterkant van het apparaat.

Gevaar voor elektrische schokken

- Let er voor de ingebruikname op dat voedingskabel en stekker droog zijn.
- Ontkoppel het toestel van de stroomvoorziening
 - voor elke reiniging en elk onderhoud
 - na elk gebruik



LET OP! Gevaar voor schade

• Gevaar voor oververhitting!

Let er altijd op dat de warmte die bij het gebruik ontstaat goed afgevoerd kan worden. Zorg ervoor dat het toestel op voldoende afstand tot wanden en andere voorwerpen staat, zodat de lucht kan circuleren.

Gevaar voor de gezondheid

- Controleer of het koelvermogen van het apparaat voldoet aan de eisen van de levensmiddelen die u wilt koelen.
- Gebruik het toestel alleen op goed geventileerde plaatsen.
- Gebruik het koeltoestel alleen met één enkele energiebron.
- Levensmiddelen mogen alleen in de originele verpakking of in geschikte bakken worden bewaard.
- Langdurig openen van het toestel kan leiden tot een aanzienlijke temperatuurstijging in de compartimenten van het toestel.

- Reinig afvoersystemen en oppervlakken die in contact komen met levensmiddelen regelmatig.
- Bewaar rauw vlees en rauwe vis in geschikte bakken in het toestel, zodat contact met andere levensmiddelen niet mogelijk is, ook niet door druppelen.
- As het toestel langdurig wordt blootgesteld aan een ruimtetemperatuur onder +10 °C, kan een gelijkmatige temperatuur in het vriesvak niet worden gegarandeerd. Dit kan leiden tot een temperatuurstijging in het vriesvak waardoor de opgeslagen levensmiddelen kunnen ont-dooien.
- Als het toestel voor een langere periode leeg wordt gehouden:
 - Schakel het toestel uit.
 - Ontdooi het toestel.
 - Reinig en droog het toestel.
 - Laat de deur open om schimmelvorming in het toestel te voorkomen.



VOORZICHTIG! Het niet in acht nemen van deze waarschuwingen kan leiden tot licht of matig letsel.

Letselgevaar

- Sluit en vergrendel de toesteldeur voordat u gaat rijden.
- Het koelaggregaat aan de achterzijde van het toestel wordt tijdens gebruik zeer heet. Zorg ervoor dat u niet in contact kunt komen met hete onderdelen bij het verwijderen van ventilatie-roosters.



LET OP! Gevaar voor schade

- Vergelijk de spanningsgegevens op het typeplaatje met de beschikbare energietoevoer.
- Sluit het toestel alleen als volgt aan:
 - Gelijkstroomcontactdoos: gebruik alleen kabels met een geschikte kabeldiameter.
 - Wisselstroomcontactdoos: gebruik alleen de bijgeleverde wisselstroomkabel.
- Trek de stekker nooit aan de kabel uit het stopcontact.
- Als het toestel op een gelijkstroomcontactdoos is aangesloten: Kies gebruik met gelijkstroom (accubedrijf) alleen als u een accumulator gebruikt of de voertuiggenerator voldoende spanning levert.

- Als het toestel op een gelijkstroomcontactdoos is aangesloten: Ontkoppel het toestel van de accu of schakel het uit wanneer u de motor uitschakelt. Anders kan de voertuigaccu leeg raken.
- Let erop dat de ventilatieopeningen niet worden afgedekt.
- Gebruik geen elektrische toestellen in het toestel, behalve als deze toestellen daarvoor door de fabrikant worden aanbevolen.
- Vul het binnenreservoir niet met vloeistoffen of ijs.
- Bewaar zware voorwerpen zoals flessen of conserven uitsluitend in de toesteldeur, in het groentevak of op de onderste legplank.

Veilig gebruik met gas



WAARSCHUWING! Het niet in acht nemen van deze waarschuwingen kan leiden tot ernstig letsel of de dood.

Explosiegevaar

- Gebruik het toestel uitsluitend met de op het typeplaatje aangegeven druk. Gebruik alleen vast ingestelde drukregelaars die voldoen aan de nationale voorschriften. Gebruik een vast ingestelde DIN-DVGW-erkende drukregelaar conform DIN EN 16129.
- Bij gebruik met gas mag het toestel **uitsluitend** buiten worden gebruikt.
- **Gevaar voor verstikking!**
Gebruik van het apparaat met gas in een ongeventileerd bereik leidt tot zuurstoftekort in dit bereik.
- Gebruik het toestel niet met gas in niet-geventileerde ruimten zoals gesloten ruimten, tenten, motorvoertuigen, campers, caravans, schepen, jachten, laarzen en vrachtwagencabines.
- Plaats het apparaat niet in de buurt van ontvlambare materialen (papier, droge bladeren, textiel).
- Houd ontvlambare voorwerpen uit de buurt van de brander.
- Bewaar de flessen met vloeibaar gas **nooit** op niet-geventileerde plaatsen of onder grondniveau (trechtersvormige kuilen in de grond).
- Bescherm flessen met vloeibaar gas tegen directe zonnestralen. De temperatuur mag niet hoger zijn dan 50 °C.

- Controleer het toestel nooit met open vuur op lekkage.
- Indien u gas ruikt:
 - Sluit de afsluitkraan van de gasverzorging en de flesklep.
 - Bedien geen elektrische schakelaars.
 - Blus open vuur.
 - Laat de gasinstallatie door een vakbedrijf controleren.
- Laat het toestel niet onbeheerd wanneer deze met gas wordt gebruikt.



LET OP! Gevaar voor schade

Gebruik uitsluitend propaan- of butaangas (geen aardgas).

Beoogd gebruik

Het mobiele koelapparaat is bedoeld voor gebruik in huishoudelijke en soortgelijke toepassingen zoals:

- personeelskeukens in winkels, kantoren en andere werkomgevingen
- boerderijen
- klanten in hotels, motels en andere woonomgevingen
- bed and breakfast-accommodaties
- catering en soortgelijke toepassingen anders dan in de detailhandel

Dit toestel is geschikt voor:

- campinggebruik
- Koelen en bewaren van voedsel en bewaren van diepvrieswaren
- gebruik op gelijkstroom, wisselstroom of gas

Het toestel is **niet** geschikt voor:

- Toestel als inbouwtoestel gebruiken
- De opslag van geneesmiddelen
- Opslag van bijtende of oplosmiddelhoudende substanties

Dit product is alleen geschikt voor het beoogde gebruik en de toepassing in overeenstemming met deze gebruiksaanwijzing.

Deze handleiding geeft informatie die nodig is voor een goede installatie en/of bediening van het toestel. Een slechte installatie en/of onjuist gebruik of onderhoud leidt tot onbevredigende prestaties en mogelijke storingen.

De fabrikant aanvaardt geen aansprakelijkheid voor letsel of schade aan het product die het gevolg is van:

- Onjuiste montage of aansluiting, inclusief te hoge spanning
- Onjuist onderhoud of gebruik van andere dan door de fabrikant geleverde originele reserveonderdelen
- Wijzigingen aan het product zonder uitdrukkelijke toestemming van de fabrikant
- Gebruik voor andere doeleinden dan beschreven in deze handleiding

Dometic behoudt zich het recht voor om het uiterlijk en de specificaties van het product te wijzigen.

Vorbereiden en bedienen

Ga te werk zoals afgebeeld op pagina 5 tot pagina 13:

- Toestel opstellen: afb. **1**
- Toestel op gelijkstroom aansluiten: afb. **2**
- Toestel op wisselstroom aansluiten: afb. **3**
- Toestel op gas aansluiten: afb. **4** – afb. **5**
- 12V-voeding inschakelen: afb. **6**
- 240 V-voeding inschakelen: afb. **7**
- Gastoevoer inschakelen: afb. **8**
- Voedsel plaatsen: afb. **9**
- Toestel uitschakelen: afb. **10**
- Gasfilter vervangen: afb. **11**
- Startaccu vervangen: afb. **12**

Garantie

De wettelijke garantieperiode is van toepassing. Als het product defect is, neem dan contact op met de detailhandel of met het filiaal van de fabrikant in uw land (zie dometic.com/dealer).

Stuur voor de afhandeling van reparaties of garantie volgende documenten mee:

- Een kopie van de factuur met datum van aankoop
- De reden voor de claim of een beschrijving van de fout

Afvoer

► Laat het verpakkingsmateriaal indien mogelijk recycleren.



Als u het product definitief buiten bedrijf stelt, informeer dan bij het dichtstbijzijnde recyclingcentrum of uw specialzaak naar de betreffende afvoervoorschriften.



Bescherm uw milieu!

Accu's en batterijen horen niet thuis in het huishoudelijke afval.

Geef uw defecte of verbruikte of defecte accu's bij de leverancier of bij een verzamelpunt af.

Læs og følg alle disse anvisninger, retningslinjer og advarsler i denne produktvejledning grundigt for at sikre, at du altid installerer, bruger og vedligeholder produktet korrekt. Disse anvisninger SKAL opbevares sammen med dette produkt.

Ved at benytte produktet bekræfter du hermed, at du har læst alle anvisninger, retningslinjer og advarsler grundigt, og at du forstår og er indforstået med de vilkår og betingelser, der er fastlagt heri. Du er indforstået med kun at bruge dette produkt til det beregnede formål og anvendelse i overensstemmelse med anvisningerne, retningslinjerne og advarslerne i denne produktvejledning samt i overensstemmelse med alle de gældende love og forskrifter. Manglende læsning og ignorering af disse anvisninger og advarsler kan medføre kvæstelser på dig selv og andre, skade på dit produkt eller skade på anden ejendom i nærheden. Der tages forbehold for eventuelle ændringer og opdateringer af denne produktvejledning samt anvisningerne, retningslinjerne og advarslerne samt den tilhørende dokumentation. Se documents.dometic.com, dometic.com for de nyeste produktinformationer.

Relaterede dokumenter



Du kan finde den detaljerede betjeningsvejledning og oplysninger om de tekniske data online under

documents.dometic.com/?object_id=74832.

Sikkerhedshenvisninger



ADVARSEL!

Overhold også sikkerhedshenvisningerne på

side 3 til side 4.

Grundlæggende sikkerhed



ADVARSEL! Manglende overholdelse af disse advarsler kan medføre dødelige eller alvorlige kvæstelser.

Fare for elektrisk stød

- Hvis apparatet har synlige beskadigelser, må apparatet ikke tages i brug.
- Hvis dette apparats vekselstrømsforbindingskabel er beskadiget, skal det udskiftes af producenten eller dennes kundeservice eller en tilsvarende uddannet person for at forhindre farer.
- Reparationer på dette apparat må kun foretages af kvalificeret personale. Ukorrekte reparationer kan medføre betydelige farer.

Eksplisionsfare

Opbevar ikke eksplosive stoffer som f.eks. spraydåser med en brændbar drivgas i apparatet.

Brandfare

Kølemidlet i kølekredsløbet er letantændeligt. Ved en beskadigelse af kølekredsløbet (ammoniaklugt):

- Sluk apparatet.
- Undgå åben ild og antændelsesgenister.
- Udluft rummet grundigt.

Sundhedsfare

- Åbn aldrig absorptionsaggregatet. Det står under tryk og kan forårsage kvæstelser, når det åbnes.
- Dette apparat kan anvendes af børn over 8 år og personer med reducerede fysiske, sans- eller mentale evner eller uden erfaring eller viden, hvis de er under opsyn eller er blevet instrueret i sikker brug af apparatet og forstår de involverede farer.
- Børn må ikke lege med apparatet.
- Rengøring og vedligeholdelse må ikke udføres af børn uden opsyn.
- Børn i alderen fra 3 til 8 år må fylde og tømme apparaterne.

Fare for børn

- Kontrollér, at hylderne er monteret og sikret korrekt, så børn ikke kan låse sig selv inde i apparatet.
- Før det gamle køleskab bortskaffes:
 - Afrmøntér skuffen.
 - Lad hylderne blive i køleskabet, så børn ikke kan gå ind i det.



FORSIGTIG! Manglende overholdelse af disse forsigtighedshenvisninger kan medføre mindre eller moderate kvæstelser.

Fare for kvæstelser

- Grib ikke ind i hængslet.
- Læn dig ikke op ad apparatets dør, når den er åben.



VIGTIGT! Fare for beskadigelse

- Lampen kan kun udskiftes af producenten, servicerepræsentanten eller en tilsvarende kvalificeret person for at undgå farer.
- Anvend ikke en højtryksrensers med vand i nærheden af ventilationsgitterne ved rengøringen af køretøjet.
- Monter vinterafdækningerne til ventilationsgitteret (tilbehør), når køretøjet rengøres udefra eller tages ud af drift i længere tid.

- Apparatet er ikke egnet til transport af ætsende materialer eller materialer, der indeholder opløsningsmidler.
- Apparatets isolering indeholder brændbar cyklopentan og kræver specielle bortskaffelsesprocedurer. Aflever apparatet på genbrugsstationen ved afslutningen af dets levetid.
- Hold altid kondensationsåbningen ren.
- Dyp aldrig apparatet i vand.
- Beskyt apparatet og kablerne mod varme og fugtighed.
- Apparatet må ikke udsættes for regn.

Sikker placering og tilslutning af apparatet



ADVARSEL! Manglende overholdelse af disse advarsler kan medføre dødelige eller alvorlige kvæstelser.

Brandfare

- Kontrollér, at apparatets kredsløb ikke er blevet beskadiget under transporten.
- Når apparatet positioneres, skal det sikres, at strømledningen sidder i klemme eller beskadiges.
- Placér ikke flere bærbare stikdåser eller bærbare strømforsyninger i bagved apparatet.



VIGTIGT! Fare for beskadigelse

Risiko for overophedning!

- Sørg altid for, at varme, der opstår under driften, kan føres tilstrækkeligt bort. Sørg for, at apparatet har tilstrækkelig afstand til vægge og genstande, så luften kan cirkulere.
- For at kølemidlet kan cirkulere korrekt, må apparatet ikke overskride en hældningsvinkel på 3°.
 - Placér apparatet vandret ved hjælp af et vaterpas.
 - Hold kun apparatet fast på køleskabselementet under transporten. Hold aldrig apparatet fast på absorptionsaggregatet, køleribberne, gasledningerne, døren eller betjeningsblænden.
 - Stil ikke apparatet i nærheden af åben ild eller andre varmekilder (varmeapparater, stærk sol, gasovne osv.).
 - Tilslut kun apparatet til vekselstrømsstikdåsen med det tilhørende vekselstrømsstilslutningskabel.
 - Spørg køretøjsproducenten, om dit køretøjs batterimanagement lukker apparater ned for at beskytte batteriet.

- Anbring apparatets og fryserens dør i vinterpositionen, hvis du ikke vil anvende apparatet i en længere tidsperiode. På den måde undgås det, at der dannes mug.

Sikkerhed under anvendelse af apparatet



ADVARSEL! Manglende overholdelse af disse advarsler kan medføre dødelige eller alvorlige kvæstelser.

Fare for elektrisk stød

- Kontrollér før ibrugtagning, at tilførselsledningen og stikket er tørre.
- Afbryd apparatet fra strømforsyningen
 - før hver rengøring og vedligeholdelse
 - efter hver brug

Sundhedsfare

- Kontrollér, om apparatets kølekapacitet svarer til kravene for fødevarerne, som du vil køle.
- Anvend kun apparatet på steder, der er godt ventileret.
- Tilslut altid kun køleapparatet til én energikilde.
- Madvarer må kun opbevares i original emballage eller egnede beholdere.
- Hvis apparatet er åbent i længere tid, kan temperaturen i apparatets rum stige betydeligt.
- Rengør regelmæssigt overflader, som kan komme i kontakt med levnedsmidler og adgang til kloaksystemer.
- Opbevar råt kød og fisk i egnede beholdere i apparatet, så råt kød og fisk ikke kommer i kontakt med eller kan dryppe ned på andre madvarer.
- Hvis apparatet er udsat for en rumtemperatur under +10 °C i længere tid, kan en ensartet temperatur i fryseboksen ikke garanteres. Det kan medføre, at fryseboksens temperatur forøges, og at de opbevarede varer tør op.
- Hvis apparatet er tomt i længere tid:
 - Sluk apparatet.
 - Sluk for apparatet.
 - Rengør og tør apparatet.
 - Lad døren være åben for at forhindre, at der dannes mug inden i apparatet.



FORSIGTIG! Manglende overholdelse af disse forsigtighedshenvisninger kan medføre mindre eller moderate kvæstelser.

Fare for kvæstelser

- Luk og lås apparatets dør, før du begynder rejsen.
- Køleaggregatet på bagsiden af apparatet bliver meget varmt under driften. Beskyt dig mod kontakt med varmførende dele, når ventilationsgitterene er taget ud.



VIGTIGT! Fare for beskadigelse

- Kontrollér, at spændingsangivelsen på typeskiltet svarer til den fra energiforsyningen.
- Tilslut kun kølecontaineren på følgende måde:
 - Jævnstrømsstik: Anvend kun kabler med et passende tværsnit.
 - Vekselstrømsstik: Anvend kun det medfølgende vekselstrømskabel.
- Træk aldrig stikket ud af stikdåsen med kablet.
- Hvis apparatet er tilsluttet til et jævnstrømsstik: Vælg kun drift med jævnstrøm (batterifunktion), hvis du anvender en batteriovervågning eller hvis køretøjets generator leverer tilstrækkelig spænding.
- Hvis apparatet er tilsluttet til et jævnstrømsstik: Afbryd apparatet, eller sluk det, når motoren standses. I modsat fald kan køretøjsbatteriet blive afladet.
- Ventilationsåbningerne må ikke tildækkes.
- Anvend ikke elektriske apparater i apparatet, medmindre producenten anbefaler disse apparater til det.
- Fyld ikke is eller væsker i den indvendige beholder.
- Opbevar udelukkende tunge genstande som f.eks. flasker eller dåser i apparatets dør, i grøntsagsskuffen eller på den nederste gitterhylde.

Sikker drift med gas



ADVARSEL! Manglende overholdelse af disse advarsler kan medføre dødelige eller alvorlige kvæstelser.

Eksplodingsfare

- Anvend udelukkende apparatet med det tryk, der er angivet på typeskiltet. Anvend kun fast indstillede trykreguleringer, der opfylder de nationale forskrifter. Anvend en fastindstillet DIN-DVGW-godkendt trykregulering iht. DIN EN 16129.
- Apparatet må **kun** anvendes i det fri under gasdrift.
- **Fare for kvælning!**
Anvendelsen af apparatet med gas i et område, der ikke er ventileret, medfører iltmangel i dette område.
- Anvend ikke apparatet med gas i områder, der ikke er ventileret, som f.eks. lukkede rum, telte, motorkøretøjer, autocampere, campingvogne, skibe, yachter, både og lastbilførerrhuse.
- Opstil ikke apparatet i nærheden af brændbare materialer (papir, tørt løv, tekstilprodukter).
- Hold brændbare genstande væk brænderen.
- Opbevar **aldrig** F-gasflasker på steder, der ikke er ventileret, eller under gulvniveau (tragtformede fordybninger i jorden).
- Beskyt F-gasflasker mod direkte sollys. Temperaturen må ikke overskride 50 °C.
- Kontrollér aldrig, om apparatet er utæt, med åben flamme.
- Hvis der lugter af gas:
 - Luk gasforsyningens spærrehane og flaskeventilen.
 - Tryk ikke på en elektrisk kontakt.
 - Sluk åben ild.
 - Lad en fagvirksomhed kontrollere gasanlægget.
- Lad ikke apparatet køre uden opsyn, når det anvender gas.



VIGTIGT! Fare for beskadigelse

Anvend udelukkende propan- eller butangas (ikke naturgas).

Korrekt brug

Det transportable køle-/fryseapparat er beregnet til at blive anvendt i husholdningen og lignende anvendelser som:

- Personalekøkkener i butikker, kontorer og andre arbejdsomgivelser
- Bondegårde
- Kunder på hoteller, moteller og andre typer boligomgivelser
- Bed-and-breakfast-pensioner
- Catering og lignende anvendelse inden for non-retail

Apparatet er egnet til:

- Campingbrug
- Køling og opbevaring af fødevarer og opbevaring af frosne fødevarer
- Drift med jævnstrøm, vekselstrøm eller gas.

Apparatet er **ikke** egnet til:

- Brug som et indbygget apparat
- Opbevaring af medicin
- Opbevaring af ætsende stoffer eller stoffer, som indeholder opløsningsmidler

Dette produkt er kun egnet til dets beregnede formål og anvendelse i overensstemmelse med disse anvisninger.

Denne vejledning giver dig oplysninger om, hvad der er nødvendigt med henblik på en korrekt montering og/eller drift af apparatet. Dårlig montering og/eller ukorrekt drift eller vedligeholdelse medfører utilstrækkelig ydeevne og mulige fejl.

Producenten påtager sig intet ansvar for kvæstelser eller skader i forbindelse med produktet, der skyldes:

- ukorrekt samling eller forbindelse inklusive for høj spænding
- ukorrekt vedligeholdelse eller brug af uoriginale reservedele, der ikke stammer fra producenten
- ændringer på produktet uden udtrykkelig tilladelse fra producenten
- brug til andre formål end dem, der er beskrevet i vejledningen.

Dometic forbeholder sig ret til at ændre produktets udseende og produktspecifikationer.

Opstilling og drift

Fortsæt som vist på side 5 til side 13:

- Placering af apparatet: fig. **1**
- Tilslutning af apparatet til jævnstrøm: fig. **2**
- Tilslutning af apparatet til vekselstrøm: fig. **3**
- Tilslutning af apparatet til gas: fig. **4** – fig. **5**
- Tilkobling af strømforsyning 12 V: fig. **6**
- Tilkobling af strømforsyning 240 V: fig. **7**
- Tilkobling af gasforsyning: fig. **8**
- Ilægning af fødevarer: fig. **9**
- Frakobling af apparatet: fig. **10**
- Udskiftning af gasfilteret: fig. **11**
- Udskiftning af tændingsbatteriet: fig. **12**

Garanti

Den lovbestemte garantiperiode gælder. Hvis produktet er defekt, bedes du kontakte din forhandler eller producentens afdeling i dit land (se dometic.com/dealer).

Ved reparation eller krav om garanti skal du medsende følgende bilag:

- en kopi af regningen med købsdato
- en reklameringsgrund eller en fejlbeskrivelse.

Bortskaffelse

- Bortskaf så vidt muligt emballagen sammen med det tilsvarende genbrugsaffald.



Hvis du tager produktet endegyldigt ud af drift, skal du kontakte det nærmeste recyclingcenter eller din faghandel for at få de pågældende forskrifter om bortskaffelse.



Beskyt miljøet!

Genopladelige og ikke genopladelige batterier hører ikke til i husholdningsaffaldet.

Aflévér defekte genopladelige batterier og brugte batterier hos forhandleren eller ved et indsamlingssted.

Läs och följ noggrant alla instruktioner, direktiv och varningar i den här produkthandboken för att säkerställa att du alltid installerar, använder och underhåller produkten på rätt sätt. Dessa instruktioner MÅSTE förvaras tillsammans med produkten.

Genom att använda produkten bekräftar du härmed att du noggrant har läst alla instruktioner, direktiv och varningar och att du förstår och är införstådd med att följa de villkor som anges här. Du är införstådd med att endast använda denna produkt i avsett syfte och i enlighet med instruktionerna, direktiven och varningarna som anges i denna produkthandbok samt i enlighet med alla gällande lagar och bestämmelser. Om du inte läser och följer instruktionerna och varningarna som anges här kan det leda till personskador på dig eller andra, på produkten eller annan egendom i närheten. Denna produkthandbok, inklusive instruktionerna, direktiven och varningarna samt relaterad information, kan ändras och uppdateras. För uppdaterad produktinformation, besök documents.dometic.com, dometic.com.

Tillhörande dokument



På webben hittar du information om den tekniska datan samt den utförliga bruksanvisningen:

documents.dometic.com/?object_id=74832.

Säkerhetsanvisningar



VARNING!

Beakta även säkerhetsanvisningarna på sida 3 till sida 4.

Allmänna säkerhetsanvisningar



VARNING! Om man underlåter att följa de här varningarna kan följden bli dödsfall eller allvarlig personskada.

Risk för dödsfall på grund av elektricitet

- Om apparaten uppvisar synliga skador får den ej tas i drift.
- Om apparatens anslutningskabel för växelström skadas måste den, av säkerhetsskäl, bytas ut av tillverkaren, tillverkarens kundtjänst eller annan person med motsvarande behörighet.
- Denna apparat får endast repareras av härför utbildad personal. Om man utför reparationer på fel sätt kan man utsättas för avsevärda risker.

Explosionsrisk

Lagra inga ämnen som kan explodera i apparaten, som t.ex. sprayburkar med lättantändlig drivgas.

Brandrisk

Köldmediet i köldmediekretsen är mycket lättantändligt. Om köldmediekretsen skulle skadas (luktar ammoniak):

- Stäng av apparaten.
- Undvik öppen eld och gnistbildning.
- Ventilera rummet noga.

Hälsorisk

- Öppna aldrig absorptionsaggregatet. Det står under högt tryck och kan ge upphov till skador om det öppnas.
- Barn från åtta års ålder, personer med nedsatt fysisk, sensorisk eller mental förmåga, eller personer med bristande erfarenhet och kunskaper får använda den här apparaten förutsatt att de hålls under uppsikt eller om de har fått anvisningar om hur man använder den här apparaten på ett säkert sätt och känner till vilka risker som är förknippade med användningen.
- Barn får inte leka med apparaten.
- Utan uppsikt får barn inte utföra rengörings- eller underhållsarbeten.
- Barn i åldrarna tre till åtta år får lasta in eller ut varor i eller ur apparaterna.

Fara för barn!

- Kontrollera att hyllorna är monterade och säkrade så att barn inte kan låsa in sig i apparaten.
- Innan det gamla kylskåpet omhändertas:
 - Demontera lådan.
 - Låt hyllorna vara kvar i kylskåpet så att barn inte kan klättra in i skåpet.



AKTA! Om man underlåter att följa de här försiktighetsåtgärderna kan följden bli lindrig eller måttlig personskada.

Risk för personskada

- Håll fingrarna borta från gångjärnen.
- Luta dig inte mot den öppna apparatdörren.



OBSERVERA! Risk för skada

- Lampan får endast bytas ut av tillverkaren, en tjänsteleverantör eller en person med liknande kvalifikationer för att förhindra fara.
- Använd inte högttrycksvätt nära ventilationsgallren.
- Montera vinterkåporna för ventilationsgallret (tillbehör) när fordonet tvättas utifrån eller ställs av en längre tid.

- Apparaten är inte avsedd för transport av frätande material eller material med lösningsmedel.
- Apparaten isolering innehåller brännbart cyklopentan och det krävs särskilda rutiner för avfallshanteringen. När apparaten har uppnått slutet av livscykeln ska den lämnas till lämplig återvinningscentral.
- Se till att kondensöppningen alltid är ren.
- Doppa aldrig ner apparaten i vatten.
- Skydda apparaten och kablarna mot värme och fukt.
- Apparaten får inte utsättas för regn.

- Be fordonstillverkaren specificera vilka enheter som skyddar batteriet om fordonets batteristyrning skulle stängas av.
- Om du inte har för avsikt att använda apparaten under en längre tid ska du sätta apparatens dörr och frysfacksdörren i vinterläge. På det här sättet bildas det inte mögel.

Säkerhet vid användning av apparaten



WARNING! Om man underlåter att följa de här varningarna kan följden bli dödsfall eller allvarlig personskada.

Risk för dödsfall på grund av elektricitet

- Kontrollera, innan apparaten tas i drift, att elkablen och stickkontakten är torra.
- Koppla bort apparaten från strömförsörjningen
 - alltid före rengöring eller underhåll
 - alltid efter användning

Hälsorisk

- Kontrollera om apparatens kyleffekt uppfyller kraven för de livsmedel du vill hålla kalla.
- Använd endast apparaten i väl ventilerade utrymmen.
- Använd endast en energikälla åt gången till apparaten.
- Livsmedel får endast förvaras i originalförpackningarna eller i andra lämpliga behållare.
- Om locket hålls öppet under lång tid finns det risk att man får en betydande ökning av temperaturen i apparaten.
- Rengör med jämna mellanrum ytor som kan komma i kontakt med livsmedel och åtkomliga avloppssystem.
- Förvara rått kött och rå fisk i lämpliga behållare i apparaten, så att det inte kommer i kontakt med eller kan droppa på andra livsmedel.
- Om apparaten under en längre tid står i en rumstemperatur under +10 °C kan det inte säkerställas att frysfackets temperatur hålls jämn. Detta kan leda till att temperaturen i frysfacket ökar och att varorna som förvaras där tinar.
- Om apparaten står tom under lång tid:
 - Stäng av apparaten.
 - Avfropa apparaten.
 - Rengör och torka apparaten.
 - Lämnna dörren öppen för att förhindra att det bildas mögel i apparaten.

Placera och ansluta apparaten på ett säkert sätt



WARNING! Om man underlåter att följa de här varningarna kan följden bli dödsfall eller allvarlig personskada.

Brandrisk

- Se till att inte skada apparatens elkrets vid transport.
- Kontrollera att elsladden inte har fastnat eller skadats i samband med placering av apparaten.
- Placera inte ut flera bärbara uttag eller bärbara nätaggregat bakom apparaten.



OBSERVERA! Risk för skada

Risk för överhettning!

- Se till att värmen som alstras under användningen kan avledas ordentligt. Apparaten måste ha tillräckligt stort avstånd till väggen/andra föremål så att luften kan cirkulera fritt.
- För att köldmediet ska kunna cirkulera på ett korrekt sätt får apparaten inte överskrida en lutningsvinkel på 3°. För att göra detta, ställ upp apparaten vågrätt med hjälp av ett vattenpass.
 - Håll bara apparaten i själva stommen när den flyttas. Håll aldrig fast apparaten i absorptionsaggregatet, kylflänsarna, gasledningarna, dörren eller kontrollpanelen.
 - Ställ inte upp apparaten i närheten av öppen eld eller andra värmekällor (värmeelement, starkt solljus, gasspisar osv.).
 - Anslut endast produkten till växelströmsuttaget med tillhörande anslutningskabel för växelström.



AKTA! Om man underlåter att följa de här försiktighetsåtgärderna kan följden bli lindrig eller måttlig personskada.

Risk för personskada

- Stäng och lås apparatens dörr innan körning.
- Kylaggregatet på apparatens baksida blir mycket varmt när det är igång. Skydda dig mot kontakt med heta delar när ventilationsgallren är borttagna.



OBSERVERA! Risk för skada

- Jämför spänningsuppgifterna på typskylten med elförsörjningen på plats.
- Anslut produkten endast på följande vis:
 - Likströmsuttag: Använd endast kablar med lämplig kabelarea.
 - Växelströmsuttag: Använd endast den medföljande växelströmskabeln
- Dra aldrig ut stickkontakten ur uttaget genom att dra i kabeln.
- När apparaten är ansluten till ett likströmsuttag: Låt endast kylskåpet gå med likström (batteri) i kombination med en batterivakt eller när fordonsnets generator levererar tillräckligt med spänning.
- När apparaten är ansluten till ett likströmsuttag: Bryt strömmen till apparaten eller stäng av den när motorn stängs av. Annars kan fordonsbatteriet laddas ur.
- Se till att ventilationsöppningarna inte täcks över.
- Använd inga elektriska produkter för arbeten inne i apparaten. Undantag: produkterna rekommenderas för sådan användning av tillverkaren.
- Fyll inte innerfacket med vätskor eller is.
- Tunga varor som t.ex. flaskor eller burkar ska endast förvaras i apparatens dörr, i grönsaksfacket eller på det nedre gallret.

Använd gas säkert



WARNING! Om man underlåter att följa de här varningarna kan följden bli dödsfall eller allvarlig personskada.

Explosionsrisk

- Apparaten får endast användas med det tryck som anges på typskylten. Använd endast fast inställda tryckregulatorer som motsvarar nationella föreskrifter. Använd en fast inställd, DIN-DVGW-godkänd tryckregulator enligt DIN EN 16129.
- Apparaten får **endast** användas med gas utomhus.
- **Kvävningsrisk!** Om apparaten ska användas med gas i ej ventilerade utrymmen leder det till syrebrist i dessa utrymmen.
- Använd inte apparaten med gas i ej ventilerade utrymmen som slutna rum, tält, motorfordon, husbilar, husvagnar, fartyg, nöjesbåtar, bagageutrymmen eller lastbilshytter.
- Ställ inte upp apparaten i närheten av antändligt material (papper, torra löv, textilier).
- Håll brännbara föremål borta från brännaren.
- Lagra **aldrig** gasflaskor i ej ventilerade utrymmen eller under markytan (trattformiga håll i marken).
- Se till att gasflaskorna skyddas mot direkt solljus. Temperaturen får inte överskrida 50 °C.
- Använd aldrig öppen låga för att kontrollera om det finns läckage på produkten.
- Om du känner gaslukt:
 - Stäng kranen för gasförsörjning och flaskventilen.
 - Tryck inte på några elektriska strömbrytare.
 - Släck öppna lågor.
 - Låt en specialist undersöka gasanläggningen.
- När apparaten körs i gasläge ska man inte lämna den utan uppsikt.



OBSERVERA! Risk för skada

Använd bara propan- eller butangas (inte naturgas).

Avsedd användning

Mobil kyl-/frysprodukten är avsedd att användas i hushåll och liknande, som:

- Personalkök i affärer, kontor eller andra arbetsmiljöer
- Bondgårdar
- För gäster på hotell, motell eller andra typer av boenden
- Miljöer liknande bed&breakfast
- Catering och liknande utan försäljning

Den här apparaten är avsedd för:

- Användning vid camping
- Kyla och förvara livsmedel samt förvara djupfrysta livsmedel
- Användning med likström, växelström eller gas

Apparaten är **inte** avsedd för:

- Användning som en inbyggd apparat
- Förvaring av läkemedel
- Förvaring av frätande ämnen eller ämnen som innehåller lösningsmedel

Den här produkten lämpar sig endast för avsedd användning i enlighet med denna bruksanvisning.

Den här manualen informerar om vad som krävs för att installera och/eller använda apparaten på rätt sätt. Felaktig installation och/eller användning eller felaktigt underhåll kommer leda till att produkten inte fungerar optimalt och riskerar gå sönder.

Tillverkaren åtar sig inget ansvar för personskador eller materiella skador på produkten som uppstår till följd av:

- Felaktig montering eller anslutning, inklusive för hög spänning
- Felaktigt underhåll eller användning av reservdelar som inte är originaldelar från tillverkaren
- Ändringar som utförts utan uttryckligt medgivande från tillverkaren
- Användning för andra ändamål än de som beskrivs i denna bruksanvisning

Dometic förbehåller sig rätten att ändra produktens utseende och specifikationer.

Installation och användning

Gå tillväga enligt bilderna på sida 5 till sida 13.

- Placera apparaten: bild **1**
- Ansluta apparaten till likströmsuttag: bild **2**

- Ansluta apparaten till växelströmsuttag: bild **3**
- Ansluta apparaten till gas: bild **4** – bild **5**
- Slå på strömmen 12 V: bild **6**
- Slå på strömmen 240 V: bild **7**
- Slå på gasförsörjningen: bild **8**
- Placera livsmedel: bild **9**
- Stänga av apparaten: bild **10**
- Byta gasfilter: bild **11**
- Byta tändningsbatteri: bild **12**

Garanti

Den lagstadgade garantitiden gäller. Kontakta din återförsäljare eller tillverkarens representant i ditt land (se dometic.com/dealer) om produkten är defekt.

Vid reparations och garantiärenden ska följande dokument skickas med när du returnerar produkten:

- En kopia på fakturan med inköpsdatum
- En reklamationsbeskrivning eller felbeskrivning

Avfallshantering

- Lämna om möjligt förpackningsmaterialet till återvinning.



När produkten slutgiltigt tas ur bruk: informera dig om gällande bestämmelser hos närmaste återvinningscentral eller hos återförsäljaren.



Skydda miljön!

Varken laddningsbara batterier eller andra batterier hör hemma i hushållssoporna.

Lämna dina förbrukade eller defekta (laddningsbara) batterier till återförsäljaren eller till ett insamlingsställe.

Vennligst les disse instruksjonene nøye og følg alle instruksjoner, retningslinjer og advarsler som er inkludert i denne produktveiledningen for å sikre at du installerer, bruker og vedlikeholder produktet ordentlig til enhver tid. Disse instruksjonene MÅ følge med dette produktet.

Ved å bruke dette produktet bekrefter du at du har lest alle instruksjoner, retningslinjer og advarsler nøye, og at du forstår og aksepterer å overholde betingelsene og vilkårene slik de er presentert her. Du godtar å bruke dette produktet kun til tiltenkt formål og anvendelse, og i samsvar med instruksjonene, retningslinjene og advarslene slik de er presentert i denne produktveiledningen, så vel som i samsvar med alle gjeldende lovbestemmelser og forskrifter. Hvis instruksjonene og advarslene som er presentert her, ikke blir lest og fulgt, kan dette resultere i personskader hos deg selv eller andre, skade på produktet eller skade på annen eiendom i nærheten. Denne produktveiledningen, inkludert instruksjonene, retningslinjene og advarslene, samt relatert dokumentasjon, kan være underlagt endringer og oppdateringer. For oppdatert produktinformasjon, se documents.dometic.com, dometic.com.

Relaterte dokumenter



Du finner den detaljerte bruksanvisningen og informasjon om tekniske spesifikasjoner online under documents.dometic.com/?object_id=74832.

Sikkerhetsregler



ADVARSEL!

Følg også sikkerhetsinstruksjonene på side 3 til side 4.

Grunnleggende sikkerhet



ADVARSEL! Manglende overholdelse av disse advarslene kan resultere i alvorlige personskader, eventuelt med døden til følge.

Fare for elektrisk støt

- Apparatet må ikke tas i bruk hvis det har synlige skader.
- Hvis vekselstrømskabelen til dette apparatet er skadet, må den for å unngå farer byttes av produsenten eller dennes kundeservice eller en tilsvarende utdannet person for å forhindre at sikkerheten settes i fare.
- Reparasjoner på dette apparatet må kun utføres av kvalifiserte fagfolk. Ukorrekte reparasjoner kan medføre betydelige farer.

Eksplisjonsfare

Ikke lagre eksplosjonsfarlige stoffer som f.eks. spraybokser med antennelig drivgass i apparatet.

Brannfare

Kjølemiddelet i kjølemiddelkretsen er lett antenne- lig. Ved skader på kjølekretsløpet (lukt av ammoniakk):

- Slå av apparatet.
- Unngå åpen ild og gnister.
- Sørg for god ventilasjon i rommet.

Helsefare

- Absorpsjonsaggregatet må aldri åpnes. Det står under høytrykk og kan forårsake personskader hvis det åpnes.
- Dette apparatet kan brukes av barn fra 8 år og oppover og personer med reduserte fysiske, sensoriske eller mentale evner eller som mangler erfaring og kunnskap, hvis de er under oppsyn eller har fått veiledning i hvordan apparatet brukes på en forsvarlig måte og forstår hvilke farer det innebærer.
- Barn må ikke leke med apparatet.
- Rengjøring og vedlikehold skal ikke utføres av barn uten at de er under oppsyn.
- Barn i alderen 3–8 år får lov til å ta inn og ut av enheter.

Farlig for barn

- Sørg for at hyllene er montert og festet slik at barn ikke kan sperre seg selv inne i enheten.
- Før ditt gamle kjøleskap skal kastes:
 - Demonter skuffen.
 - La hyllene bli værende i kjøleskapet, slik at barn ikke kan gå inn i det.



FORSIKTIG! Manglende overholdelse av disse forsiktighetsvarslene kan resultere i mindre til moderate personskader.

Fare for personskader

- Ikke grip i hengselet.
- Ikke len deg mot den åpne døren.



PASS PÅ! Fare for skader

- Lyspæren kan bare skiftes ut av produsenten, et serviceverksted eller andre kvalifiserte personer for å unngå fare.
- Ikke bruk vannhøytrykksspylere til å rengjøre kjøretøyet i området rundt luftegitteret.
- Monter vinterdekslene til luftegitterne (tilbehør) når kjøretøyet rengjøres utvendig eller tas ut av drift for lengre tid.
- Apparatet er ikke egnet for transport av etsende eller løsemiddelholdige stoffer.

- Isolasjonen av apparatet inneholder antennelig syklopentan og krever spesielle avfallshåndteringsprosedyrer. Lever inn apparatet til en egnet gjenvinningsstasjon etter endt levetid.
- Kondensåpningen må holdes ren til enhver tid.
- Dypp aldri apparatet i vann.
- Beskytt apparatet og kablene mot varme og fuktighet.
- Apparatet må ikke utsettes for regn.

Plassere og tilkoble apparatet sikkert



ADVARSEL! Manglende overholdelse av disse advarslene kan resultere i alvorlige personskader, eventuelt med døden til følge.

Brannfare

- Sørg for at apparatets kretsløp ikke kommer til skade under transporten.
- Ved posisjonering av apparatet må det sørges for at tilførselsledningen ikke sitter fast eller skades.
- Ikke plasser flere mobile strømkontakter eller mobile strømforsyninger bak på apparatet.



PASS PÅ! Fare for skader

Fare for overopphetning!

- Påse at varme som oppstår under drift alltid blir tilstrekkelig ventilert bort. Påse at apparatet står langt nok unna vegger eller gjenstander, slik at luften kan sirkulere.
- For at kuldemedlet skal kunne sirkulere korrekt skal apparatet ikke helle mer enn 3°. Plasser apparatet vannrett ved hjelp av et vater.
- Hold bare apparatet i selve kroppen under transport. Hold aldri apparatet på absorpsjonsaggregatet, kjøleribbene, gassledningene, døren eller kontrollpanelet.
- Ikke plasser apparatet i nærheten av åpen ild eller andre varmekilder (radiatorer, direkte sollys, gassovner osv.).
- Bruk bare den tilhørende vekselstrøm-tilkoblingskabelen til å koble apparatet til en vekselstrømsstikkontakt.
- Spør din kjøretøysprodusent om batteriforvaltningen på kjøretøyet slår av enheten for å beskytte batteriet.
- Sett apparatdøren og fryserdøren i vinterposisjon hvis apparatet ikke skal brukes på en god stund. Dermed unngår man muggdannelse.

Sikkerhet ved bruk av apparatet



ADVARSEL! Manglende overholdelse av disse advarslene kan resultere i alvorlige personskader, eventuelt med døden til følge.

Fare for elektrisk støt

- Sikre at strømkabelen og støpselet er tørre før apparatet startes opp.
- Koble apparatet fra strømforsyningen
 - Før rengjøring og vedlikehold
 - Etter hver bruk

Helsefare

- Kontroller at kjøleeffekten i kjøleskapet er egnet for matvarene du ønsker å kjøle.
- Bruk enheten kun på steder med god lufting.
- Bruk boksen alltid med bare én energikilde.
- Matvarer må oppbevares i originalforpakning eller i egnede beholdere.
- Det å åpne enheten for en lengre periode kan føre til en vesentlig økning av temperaturen i apparatet.
- Overflater som kan komme i kontakt med matvarer og tilgjengelige deler av dreneringssystemet, må rengjøres regelmessig.
- Oppbevar rått kjøtt og fisk i egnede beholdere i enheten, slik at det ikke kommer i kontakt med eller kan dryppe på andre matvarer.
- Hvis apparatet er utsatt for en romtemperatur under +10 °C over lengre tid, kan det ikke garanteres en jevn temperatur i fryserommet. Dette kan føre til en temperaturstigning i fryserommet, og de oppbevarte matvarene kan tine.
- Hvis enheten blir værende tom over lengre tid:
 - Slå av apparatet.
 - Avrim apparatet.
 - Rengjør og tørk apparatet.
 - La døren være åpent for å unngå muggdannelse inne i apparatet.



FORSIKTIG! Manglende overholdelse av disse forsiktighetsvarslene kan resultere i mindre til moderate personskader.

Fare for personskader

- Lukk og lås apparatets dør før du starter på reisen.
- Kjøleaggregatet på baksiden av apparatet blir svært varmt under drift. Beskytt deg mot kontakt med varmeledende deler når luftegitrene er tatt av.



PASS PÅ! Fare for skader

- Kontroller at spenningsspesifikasjonene på merkeskiltet tilsvarer den tilgjengelige strømtilførselen.
- Koble til apparatet på følgende måte:
 - Likestrømskontakt: Bruk kun kabler med passende tverrsnitt.
 - Vekselstrømskontakt: Bruk kun den medfølgende vekselstrømkabelen.
- Trekk aldri ut støpselet fra stikkontakten etter kabelen.
- Hvis apparatet er koblet til en likestrømskontakt: Velg drift med likestrøm (batteridrift) kun når du bruker batterivakt, eller når kjøretøygeneratoren leverer tilstrekkelig spenning.
- Hvis apparatet er koblet til en likestrømskontakt: Koble fra forbindelsen eller slå av apparatet når du slår av motoren. Ellers kan batteriet lades ut.
- Pass på at luftenåpningene ikke blir blokkert.
- Ikke bruk elektriske apparater inne i apparatet, med mindre de anbefales av produsenten for formålet.
- Ikke fyll den indre beholderen med is eller væsker.
- Plasser store gjenstander som f.eks. flasker eller bokser utelukkende i apparatets dør, i grønn-sakskuffen eller nedre hylle.

Sikker drift med gass



ADVARSEL! Manglende overholdelse av disse advarslene kan resultere i alvorlige personskader, eventuelt med døden til følge.

Eksplisjonsfare

- Apparatet må kun drives med trykket som er oppgitt på typeskiltet. Bruk kun fast innstilte trykkregulatorer som oppfyller de nasjonale forskriftene. Bruk en fast innstilt DIN-DVGW-godkjent trykkregulator iht. DIN EN 16129.
- Apparatet må **bare** benyttes ute i det fri ved gassdrift.
- **Kvelningsfare!**
Drift av apparatet med gass i et uventilert område fører til surstoffmangel i nevnte område.
- Ikke bruk apparatet med gass i områder som ikke er ventilert, slik som i lukkede rom, telt, biler, bobiler, campingvogner, skip, yachter, båter og lastebilførerhus.

- Sett ikke apparatet i nærheten av lettantennelige materialer (papir, tørt løv, tekstiler).
- Hold brennbare gjenstander borte fra brennen.
- Oppbevar **aldri** flasker med flytende gass på steder uten lufting eller under bakkenivå (traktformede grøfter).
- Utsett ikke flasker med flytende gass for direkte sollys. Temperaturen må ikke overskride 50 °C.
- Kontroller aldri at apparatet er tett ved hjelp av åpen ild.
- Hvis du merker gasslukt:
 - Lukk sperrekranen på gassforsyningen og flaskeventilen.
 - Ikke bruk elektriske brytere.
 - Slukk all åpen ild.
 - Få gassanlegget sjekket av en fagperson.
- Ikke la apparatet gå uten tilsyn når det går i gassdrift.



PASS PÅ! Fare for skader

Bruk kun propan- eller butangass (ikke naturgass).

Forskriftsmessig bruk

Den mobile kjøleboksen er ment for bruk i husholdningen og lignende anvendelser som for eksempel:

- personalkjøkken i butikker, kontorer og andre arbeidsomgivelser
- herregårder
- hoteller, moteller og andre bomiljøer
- Bed & Breakfast-steder
- catering og lignende virksomheter

Apparatet er egnet for:

- Campingbruk
- Kjøling og oppbevaring av matvarer, samt oppbevaring av frosne matvarer
- drift med likestrøm, vekselstrøm eller gass

Apparatet er **ikke** egnet for:

- bruk som innebygd enhet
- oppbevaring av legemidler
- oppbevaring av etsende stoffer eller stoffer som inneholder løsemidler

Dette produktet er kun egnet for det tiltenkte formålet og bruksområdet i samsvar med disse instruksjonene.

Denne håndboken gir informasjon som er nødvendig for en ordentlig installasjon og/eller drift av enheten. Feilaktig installasjon og/eller ukorrekt bruk eller vedlikehold vil resultere i en utilfredsstillende ytelse og mulig svikt.

Produsenten fraskriver seg ethvert ansvar for personskader eller materielle skader på produktet som følge av:

- Ukorrekt montering eller tilkobling, inkludert for høy spenning
- Ukorrekt vedlikehold eller bruk av andre reservedeler enn originale reservedeler levert av produsenten
- Modifisering av produktet uten at det er gitt uttrykkelig godkjenning av produsenten
- Bruk til andre formål enn beskrevet i denne veiledningen

Dometic forbeholder seg rettigheten til å endre produktet ytre og produktspesifikasjoner.

Oppsett og drift

Gå frem som vist på side 5 til side 13:

- Plassering av apparatet: fig. **1**
- Tilkoble apparatet til likestrøm: fig. **2**
- Tilkoble apparatet til vekselstrøm: fig. **3**
- Koble apparatet til gass: fig. **4** – fig. **5**
- Oppkobling av strømforsyning 12 V: fig. **6**
- Oppkobling av strømforsyning 240 V: fig. **7**
- Oppkobling av gassforsyning: fig. **8**
- Plassere matvarer: fig. **9**
- Slå av apparatet: fig. **10**
- Skifte gassfilter: fig. **11**
- Bytte tenningsbatteri: fig. **12**

Garanti

Lovmessig garantitid gjelder. Hvis produktet er defekt: Ta kontakt med din forhandler eller produsentens filial i ditt land (se dometic.com/dealer).

Ved henvendelser vedrørende reparasjon eller garanti, må du sende med følgende dokumentasjon:

- Kopi av kvitteringen med kjøpsdato
- Årsak til reklamasjonen eller beskrivelse av feilen

Avfallshåndtering

► Lever emballasje til resirkulering så langt det er mulig.



Når du tar produktet ut av drift for siste gang, må du sørge for å få informasjon om deponeringsforskrifter hos nærmeste resirkuleringsstasjon eller hos din faghandler.



Bevar miljøet!

Batterier hører ikke hjemme i husholdningsavfallet.

Lever defekte eller brukte batterier enten til forhandleren eller på en oppsamlingsstasjon.

Lue nämä ohjeet huolellisesti ja noudata kaikkia tämän tuotteen käyttöohjeissa annettuja ohjeita, määräyksiä ja varoituksia. Näin varmistat, että tuotteen asennus, käyttö ja huolto sujuu aina oikein. Näiden ohjeiden TÄYTYY jäädä tuotteen yhteyteen.

Käyttämällä tuotetta vahvistat lukeneesi kaikki ohjeet, määräykset ja varoitukset huolellisesti ja että ymmärrät ja hyväksyt tässä annetut ehdot. Sitoudut käyttämään tuotetta ainoastaan sen käyttötarkoitukseen ja ilmoitetuissa käyttökohteissa ja noudattaen tässä tuotteen käyttöohjeessa annettuja ohjeita, määräyksiä ja varoituksia sekä voimassa olevia lakeja ja määräyksiä. Tässä annettujen ohjeiden ja varoitusten lukematta ja noudattamatta jättäminen voi johtaa omaan tai muiden loukkaantumiseen, tuotteen vaurioitumiseen tai muiden, ympärillä olevien esineiden vaurioitumiseen. Tähän tuotteen käyttöohjeeseen, ohjeisiin, määräyksiin ja varoituksiin sekä oheisdokumentteihin voidaan tehdä muutoksia ja niitä voidaan päivittää. Katso ajantasaiset tuotetiedot osoitteesta documents.dometic.com, dometic.com.

Asiaankuuluvat asiakirjat



Yksityiskohtaisen käyttöohjeen ja teknisiä tietoja koskevaa informaatiota löydät internetistä osoitteesta documents.dometic.com/?object_id=74832.

Turvallisuusohjeet



VAROITUS!

Noudata myös turvallisuusohjeita sivulta 3 sivulle 4.

Perusturvallisuus



VAROITUS! Näiden varoitusten noudattamatta jättäminen voi johtaa kuolemaan tai vakavaan vammaan.

Sähköiskun vaara

- Laitetta ei saa ottaa käyttöön, jos laitteessa on näkyviä vaurioita.
- Jos tämän laitteen vaihtovirtaliitäntäjohto on vaurioitunut, valmistajan, asiakaspalvelun tai vastavasti koulutetun ammattilaisen tulee vaihtaa se vaaratilanteiden välttämiseksi.
- Ainoastaan pätevät ammattilaiset saavat korjata tätä laitetta. Väärin tehdyistä korjauksista voi aiheutua vakavia vaaroja.

Räjähdyksivaara

Älä säilytä laitteessa räjähdysalttiita aineita, kuten suihkepurkkeja, jotka sisältävät syttyvää polttoainetta.

Palovaara

Jäähdytyskierron sisältämä kylmäaine on helposti syttyvää. Jos jäähdytyskierto on vahingoittunut (ammoniakin haju):

- Kytke laite pois päältä.
- Ehkäise avotulen ja sytytyskipinöiden esiintyminen.
- Tuuleta tila huolellisesti.

Terveysvaara

- Älä milloinkaan avaa absorptioaggregaattia. Se on korkean paineen alainen ja voi aiheuttaa loukkaantumisia, jos se avataan.
- Tätä laitetta voivat käyttää valvonnan alaisuudessa myös vähintään 8-vuotiaat lapset samoin kuin henkilöt, joiden fyysiset, aistinvaraiset tai henkiset kyvyt ovat rajoittuneet tai joilta puuttuu laitteen käytön vaatima kokemus tai tietämys, mikäli edellä mainittuja henkilöitä on opastettu käyttämään laitetta turvallisesti ja mikäli henkilöt ymmärtävät laitteen käyttöön liittyvät riskit.
- Lapset eivät saa leikkiä laitteella.
- Lapset eivät saa ilman valvontaa puhdistaa laitetta eivätkä ryhtyä käyttäjälle sallittuihin kunnossapitotoihin.
- 3–8-vuotiaat lapset saavat sekä sijoittaa tuotteita laiteeseen että noutaa tuotteita sieltä.

Vaara lapsille

- Varmista, että hyllyt on asennettu ja varmistettu niin, lapset eivät voi lukita itseään laitteen sisälle.
- Ennen kuin hävität vanhan jääkaapin:
 - Irrota laatikko.
 - Jätä hyllyt jääkaappiin, jotta lapset eivät voi kiivetä kaapin sisälle.



HUOMIO! Näiden varoitusten noudattamatta jättäminen voi johtaa vähäiseen tai kohtalaiseen vammaan.

Loukkaumisvaara

- Älä koske saranaan.
- Älä nojaa laitteen avointa ovea vasten.



HUOMAUTUS! Vahingonvaara

- Vaaran välttämiseksi lampun voi vaihtaa vain valmistaja, asiakaspalvelu tai henkilö, jolla on vastaava pätevyys.
- Älä koskaan puhdistaa ajoneuvoa tuuletusrilän lähetytyiltä korkeapainepesurilla.

- Asenna tuuletusritilän talvipeitteet (lisävarusteita) paikalleen, jos ajoneuvo puhdistetaan ulkoa tai otetaan pois käytöstä pitkäksi aikaa.
- Laite ei sovellu syövyttävien aineiden tai liuottimia sisältävien aineiden kuljettamiseen.
- Laitteen eristeet sisältävät syttyvää syklopentanaania, joten ne vaativat erityisen hävittämismenettelyn. Kun laite on tullut käyttöikänsä päähän, toimita se asianmukaiseen kierrätyspisteeseen.
- Huolehdi siitä, että kondenssiveden aukko pysyy aina puhtaana.
- Älä koskaan upota laitetta veteen.
- Suojaa laite ja johdot kuumuudelta ja kosteudelta.
- Laitetta ei saa asettaa alttiiksi sateelle.

- Aseta laitteen ovi ja pakastelokeron ovi talviasentoon, jos tarkoituksenas ei ole käyttää laitetta pitkään aikaan. Näin vältetään homeen muodostuminen.

Laitteen käyttöturvallisuus



VAROITUS! Näiden varoitusten noudattamatta jättäminen voi johtaa kuolemaan tai vakavaan vammaan.

Sähköiskun vaara

- Huolehdi ennen laitteen käyttöönottoa siitä, että johto ja pistoke ovat kuivia.
- Irrota laite virtalähteestä
 - ennen puhdistusta tai huoltoa
 - aina käytön jälkeen

Terveysvaara

- Tarkista, vastaako laitteen jäähdytysteho niiden elintarvikkeiden vaatimuksia, joita haluat jäähdyttää.
- Käytä laitetta vain paikassa, jossa ilma pääsee vaihtumaan hyvin.
- Käytä laitetta aina vain yhden energialähteen avulla.
- Elintarvikkeita saa säilyttää vain alkuperäispakkausissa tai tarkoitukseen sopivissa astioissa.
- Laitteen avaaminen pitkiksi ajoiksi voi nostaa lämpötilaa laitteen lokeroissa merkittävästi.
- Puhdista säännöllisesti pinnat, jotka voivat joutua kosketuksiin elintarvikkeiden ja suojaamattomien viemärijärjestelmän osien kanssa.
- Säilytä raaka liha ja kala laitteessa sopivissa säilytysastioissa, niin että ne eivät ole kosketuksissa muiden elintarvikkeiden kanssa eikä niistä voi tipua mitään muihin elintarvikkeisiin.
- Jos huoneenlämpötila laitteen ympärillä on pitkään alle +10 °C, pakastelokeron lämpötila ei mahdollisesti pysy tasaisena. Tämä voi johtaa pakastelokeron lämpötilan kohoamiseen ja säilytettävien tuotteiden sulamiseen.
- Jos laite jätetään tyhjäksi pitkäksi ajaksi:
 - Kytke laite pois päältä.
 - Sulata laite.
 - Puhdista ja kuivaa laite.
 - Jätä ovi auki, jotta laitteen sisälle ei pääse muodostumaan homeetta.

Laitteen turvallinen sijoittaminen ja liittäminen



VAROITUS! Näiden varoitusten noudattamatta jättäminen voi johtaa kuolemaan tai vakavaan vammaan.

Palovaara

- Varmista, että laitteen piiri ei vahingoitu kuljetuksen aikana.
- Varmista, että virtajohto ei juutu kiinni eikä vaurioidu sijoittaessasi laitetta paikalleen.
- Älä sijoita siirrettäviä pistorasialistoja tai siirrettäviä virtalähteitä laitteen taakse.



HUOMAUTUS! Vahingonvaara

Ylikuumenemisvaara!

- Huolehdi aina siitä, käytössä syntyvä lämpö saadaan johdettua riittävän hyvin pois. Huolehdi siitä, että laite on riittävän etäällä seinistä tai esineistä, jotta ilma pääsee kiertämään.
- Jotta kylmäaine voi kiertää asianmukaisesti, laitteen kallistuskulma ei saa olla suurempi kuin 3°. Aseta laite vaakasuoraan vesivaa'an avulla.
- Pidä kuljetuksen aikana laitteesta kiinni vain laitteen rungosta. Älä koskaan pidä kiinni laitteen absorptioaggregaatista, jäähdytysrivasta, kaasujohdoista, ovesta tai käyttöpaneelistä.
- Älä altista laitetta avotullelle tai muille lämpölähteille (lämmitys, suora auringonpaiste, kaasuuunit jne.).
- Liitä laite vain siihen kuuluvalla vaihtovirtaliitäntäjohdolla vaihtovirtapistorasiaan.
- Kysy ajoneuvosi valmistajalta, kytkeekö ajoneuvosi akkuohjaus laitteet pois päältä akun suojaamiseksi.



HUOMIO! Näiden varoitusten noudattamatta jättäminen voi johtaa vähäiseen tai kohtalaiseen vammaan.

Loukkaantumiswaara

- Sulje ja lukitse laitteen ovi ennen liikkeelle lähtemistä.
- Laitteen taustapuolella sijaitseva kylmäkone kuumenee voimakkaasti käytön aikana. Suojaudu kosketukselta lämpöä johtavien osien kanssa, kun otat tuuletusrilät paikoiltaan.



HUOMAUTUS! Vahingonvaara

- Varmista, että tyypikilven jännitetiedot vastaavat käytettävissä olevaa energiansyöttöä.
- Liitä laite vain seuraavalla tavalla:
 - Tasavirtapistorasias: Käytä vain johtoja, joiden poikkipinta-ala on asianmukainen.
 - Vaihtovirtapistorasias: Käytä ainoastaan mukana toimitettua vaihtovirtajohtoa
- Älä koskaan irrota pistoketta pistorasiasista johdosta vetämällä.
- Jos laite on liitetty tasavirtapistorasiasaan: Valitse tasavirtakäyttö (akkukäyttö) ainoastaan, kun käytät akkuvaihtia tai ajoneuvon laturi tuottaa tarpeeksi jännitettä.
- Jos laite on liitetty tasavirtapistorasiasaan: Irrota laitteen liitäntä tai kytke kylmälaite pois päältä, kun sammutat moottorin. Muuten ajoneuvon akku voi purkautua.
- Huolehdi siitä, ettei tuuletusaukkoja peitetä.
- Älä käytä laitteen sisällä sähkölaitteita, ellei valmistaja suosittele näitä laitteita tähän tarkoitukseen.
- Älä laita sisäastiaan jäätä tai nesteitä.
- Sijoita painavat esineet kuten pullot ja tölkit aina laitteen oveen, vihanneskaukaloon tai alimmalle hyllyritilälle.

Turvallinen kaasukäyttö



VAROITUS! Näiden varoitusten noudattamatta jättäminen voi johtaa kuolemaan tai vakavaan vammaan.

Räjähdyiswaara

- Laitetta saa käyttää vain tyypikilvessä mainitulla paineella. Käytä vain kiinteästi säädettyjä paineensäätimiä, jotka vastaavat kansallisia määräyksiä. Käytä kiinteästi säädettyä DIN-DVGW-hyväksyttyä paineensäädintä, joka vastaa normia DIN EN 16129.

- Laitetta saa käyttää kaasulla **vain** ulkona.

Tukeutumiswaara!

- Laitteen käyttäminen kaasulla tuulettamattomassa tilassa synnyttää happikadon.
- Älä käytä laitetta kaasulla paikassa, jossa ilma ei pääse vaihtumaan, kuten suljetuissa tiloissa, teltoissa, moottoriajoneuvoissa, matkailuautoissa, asuntovaunuissa, laivoissa, jahdeissa, veneissä tai kuorma-auton hytissä
- Älä aseta laitetta helposti syttyvien materiaalien lähelle (paperi, kuivat lehdet, tekstiilit).
- Pidä palavat esineet kaukana polttimesta.
- Nestekaasupulloja **ei koskaan** saa säilyttää tuulettamattomissa paikoissa tai maan pinnan alapuolella (suppilomaiset kuopat).
- Suojaa nestekaasupullot suoralta auringonpaisteelta. Lämpötila ei saa ylittää 50 °C:ta.
- Älä koskaan etsi laitteesta vuotoja avoliekin avulla.
- Jos tunnet kaasunhajua:
 - Sulje kaasunsyötön sulkuhana ja pullon venttiili.
 - Älä käytä sähkökytkimiä.
 - Sammuta avoliekit.
 - Tarkastuta kaasulaite ammattiliikkeellä.
- Älä jätä laitetta toimintaan ilman valvontaa, jos käytät sitä kaasulla.



HUOMAUTUS! Vahingonvaara

Käytä vain propaan- tai butaanikaasua (ei maakaasua).

Käyttötarkoitus

Siirrettävä kylmäsäilytyslaite on tarkoitettu kotitalouskäyttöön ja sen kaltaisiin käyttökohteisiin kuten:

- käyttöön henkilökunnan keittiötiloissa kaupoissa, toimistoissa ja muissa työympäristöissä
- käyttöön maataloilla
- asiakaskäyttöön hotelleissa, motelleissa ja muissa majoitusympäristöissä
- aamiaismajoitustyyppisissä ympäristöissä
- pitopalvelu- ja muissa ei-jakelukohteissa

Laitte soveltuu:

- leirintäkäyttöön
- ruoan jäädyttämiseen ja säilyttämiseen sekä pakastetun ruoan säilyttämiseen

- käyttöön tasavirralla, vaihtovirralla tai kaasulla

Laitte **ei** sovellu:

- kiinteästi asennettavaksi laitteeksi
- lääkkeiden säilyttämiseen
- syövyttävien aineiden tai liuottimia sisältävien aineiden säilyttämiseen

Tämä tuote soveltuu ainoastaan näissä ohjeissa ilmoitettuun käyttötarkoitukseen ja käyttökohteeseen.

Näistä ohjeista saat laitteen asianmukaiseen asennukseen ja/tai käyttöön tarvittavat tiedot. Väärin tehdyn asennuksen ja/tai väärän käyttötavan tai vääränlaisen huollon seurauksena laite ei toimi tyydyttävästi, ja se saattaa mennä epäkuntoon.

Valmistaja ei ota vastuuta tapaturmista tai tuotevaurioista, jotka johtuvat seuraavista:

- Väärin tehty asennus tai liittäminen, ylijännite mukaan lukien
- Väärin tehty huolto tai muiden kuin valmistajalta saatavien alkuperäisten varaosien käyttö
- Tuotteeseen ilman valmistajan nimenomaista lupaa tehdyt muutokset
- Käyttö muuhun kuin tässä ohjeessa ilmoitettuun tarkoitukseen

Dometic pidättää itsellään oikeuden muutoksiin tuotteen ulkonäössä ja spesifikaatioissa.

Pystytys ja käyttö

Toimi kuvien sivulla 5 – sivulla 13 mukaisesti:

- Laitteen sijoittaminen: kuva **1**
- Laitteen liittäminen tasavirtaan: kuva **2**
- Laitteen liittäminen vaihtovirtaan: kuva **3**
- Laitteen liittäminen kaasuun: kuva **4** – kuva **5**
- 12 V -syötön päälle kytkeminen: kuva **6**
- 240 V -syötön päälle kytkeminen: kuva **7**
- Kaasusyötön päälle kytkeminen: kuva **8**
- Ruoka-aineiden sijoittaminen: kuva **9**
- Laitteen kytkeminen pois päältä: kuva **10**
- Kaasusuodattimen vaihtaminen: kuva **11**
- Sytytyspariston vaihtaminen: kuva **12**

Takuu

Tuotetta koskee lakisääteinen tuotevastuu-aika. Jos tuote on viallinen, ota yhteyttä jälleenmyyjään tai valmistajan toimipisteeseen omissa maassasi (ks. dometic.com/dealer).

Jos lähetät tuotteen korjattavaksi, liitä korjaus- ja takuukäsittelyä varten mukaan seuraavat asiakirjat:

- Kopio kuitista, jossa näkyy ostopäivä
- Valitusperuste tai vikakuvaus

Hävittäminen

► Vie pakkausmateriaali mahdollisuuksien mukaan vastaavan kierrätysjärjestelmän joukkoon.



Jos poistat tuotteen lopullisesti käytöstä, pyydä tietoa sen hävittämistä koskevista määräyksistä lähimmästä kierrätyskeskuksesta tai ammattiliikkeestäsi.



Muista ympäristönsuojelusta!

Akut ja paristot eivät kuulu kotitalousjätteen sekaan.

Toimita vialliset akut tai käytetyt paristot kauppiaille tai keräyspisteeseen.

Пожалуйста, внимательно прочтите и соблюдайте все указания, рекомендации и предупреждения, содержащиеся в этом руководстве по использованию изделия, чтобы гарантировать правильную установку, использование и обслуживание изделия. Эта инструкция ДОЛЖНА оставаться вместе с этим изделием.

Используя изделие, вы тем самым подтверждаете, что внимательно прочитали все указания, рекомендации и предупреждения, а также, что вы понимаете и соглашаетесь соблюдать положения и условия, изложенные в настоящем документе. Вы соглашаетесь использовать это изделие только по прямому назначению и в соответствии с указаниями, рекомендациями и предупреждениями, изложенными в данном руководстве по использованию изделия, а также в соответствии со всеми применимыми законами и правилами. Несоблюдение указаний и предупреждений, изложенных в данном документе может привести к травмам вас и других лиц, повреждению вашего изделия или повреждению другого имущества, находящегося поблизости. Данное руководство по использованию изделия, включая указания, рекомендации и предупреждения, а также сопутствующую документацию, может подвергаться изменениям и обновлениям. Актуальную информацию о продукте можно найти на сайте documents.dometic.com, dometic.com.

Сопутствующая документация



Подробную инструкцию по эксплуатации и информацию о технических характеристиках вы найдете в Интернете по адресу

documents.dometic.com/?object_id=74832.

Указания по технике безопасности



ПРЕДУПРЕЖДЕНИЕ!

Соблюдайте также указания по технике безопасности, приведенные на

стр. 3–4.

Основные указания по технике безопасности



ПРЕДУПРЕЖДЕНИЕ! Несоблюдение этих предупреждений может привести к смерти или серьезной травме.

Опасность поражения электрическим током

- Запрещается эксплуатировать устройство, если оно имеет видимые повреждения.

- Во избежание опасных ситуаций в случае повреждения питающего кабеля переменного тока необходимо заменить устройство, обратившись к изготовителю, в сервисный центр или к специалисту с аналогичной квалификацией.
- Ремонт данного устройства разрешается выполнять только квалифицированному персоналу. Ненадлежащий ремонт может привести к значительным опасностям.

Опасность взрыва

Не храните в устройстве взрывоопасные вещества, например, аэрозольные баллоны с горючим газами-вытеснителями.

Опасность возникновения пожара

Хладагент в холодильном контуре легко воспламеняется. В случае повреждения холодильного контура (запах аммиака):

- Выключите устройство.
- Избегайте открытого огня и искр.
- Хорошо проветрите помещение.

Опасность для здоровья

- Запрещается открывать холодильный агрегат. При открывании имеется опасность получения травм из-за высокого давления внутри холодильного агрегата.
- Это устройство может использоваться детьми с 8-ми лет и старше, а также лицами с ограниченными физическими, сенсорными и умственными возможностями или при недостатке необходимого опыта и знаний только под присмотром или после прохождения инструктажа по безопасному использованию устройства, если они понимают опасности, которые при этом могут возникнуть.
- Детям запрещается играть с устройством.
- Запрещается выполнять очистку и пользовательское техническое обслуживание детям без присмотра.
- Детям в возрасте от 3 до 8 лет разрешается загружать и разгружать устройства.

Ловушка для детей

- Убедитесь, что полки в устройстве установлены и зафиксированы, чтобы дети не могли в нем запереться.
- Перед утилизацией старого холодильника:
 - Демонтируйте ящики.
 - Оставьте полки в холодильнике, чтобы в него не могли войти дети.



ОСТОРОЖНО! Несоблюдение этих предостережений может привести к травме легкой или средней степени тяжести.

Опасность травмирования

- Не беритесь за петлю.
- Не облокачивайтесь на открытую дверцу устройства.



ВНИМАНИЕ! Риск повреждения

- Во избежание опасных ситуаций замену лампы разрешается выполнять только производителю, сервисному центру или лицу, обладающему соответствующей или аналогичной квалификацией.
- Не используйте для очистки транспортного средства в области вентиляционной решетки водяные очистители высокого давления.
- При очистке транспортного средства или в случае его неиспользования в течение длительного времени установите зимние крышки вентиляционной решетки (аксессуары).
- Устройство не предназначено для транспортировки едких или содержащих растворители веществ.
- В изоляции устройства содержится горючий циклопентан, который требует особого метода утилизации. По окончании срока службы сдайте устройство в соответствующий центр утилизации.
- Всегда содержите в чистоте сливное отверстие.
- Не погружайте устройство в воду.
- Не подвергайте устройство и кабели воздействию высоких температур и влаги.
- Не допускать попадания на прибор дождя.

Техника безопасности при размещении и подключении устройства



ПРЕДУПРЕЖДЕНИЕ! Несоблюдение этих предупреждений может привести к смерти или серьезной травме.

Опасность возникновения пожара

- При транспортировке следите за тем, чтобы не повредить контур устройства.
- При установке устройства шнур питания не должен быть зажат или поврежден.



ВНИМАНИЕ! Риск повреждения

• Опасность перегрева!

- Следите за тем, чтобы ничто не препятствовало отводу тепловой энергии, образующейся во время работы холодильника. Следите за тем, чтобы устройство располагалось на достаточном расстоянии от стен или других предметов и ничто не препятствовало циркуляции воздуха.
- Чтобы хладагент мог надлежащим образом циркулировать, устройством должно иметь наклон не более 3°. Поэтому рекомендуется выровнять устройство с помощью водяного уровня.
 - При транспортировке держите устройство только за корпус. Ни в коем случае не держаться за абсорбирующий агрегат, охлаждающие ребра, газовые трубы, двери или панель управления.
 - Не устанавливайте устройство вблизи открытого огня или других источников тепла (радиаторов отопления, сильных солнечных лучей, газовых печей и т. п.).
 - Для подключения прибора к сети переменного тока используйте только прилагаемый кабель питания.
 - Выясните у производителя вашего автомобиля, отключает ли система управления аккумулятором вашего автомобиля устройства для защиты аккумулятора.
 - Если вы предполагаете не использовать устройство длительное время, приведите дверцу устройства и дверцу морозильной камер в зимнее положение. Это позволит исключить образование плесени.

Безопасная эксплуатация устройства



ПРЕДУПРЕЖДЕНИЕ! Несоблюдение этих предупреждений может привести к смерти или серьезной травме.

Опасность поражения электрическим током

- Перед включением убедитесь, что питающий кабель и штекер сухие.

- Отсоедините устройство от электропитания.
 - перед каждой очисткой и уходом,
 - после каждого использования.

Опасность для здоровья

- Проверьте, соответствует ли холодопроизводительность холодильника характеристикам продуктов питания, которые нужно охладить.
- Используйте устройство только в хорошо проветриваемом месте.
- Эксплуатируйте всегда только от одного источника энергии.
- Продукты питания разрешается хранить только в оригинальной упаковке или в подходящих емкостях.
- Удерживание устройства открытым в течение длительного времени может привести к существенному повышению температуры внутри устройства.
- Регулярно очищайте поверхности, которые могут контактировать с пищевыми продуктами и доступными сливными системами.
- Храните сырые мясо и рыбу в устройстве в подходящих контейнерах, чтобы изолировать их от других продуктов питания.
- Одинаковая температура в морозильной камере не гарантируется, если в течение длительного времени наружная температура составляет менее +10 °С. В этом случае возможно повышение температуры в морозильной камере и размораживание продуктов.
- Если устройство остается пустым в течение длительного времени:
 - Выключите устройство.
 - Разморозьте устройство.
 - Очистите и высушите устройство.
 - Оставьте дверь открытой, чтобы предотвратить образование плесени внутри устройства.



ОСТОРОЖНО! Несоблюдение этих предостережений может привести к травме легкой или средней степени тяжести.

Опасность травмирования

- Перед началом движения закройте и заблокируйте дверь устройства.

- Во время эксплуатации холодильный агрегат, расположенный сзади устройства, может очень сильно нагреваться? Если снята вентиляционная решетка, чтобы не допустить контакта с горячими частями, используйте средства защиты.



ВНИМАНИЕ! Риск повреждения

- Сравните значения напряжения, указанные на заводской табличке, с характеристиками имеющегося источника питания.
- Присоединяйте прибор только следующим образом:
 - Выход постоянного тока: Используйте только кабели подходящего сечения.
 - Выход переменного тока: Используйте только входящий в комплект поставки кабель переменного тока.
- Не вытаскивайте вилку из розетки за кабель.
- Если устройство присоединено к розетке постоянного тока: Выбирайте режим работы от источника постоянного тока (режим питания от независимого источника питания) только в том случае, если используется реле контроля аккумулятора или если генератор автомобиля вырабатывает достаточное напряжение.
- Если устройство присоединено к розетке постоянного тока: Отсоедините от источника тока или выключите устройство перед выключением двигателя. В противном случае аккумуляторная батарея автомобиля может разрядиться.
- Не закрывайте вентиляционные отверстия.
- Не используйте электроприборы внутри устройства, за исключением случаев, когда эти приборы рекомендованы для этого изготовителем.
- Запрещается заполнять внутреннее пространство жидкостями или льдом.
- Ставьте тяжелые предметы, такие как бутылки или банки, на полки в двери устройства, в секцию для овощей или на нижнюю полку.

Техника безопасности при работе на газе



ПРЕДУПРЕЖДЕНИЕ! Несоблюдение этих предупреждений может привести к смерти или серьезной травме.

Опасность взрыва

- Разрешается эксплуатировать устройство только с давлением, указанным на заводской табличке. Разрешается использовать стационарный регулятор давления, отвечающий требованиям национальных регламентов $\frac{3}{4}$ в. Используйте стационарный регулятор давления, одобренный DIN-DVGW и отвечающий DIN EN 16129.
- Разрешается эксплуатировать устройство от источника газоснабжения **только** на открытом воздухе.
- **Опасность удушья!** Если отсутствует достаточная вентиляция, в результате эксплуатации возможно возникновение дефицита кислорода.
- Запрещается использовать устройство на газе в местах с плохой вентиляцией, например в закрытых помещениях, палатках, безрельсовых транспортных средствах, в жилых автомобилях, кемперах, катерах и лодках, а также в кабинах грузовых автомобилей.
- Убедитесь, что прибор находится вдали от легковоспламеняемых материалов (бумаги, листьев, текстильных материалов).
- Держите вдали от прибора горючие материалы и предметы.
- Категорически **запрещается** хранить баллоны со сжиженным газом в непроветриваемых местах или ниже уровня земли (в воронкообразных земляных углублениях).
- Защитите баллоны со сжиженным газом от прямых солнечных лучей. Температура не должна превышать 50 °C.
- Не использовать для проверки протечек на устройстве открытие источника пламени.

- Если чувствуется запах газа:
 - Закройте запорный кран подачи газа и баллонный вентиль.
 - Не приводите в действие электрические выключатели.
 - Ликвидируйте источники открытого пламени.
 - Обратитесь в газовую службу, чтобы проверить систему газоснабжения.
- Не оставляйте устройство работать без присмотра в газовом режиме.



ВНИМАНИЕ! Риск повреждения

Используйте только пропан или бутан (не природный газ).

Использование по назначению

Мобильное охлаждающее устройство предназначено для использования в домашнем хозяйстве и подобных областях применения, таких как

- кухонные зоны для персонала в магазинах, офисах и других рабочих местах
- фермерские дома
- клиенты в отелях, мотелях и других жилых помещениях
- в гостиницах типа «постель и завтрак»
- общественное питание и аналогичные сферы розничной торговли

Устройство предназначено для:

- использования в кемпингах
- охлаждения и хранения пищевых продуктов, а также хранения замороженных продуктов
- работы от постоянного и переменного тока или газа

Устройство **не** предназначено для:

- использования в качестве встраиваемого устройства
- хранения лекарственных средств
- хранения едких веществ или веществ, которые содержат растворители

Это изделие подходит только для использования по назначению и применения в соответствии с данной инструкцией.

В данной инструкции содержится информация, необходимая для правильного монтажа и/или эксплуатации устройства. Неправильный монтаж и/или ненадлежащая эксплуатация или техническое обслуживание приводят к неудовлетворительной работе и возможному отказу.

Изготовитель не несет ответственности за какие-либо травмы или повреждение продукта в результате следующих причин:

- Неправильная сборка или подключение, включая повышенное напряжение
- Неправильное техническое обслуживание или использование запасных частей, отличных от оригинальных запасных частей, предоставленных изготовителем
- Изменения в продукте, выполненные без однозначного разрешения изготовителя
- Использование в целях, отличных от указанных в данной инструкции

Компания Dometic оставляет за собой право изменять внешний вид и технические характеристики продукта.

Установка и эксплуатация

Соблюдайте порядок действий, как показано на стр. 5 - стр. 13.

- Размещение устройства: рис. **1**
- Присоединение устройства к источнику постоянного тока: рис. **2**
- Присоединение устройства к источнику переменного тока: рис. **3**
- Присоединение устройства к газовому баллону: рис. **4** – рис. **5**
- Включение электропитания 12 В: рис. **6**
- Включение электропитания 240 В: рис. **7**
- Включение подачи газа: рис. **8**
- Размещение пищевых продуктов: рис. **9**
- Выключение устройства: рис. **10**
- Замена газового фильтра: рис. **11**
- Замена аккумулятора розжига: рис. **12**

Гарантия

Действителен установленный законом срок гарантии. Если продукт неисправен, обратитесь в торговую организацию или представительство изготовителя в вашей стране (см. dometic.com/dealer).

При обращении по вопросам ремонта или гарантийного обслуживания необходимо также предоставить следующую информацию:

- копию счета с датой покупки
- причину претензии или описание неисправности

Утилизация

► По возможности, выкидывайте упаковочный материал в мусор, подлежащий вторичной переработке.



Если Вы окончательно выводите продукт из эксплуатации, то получите информацию в ближайшем центре по вторичной переработке или в торговой сети о соответствующих предписаниях по утилизации.



Защищайте окружающую среду!

Аккумуляторы и батареи запрещается выбрасывать в бытовой мусор.

Неисправные аккумуляторы и разряженные батареи сдавайте в торговую организацию или в специальные сборные пункты.

Prosimy o uważne przeczytanie niniejszej instrukcji i przestrzeganie wszystkich instrukcji, wskazówek i ostrzeżeń zawartych w niniejszej instrukcji produktu. Pozwoli to przez cały czas zapewnić prawidłową instalację, zastosowanie oraz konserwację produktu. Niniejsza instrukcja MUSI być przez cały czas pozostawiana przy produkcie.

Korzystając z produktu, użytkownik potwierdza uważne przeczytanie wszelkich instrukcji, wskazówek i ostrzeżeń, ich zrozumienie oraz zobowiązuje się przestrzegać zawartych w nich warunków. Użytkownik zobowiązuje się wykorzystywać niniejszy produkt wyłącznie zgodnie z jego przeznaczeniem i zamierzonym zastosowaniem oraz z instrukcjami, wskazówkami i ostrzeżeniami wyszczególnionymi w niniejszej instrukcji produktu, jak również ze wszystkimi mającymi zastosowanie przepisami i regulacjami prawnymi. Nieprzestrzeganie zawartych tu instrukcji i ostrzeżeń może skutkować obrażeniami u użytkownika oraz osób trzecich, uszkodzeniem produktu lub też uszkodzeniem mienia w sąsiedztwie produktu. Zastrzegamy możliwość wprowadzania zmian i aktualizacji niniejszej instrukcji produktu, wraz z instrukcjami, wskazówkami i ostrzeżeniami oraz powiązaną dokumentacją. Aktualne informacje dotyczące produktu można zawsze znaleźć na stronie documents.dometic.com, dometic.com.

Powiązana dokumentacja



Szczegółową instrukcję obsługi oraz informacje na temat danych technicznych można znaleźć w internecie pod adresem

documents.dometic.com/?object_id=74832.

Wskazówki bezpieczeństwa



OSTRZEŻENIE!

Przestrzegać również wskazówek bezpieczeństwa na

str. 3 do str.4.

Podstawowe zasady bezpieczeństwa



OSTRZEŻENIE! Nieprzestrzeganie tych ostrzeżeń może prowadzić do śmierci lub ciężkich obrażeń.

Ryzyko porażenia prądem

- Nie używać urządzenia, jeśli ma ono widoczne uszkodzenia.
- Jeśli przewód prądu przemiennego urządzenia ulegnie uszkodzeniu, aby uniknąć zagrożenia, musi zostać on wymieniony przez producenta, jego serwis lub odpowiednio wykwalifikowaną osobę.
- Napraw mogą dokonywać tylko odpowiednio wykwalifikowane osoby. Nieodpowiednio wykonane naprawy mogą być przyczyną znacznych zagrożeń.

Ryzyko wybuchu

W urządzeniu nie wolno przechowywać substancji wybuchowych, np. sprayów z palnym gazem wytłaczającym.

Ryzyko pożaru

Czynnik chłodniczy w obiegu chłodniczym jest wysoce łatwopalny. W razie jakiegokolwiek uszkodzenia obiegu chłodniczego (zapachu amoniaku):

- Wyłączyć urządzenie.
- Unikać otwartego ognia i isker.
- Dobrze przewietrzyć pomieszczenie.

Zagrożenie zdrowia

- Nigdy nie należy otwierać agregatu absorpcyjnego. Ponieważ znajduje się on pod wysokim ciśnieniem, w przypadku otwarcia może spowodować obrażenia.
- Dzieci od 8 lat i osoby o ograniczonych możliwościach fizycznych, sensorycznych lub intelektualnych oraz osoby niedysponujące stosowną wiedzą i doświadczeniem mogą używać tego urządzenia jedynie pod nadzorem innej osoby bądź pod warunkiem uzyskania informacji dotyczących bezpiecznego użytkowania urządzenia i zrozumienia wynikających z tego zagrożeń.
- Dzieci nie mogą bawić się urządzeniem.
- Dzieci nie mogą czyścić i konserwować urządzenia bez nadzoru.
- Dzieci od 3 do 8 lat mogą umieszczać produkty w urządzeniach i wyjmować je z nich.

Uwaga na dzieci

- Upewnić się, że półki są zamontowane i zamocowane, aby wykluczyć ryzyko uwięzienia dzieci wewnątrz urządzenia.
- Przed utylizacją starego urządzenia chłodniczego:
 - Zdemonstrować szufladę.
 - Pozostawić półki w lodówce w taki sposób, aby dzieci nie mogły się po nich wspinać.



OSTROŻNIE! Nieprzestrzeganie tych uwag może prowadzić do lekkich lub umiarkowanych obrażeń.

Ryzyko obrażeń

- Nie dotykać zawiasu.
- Nie opierać się na otwartych drzwiach urządzenia.



UWAGA! Ryzyko uszkodzenia

- Aby uniknąć niebezpieczeństwa, wymianę lampki zlecać wyłącznie producentowi, w centrum serwisowym lub odpowiednio wykwalifikowanej osobie.
- Podczas czyszczenia pojazdu nie należy stosować myjki wysokociśnieniowej w pobliżu kratki wentylacyjnej.
- Pokrywy zimowe na kratce wentylacyjnej (akcesoria) należy montować również na czas czyszczenia pojazdu z zewnątrz lub w przypadku niekorzystania z urządzenia przez dłuższy czas.
- Urządzenie nie nadaje się do transportu substancji żrących lub zawierających rozpuszczalniki.
- Izolacja tego urządzenia zawiera palny cyklopentan, przez co wymaga ono specjalnej procedury utylizacyjnej. Po zaprzestaniu jego dalszej eksploatacji urządzenie należy dostarczyć do specjalistycznego zakładu utylizacyjnego.
- Należy stale utrzymywać czystość otworu odpływowego skroplin.
- Nigdy nie zanurzać urządzenia w wodzie.
- Chronić urządzenie i jego kable przed wysokimi temperaturami i wilgocią.
- Urządzenia nie wolno narażać na działanie deszczu.

Bezpieczne ustawianie i podłączanie urządzenia



OSTRZEŻENIE! Nieprzestrzeganie tych ostrzeżeń może prowadzić do śmierci lub ciężkich obrażeń.

Ryzyko pożaru

- Podczas transportowania uważać, aby nie uszkodzić obiegu chłodniczego urządzenia.
- Podczas ustawiania urządzenia należy uważać, aby nie przygnieść ani nie uszkodzić przewodu zasilającego.
- Nie umieszczać z tyłu urządzenia przedłużaczy z wieloma gniazdami ani przenośnych zasilaczy.



UWAGA! Ryzyko uszkodzenia

Ryzyko przegrzania!

Należy pamiętać, że ciepło powstające podczas eksploatacji musi być odpowiednio odprowadzane. Dbać o odpowiednią odległość urządzenia od ścian lub przedmiotów, zapewniając wystarczającą cyrkulację powietrza.

- Aby czynnik chłodniczy mógł prawidłowo krążyć w układzie, kąt nachylenia urządzenia nie może przekraczać 3°. Urządzenie należy wy poziomować przy użyciu poziomicy.
- Podczas transportu urządzenie chwycić tylko za korpus. Nigdy nie chwycić urządzenia za agregat absorpcyjny, żebra chłodzące, przewody gazu, drzwi lub panel obsługi.
- Nie ustawiać urządzenia w pobliżu otwartego ognia ani innych źródeł ciepła (ogrzewanie, bezpośrednie promieniowanie słoneczne, piece gazowe itp.).
- Urządzenie podłączać do sieci prądu przemienowego wyłączając za pomocą odpowiedniego przewodu przyłączeniowego.
- Zapytać producenta pojazdu, czy układ zasilania akumulatorem pojazdu wyłącza urządzenie w celu ochrony akumulatora.
- Jeśli urządzenie nie będzie używane przez dłuższy czas, drzwi urządzenia i zamrażalnika należy umieścić w pozycji zimowej. Pozwoli to zapobiec powstawaniu pleśni.

Bezpieczeństwo podczas eksploatacji urządzenia



OSTRZEŻENIE! Nieprzestrzeganie tych ostrzeżeń może prowadzić do śmierci lub ciężkich obrażeń.

Ryzyko porażenia prądem

- Przed uruchomieniem urządzenia należy sprawdzić, czy przewód zasilający i wtyczka są suche.
- Odłączyć urządzenie od zasilania
 - za każdym razem przed czyszczeniem i konserwacją,
 - po każdym użyciu.

Zagrożenie zdrowia

- Sprawdzić, czy wydajność chłodzenia urządzenia jest odpowiednia do przechowywania produktów spożywczych, które mają być w nim umieszczone.
- Urządzenie wykorzystywać tylko w dobrze wentylowanych przestrzeniach.
- Urządzenie należy zasilac tylko z jednego źródła energii na raz.
- Artykuły spożywcze mogą być przechowywane tylko w oryginalnych opakowaniach lub w odpowiednich pojemnikach.
- Pozostawianie urządzenia otwartego przez dłuższy czas może spowodować znaczny wzrost temperatury w jego komorach.

- Regularnie czyścić powierzchnie, które mogą mieć kontakt z żywnością i dostępnymi układami odprowadzania wody.
- Surowe mięso i ryby należy przechowywać w odpowiednich pojemnikach, tak aby nie miały one kontaktu z innymi produktami żywnościowymi ani nie kapąły na nie.
- Gdy temperatura w pomieszczeniu, w którym znajduje się urządzenie, przez dłuższy czas wynosi poniżej +10°C, nie można zapewnić równomiernej regulacji temperatury w zamrażalniku. Może to doprowadzić do wzrostu temperatury w zamrażalniku oraz do rozmrożenia przechowywanych w nim produktów.
- Jeśli urządzenie pozostaje puste przez długi czas:
 - Wyłączyć urządzenie.
 - Odmrozić urządzenie.
 - Oczyszczyć i osuszyć urządzenie.
 - Pozostawić otwarte drzwi, aby w urządzeniu nie rozwijała się pleśń.
- Jeśli urządzenie jest podłączone do gniazda prądu stałego: Zasilanie prądem stałym (z akumulatora) należy wybierać tylko w przypadku korzystania z układu monitorowania stanu akumulatora lub gdy alternator pojazdu dostarcza wystarczającej ilości napięcia.
- Jeśli urządzenie jest podłączone do gniazda prądu stałego: Podczas wyłączania silnika odłączać lub wyłączać urządzenie. W przeciwnym razie akumulator pojazdu może się rozładować.
- Uważać, aby nie zakrywać otworów wentylacyjnych.
- Wewnątrz urządzenia nie można używać żadnych urządzeń elektrycznych, za wyjątkiem urządzeń zalecanych przez producenta.
- Nie wypełniać wewnętrznego pojemnika cieczami lub lodem.
- Ciężkie przedmioty, takie jak butelki czy puszki, należy umieszczać wyłącznie w drzwiach urządzenia, w pojemniku na warzywa lub na dolnej półce.



OSTROŻNIE! Nieprzestrzeganie tych uwag może prowadzić do lekkich lub umiarkowanych obrażeń.

Ryzyko obrażeń

- Przed rozpoczęciem jazdy zamknąć i zablokować drzwi urządzenia.
- Znajdujący się z tyłu urządzenia agregat chłodniczy nagrzewa się podczas pracy do wysokiej temperatury. Przy zdejmowaniu krtek wentylacyjnych należy uważać, aby nie dotknąć gorących części.



UWAGA! Ryzyko uszkodzenia

- Należy porównać dane dotyczące napięcia na tabliczce znamionowej z dostępnym źródłem zasilania.
- Urządzenie można podłączać tylko:
 - Gniazdo prądu stałego: Należy stosować wyłącznie kable o odpowiednim przekroju.
 - Gniazdo prądu przemiennego: Należy używać wyłącznie dostarczonego kabla zasilania prądem przemiennym.
- Wtyczki nie wolno nigdy wyciągać z gniazda, ciągnąc za kabel.

Bezpieczna praca z zasilaniem gazowym



OSTRZEŻENIE! Nieprzestrzeganie tych ostrzeżeń może prowadzić do śmierci lub ciężkich obrażeń.

Ryzyko wybuchu

- Urządzenie może być zasilane wyłącznie gazem pod ciśnieniem podanym na tabliczce znamionowej. Stosować tylko ustawione na stałe regulatory ciśnienia, zgodne z krajowymi przepisami. Zastosować ustawiony na stałe reduktor z certyfikatem DIN DVGW zgodny z normą DIN EN 16129.
- W przypadku zasilania gazem urządzenie można wykorzystywać **tylko** na wolnym powietrzu.
- **Niebezpieczeństwo uduszenia!** Używanie urządzenia zasilanego gazem w niewentylowanym obszarze prowadzi do redukcji ilości tlenu na danym obszarze.
- Nie używać urządzenia z zasilaniem gazowym w obszarach bez wentylacji, takich jak zamknięte pomieszczenia, namioty, pojazdy, kampery, przyczepy kempingowe, statki, jachty, łódzie i kabiny pojazdów ciężarowych.
- Nie stawiać urządzenia w pobliżu palnych materiałów (papier, suche liście, tekstylia).

- Łatwopalne przedmioty trzymać z dala od palnika.
- **Nigdy** nie przechowywać butli z gazem płynnym w niewentylowanych miejscach lub pod poziomem podłoża (w stożkowych zagłębieniach).
- Butle z gazem płynnym należy chronić przed bezpośrednim światłem słonecznym. Temperatura nie może przekraczać 50°C.
- Nigdy nie sprawdzać szczelności urządzenia, korzystając z otwartego ognia.
- W przypadku pojawienia się zapachu gazu należy postępować zgodnie z poniższymi wskazówkami:
 - Zamknąć zawór odcinający zasilanie gazem oraz zawór butli.
 - Nie naciskać żadnych przełączników elektrycznych.
 - Zgasić wszystkie otwarte źródła ognia.
 - Zlecić kontrolę instalacji gazowej specjalistycznej firmie.
- Nie pozostawiać urządzenia pracującego w trybie gazowym bez nadzoru.



UWAGA! Ryzyko uszkodzenia

Korzystać tylko z propanu lub butanu (nie korzystać z gazu ziemnego).

Użytkowanie zgodne z przeznaczeniem

Przenośne urządzenie chłodnicze jest przeznaczone do użytku domowego i podobnych zastosowań, w obszarach takich jak:

- W kuchniach dla personelu w sklepach, biurach i innych miejscach pracy
- W gospodarstwach rolnych
- Do użytku przez gości w hotelach, motelach i innych rodzajach zakwaterowania
- W pensjonatach i na kwaterach prywatnych
- W cateringu i podobnych zastosowaniach niedetalicznych

Urządzenie nadaje się do:

- Zastosowania na kempingu
- Chłodzenia i przechowywania żywności oraz przechowywania mrożonej żywności

- Zasilania prądem stałym, prądem przemiennym lub gazem

Urządzenie **nie** nadaje się do:

- Zastosowania jako urządzenie do zabudowy
- Przechowywania leków
- Przechowywania substancji żrących lub zawierających rozpuszczalniki

Niniejszy produkt jest przystosowany wyłącznie do wykorzystywania zgodnie z jego przeznaczeniem oraz zamierzonym zastosowaniem według niniejszej instrukcji.

Niniejsza instrukcja zawiera informacje, które są niezbędne do prawidłowego montażu i/lub obsługi urządzenia. Nieprawidłowy montaż i/lub niewłaściwa obsługa lub konserwacja powodują niezadowolające działanie i mogą prowadzić do uszkodzeń.

Producent nie ponosi żadnej odpowiedzialności za ewentualne obrażenia lub uszkodzenia produktu wynikłe z następujących przyczyn:

- Nieprawidłowy montaż lub podłączenie, w tym zbyt wysokie napięcie
- Niewłaściwa konserwacja lub użycie innych części zamiennych niż oryginalne części zamienne dostarczone przez producenta
- Wprowadzanie zmian w produkcie bez wyraźnej zgody producenta
- Użytkowanie w celach innych niż opisane w niniejszej instrukcji obsługi

Firma Dometic zastrzega sobie prawo do zmiany wyglądu i specyfikacji produktu.

Ustawianie i obsługa

Postępować w sposób zilustrowany na strona 5 do strona 13:

- Ustawianie urządzenia: rys. **1**
- Podłączanie urządzenia do zasilania prądem stałym: rys. **2**
- Podłączanie urządzenia do zasilania prądem przemiennym: rys. **3**
- Podłączanie urządzenia do zasilania gazem: rys. **4** – rys. **5**
- Włączanie z zasilaniem 12 V: rys. **6**

- Włączanie z zasilaniem 240 V: rys. **7**
- Włączanie z zasilaniem gazem: rys. **8**
- Umieszczanie żywności: rys. **9**
- Wyłączanie urządzenia: rys. **10**
- Wymiana filtra gazu: rys. **11**
- Wymiana baterii zapłonu: rys. **12**

Gwarancja

Obowiązuje ustawowy okres gwarancji.
W przypadku stwierdzenia uszkodzenia produktu należy zgłosić się do jego sprzedawcy lub oddziału producenta w danym kraju (patrz dometic.com/dealer).

W celu naprawy lub rozpatrzenia gwarancji konieczne jest przesłanie następujących dokumentów:

- Kopii rachunku z datą zakupu
- Informacji o przyczynie reklamacji lub opisu wady

Utylizacja

► Opakowanie należy wyrzucić do odpowiedniego pojemnika na śmieci do recyklingu.



Jeżeli produkt nie będzie dłużej eksploatowany, koniecznie dowiedz się w najbliższym zakładzie recyklingu lub w specjalistycznym sklepie, jakie są aktualnie obowiązujące przepisy dotyczące utylizacji.



Chroń środowisko naturalne!

Akumulatory i baterie nie zaliczają się do odpadów domowych.

Uszkodzone akumulatory lub zużyte baterie należy przekazać do punktu sprzedaży lub punktu przyjmującego surowce wtórne.

Dôkladne si prečítajte tento návod a dodržiavajte všetky pokyny, usmernenia a varovania uvedené v tomto návode k výrobku, aby bolo zaručené, že výrobok bude vždy správne nainštalovaný, používaný a udržiavaný. Tento návod MUSÍ zostať priložený k výrobku.

Používaním tohto výrobku týmto potvrdzujete, že ste si dôkladne prečítali všetky pokyny, usmernenia a varovania a že rozumiete a súhlasíte s dodržiavaním všetkých uvedených podmienok. Súhlasíte, že tento výrobok budete používať iba v súlade s určeným použitím a v súlade s pokynmi, usmerneniami a varovaniami uvedenými v tomto návode k výrobku, ako aj v súlade so všetkými platnými zákonmi a nariadeniami. V prípade, že si neprečítate a nebudete sa riadiť pokynmi a varovaniami uvedenými v tomto návode, môže mať za následok vaše poranenie alebo poranenie iných osôb, poškodenie vášho výrobku alebo poškodenie majetku v jeho blízkosti. Tento návod na obsluhu výrobku vrátane pokynov, usmernení a varovaní, a súvisiaca dokumentácia môže podliehať zmenám a aktualizáciám. Najaktuálnejšie informácie o výrobku nájdete na adrese documents.dometic.com, dometic.com.

Súvisiace dokumenty



Podrobný návod na obsluhu a informácie o technických údajov nájdete online na adrese documents.dometic.com/?object_id=74832.

Bezpečnostné pokyny



VÝSTRAHA!

Dodržiujte tiež bezpečnostné pokyny na strane 3 až 4.

Základy bezpečnosti



VÝSTRAHA! Nedodržanie týchto varovaní môže mať za následok smrť alebo vážne poranenie.

Nebezpečenstvo úrazu elektrickým prúdom

- Keď zariadenie vykazuje viditeľné poškodenia, nesmiete ho uvádzať do prevádzky.
- Keď je pripájací kábel na striedavý prúd tohto zariadenia poškodený, musí jeho výmenu vykonať výrobca alebo jeho služby zákazníkom alebo podobne spôsobilá osoba, aby nehrozili žiadne nebezpečenstvá.
- Opravy na tomto zariadení smie vykonávať len spôsobilý personál. Nesprávne opravy môžu zapríčiniť vážne riziká.

Nebezpečenstvo výbuchu

V zariadení neskladujte látky, u ktorých hrozí nebezpečenstvo výbuchu napr. sprejové nádoby s horľavým hnacím plynom.

Nebezpečenstvo požiaru

Chladiaci prostriedok v chladiacom okruhu je vysoko horľavý. V prípade poškodenia chladiaceho okruhu (zápach amoniaku):

- Vypnite zariadenie.
- Nepoužívajte otvorený oheň a zabráňte vzniku iskier.
- Dobre vyvetrajte priestor.

Nebezpečenstvo ohrozenia zdravia

- Nikdy neotvárajte absorpčný agregát. Je pod vysokým tlakom a v prípade jeho otvorenia môže spôsobiť poranenia.
- Toto zariadenie smú používať deti od 8 rokov a osoby so zníženými psychickými, zmyslovými alebo mentálnymi schopnosťami a vedomosťami, keď sú pod dozorom alebo keď boli poučené o bezpečnom používaní zariadenia a chápu, aké riziká z toho vyplývajú.
- Deti sa nesmú hrať so zariadením.
- Čistenie a bežnú údržbu nesmú vykonávať deti bez dozoru.
- Deti vo veku od 3 do 8 rokov smú vkladať potraviny do zariadení a tiež ich z nich vyberať.

Nebezpečenstvo uväznenia detí

- Postarajte sa, aby police boli namontované a zaistené, takže deti sa nebudú môcť zavrieť v zariadení.
- Pred likvidáciou vašej starej chladničky:
 - Rozmontujte zásuvky.
 - Nechajte zásuvky v chladničke, aby deti nemohli vojsť dnu.



OPOZORNENIE! Nedodržanie týchto upozornení môže mať za následok drobné alebo stredne ťažké poranenie.

Nebezpečenstvo poranenia

- Nesiahajte do závesu.
- Neopierajte sa o otvorené dvere zariadenia.



POZOR! Nebezpečenstvo poškodenia

- Kontrolku smie vymeniť len výrobca, servisný technik alebo osoba s podobnou kvalifikáciou, aby sa zabránilo nebezpečenstvu.
- Pri čistení vozidla nepoužívajte v priestore vetracej mriežky žiadny vysokotlakový vodný čistič.
- Zimné kryty vetracej mriežky (príslušenstvo) namontujte, keď budete vozidlo umývať zvonku alebo na dlhší čas ho vyradíte z prevádzky.

- Zariadenie nie je vhodné na prepravu žieravých látok alebo látok s obsahom rozpúšťadiel.
- Izolácia zariadenia obsahuje horľavý cyklopentán a vyžaduje si špeciálne postupy pri likvidácii. Po uplynutí jeho životnosti odovzdajte zariadenie na príslušnom recyklačnom stredisku.
- Otvor na odtok kondenzátu vždy udržiavajte čistý.
- Zariadenie nikdy neponárajte do vody.
- Chráňte zariadenie a káble pred vysokými teplotami a vlhkosťou.
- Zariadenie nevystavujte dažďu.
- Zariadenie pripojte pomocou príslušného pripájacieho kábla na striedavý prúd k zásuvke striedavého prúdu.
- Informujte sa u výrobcu vášho vozidla, či správa batérie vozidla vypne zariadenia za účelom ochrany batérie.
- Umiestnite dvere zariadenia a dvierka mraziaceho priečinku do zimnej polohy, ak zariadenie nebudete dlhšiu dobu používať. Vyhnete sa tak tvorbe plesní.

Bezpečnosť pri prevádzke zariadenia



VÝSTRAHA! Nedodržanie týchto varovaní môže mať za následok smrť alebo vážne poranenie.

Nebezpečenstvo úrazu elektrickým prúdom

- Pred uvedením zariadenia do prevádzky dbajte na to, aby bolo suché prívodné vedenie a zástrčka.
- Zariadenie odpojte od zdroja napätia
 - pred každým čistením a údržbou,
 - po každom použití.

Nebezpečenstvo ohrozenia zdravia

- Skontrolujte, či chladiaci výkon zariadenia zodpovedá požiadavkám potravín určených na chladenie.
- Zariadenie prevádzkujte len na dobre vetraných miestach.
- Chladiaci box používajte vždy len s jedným zdrojom energie.
- Jedlo sa smie skladovať iba v pôvodnom balení alebo vo vhodných nádobách.
- Otvorenie zariadenia na dlhšiu dobu môže spôsobiť výrazné zvýšenie teploty v priehradkách zariadenia.
- Pravidelne čistite povrchy, ktoré môžu prísť do kontaktu s potravinami a prístupnými systémami na odvádzanie kondenzátu.
- Surové mäso a ryby uchovávajte vo vhodných nádobách v zariadení tak, aby neboli v kontakte s inými potravinami ani na ne nekvapkali.
- Ak je zariadenie dlhšiu dobu vystavené izbovej teplote pod +10 °C, v mraziacej priehradke nie je možné zaručiť stálu teplotu. To môže viesť k zvýšeniu teploty v mraziacej priehradke a uložené potraviny sa môžu rozmraziť.

Bezpečné umiestnenie a pripojenie zariadenia



VÝSTRAHA! Nedodržanie týchto varovaní môže mať za následok smrť alebo vážne poranenie.

Nebezpečenstvo požiaru

- Pri preprave sa postarajte, aby nedošlo k poškodeniu chladiaceho okruhu zariadenia.
- Pri umiestňovaní zariadenia sa ubezpečte, že napájací kábel nie je zachytený alebo poškodený.
- Neumiestňujte žiadne viacnásobné prenosné zásuvky alebo prenosné napájacie adaptéry na zadnú stranu zariadenia.



POZOR! Nebezpečenstvo poškodenia

Riziko prehriatia!

- Dbajte na to, aby sa teplo, ktoré vzniká pri prevádzke, mohlo dostatočne odvádzať. Zabezpečte, aby zariadenie bolo v dostatočnej vzdialenosti od stien alebo predmetov, takže bude zaručená cirkulácia vzduchu.
- Pre riadnu cirkuláciu chladiava nesmie byť prekročený uhol naklonenia zariadenia o viac ako 3°. S pomocou vodováhy sa ubezpečte, že zariadenie je vo vodorovnej polohe.
- Pri preprave držte zariadenie iba za korpus. Nikdy nedržte zariadenie za absorpčný agregát, chladiace rebrá, plynové vedenia, dvere alebo ovládací panel.
- Neumiestňujte zariadenie do blízkosti otvoreného plameňa alebo iných zdrojov tepla (ohrievače, priame slnečné žiarenie, plynové rúry atď.).

- Ak zariadenie ponecháte prázdne na dlhý čas:
 - Vypnite zariadenie.
 - Odmrazte zariadenie.
 - Zariadenie vyčistíte a usušite.
 - Nechajte dvierka otvorené, aby ste zabránili tvorbe plesní vnútri zariadenia.



POZORNIE! Nedodržanie týchto upozornení môže mať za následok drobné alebo stredne ťažké poranenie.

Nebezpečenstvo poranenia

- Pred cestou zatvorte a zaistíte dvere zariadenia.
- Chladiaci agregát na zadnej strane zariadenia je pri prevádzke veľmi horúci. Chráňte sa pred kontaktom s teplovodivými dielmi pri demontovaných vetracích mriežkach.



POZOR! Nebezpečenstvo poškodenia

- Skontrolujte, či údaje o napätí na typovom štítku súhlasia s existujúcim zdrojom napätia.
- Zariadenie pripájajte iba nasledovne:
 - Zásuvka s jednosmerným prúdom: Používajte len káble s vhodným prierezom vodiča.
 - Zásuvka so striedavým prúdom: Používajte len dodaný kábel na striedavý prúd
- Konektor nikdy nevyťahujte zo zásuvky za kábel.
- Keď je zariadenie pripojené k zásuvke s jednosmerným prúdom: Prevádzku na jednosmerný prúd (prevádzka na batériu) zvolte len vtedy, ak používate indikátor batérie alebo ak generátor vozidla poskytuje dostatočné napätie.
- Keď je zariadenie pripojené k zásuvke s jednosmerným prúdom: Pri vypínaní motora odpojte zariadenie alebo ho vypnite. Inak sa môže vybiť batéria vozidla.
- Dbajte na to, aby vetracie otvory neboli zakryté.
- Nepoužívajte žiadne zariadenia vnútri zariadenia, okrem prípadu, keď výrobca odporúča používanie týchto zariadení takýmto spôsobom.
- Do vnútorného zásobníka neplňte ľad ani žiadne kvapaliny.
- Ťažké predmety ako fľaše alebo plechovky ukladajte výlučne do dverí zariadenia, do zásuvky na zeleninu alebo na spodnú policu.

Bezpečná prevádzka na plyn



VÝSTRAHA! Nedodržanie týchto varovaní môže mať za následok smrť alebo vážne poranenie.

Nebezpečenstvo výbuchu

- Zariadenie sa smie prevádzkovať výlučne s tlakom uvedeným na typovom štítku. Používajte len pevne nastavené regulátory tlaku, ktoré vyhovujú národným predpisom. Používajte pevne nastavený redukčný tlakový ventil schválený DIN-DVGW v súlade s normou DIN EN 16129.
- Pri prevádzke na plyn sa zariadenie smie používať **iba** na voľnom priestranstve.
- **Nebezpečenstvo udusení!** Prevádzka zariadenia s plynom v nevetranom priestore vedie k nedostatku kyslíka v tomto priestore.
 - Neprevádzkujte zariadenie s plynom v nevetraných priestoroch, ako sú uzavreté miestnosti, stany, motorové vozidlá, obytné vozidlá, karavany, lode, jachty, člny a kabíny nákladných vozidiel/kamiónov.
 - Neumiestňujte zariadenie do blízkosti horľavých materiálov (papier, suché lístie, textilie).
 - Horľavé predmety neskladujte v blízkosti horáka.
 - Fľaše so skvapalneným plynom **nikdy** neuchovávajte na nevetraných miestach alebo pod úrovňou podlahy (lievikovité priehlbne v zemi).
 - Fľaše so skvapalneným plynom chráňte pred priamym slnečným žiarením. Teplota nesmie presiahnuť 50 °C.
 - Nikdy nekontrolujte zariadenie na netesnosť pomocou otvoreného plameňa.
 - Ak začítate zápach plynu:
 - Zatvorte uzatvárací kohútik prívodu plynu a ventil fľaše.
 - Nestláčajte žiadne elektrické spínače.
 - Zahaste otvorený plameň.
 - Plynovú sústavu nechajte skontrolovať odborníkom.
- Nenechávajte zariadenie bez dozoru, ak ho prevádzkujete s plynom.



POZOR! Nebezpečenstvo poškodenia

Používajte len propán alebo bután (žiadny zemný plyn).

Používanie v súlade s určením

Mobilný chladiaci spotrebič je určený na použitie v domácnosti a na podobné použitie, napríklad:

- v kuchynkách pre zamestnancov v obchodoch, kanceláriách a iných pracovných prostrediach,
- na chalupách,
- zákazníkmi v hoteloch, motelloch a v iných typoch ubytovacích zariadení,
- v zariadeniach typu Bed and Breakfast,
- v kateringovej alebo podobných veľkoobchodných zariadeniach.

Zariadenie je vhodné na:

- kempingové účely,
- chladenie a skladovanie potravín, ako aj skladovanie mrazených potravín,
- prevádzku na jednosmerný prúd, striedavý prúd alebo plyn.

Zariadenie **nie je** vhodné na:

- použitie ako spotrebič na zabudovanie,
- skladovanie liekov,
- skladovanie korozívnych látok alebo látok s obsahom rozpúšťadiel,

Tento výrobok je vhodný iba na použitie na určený účel a použitie v súlade s týmto návodom.

Tento návod obsahuje informácie, ktoré sú nevyhnutné pre správnu inštaláciu a/alebo obsluhu zariadenia. Chybná inštalácia a/alebo nesprávna obsluha či údržba bude mať za následok neuspokojivý výkon a možnú poruchu.

Výrobca nenesie žiadnu zodpovednosť za akékoľvek poranenia či škody na výrobku spôsobené:

- nesprávnou montážou alebo pripojením vrátane nadmerného napätia
- nesprávnou údržbou alebo použitím iných ako originálnych náhradných dielov poskytnutých výrobcom
- Zmeny produktu bez výslovného povolenia výrobcu
- Použitie na iné účely než na účely opísané v návode

Firma Dometic si vyhradzuje právo na zmenu vzhľadu a technických parametrov výrobku.

Postavenie a prevádzka

Postupujte tak, ako je to znázornené na strane 5 až strane 13:

- Umiestnenie zariadenia: obr. **1**
- Pripojenie chladiaceho zariadenia na jednosmerný prúd: obr. **2**
- Pripojenie chladiaceho zariadenia na striedavý prúd: obr. **3**
- Pripojenie zariadenia k plynu: obr. **4** – obr. **5**
- Zapnutie 12 V napájania: obr. **6**
- Zapnutie 240 V napájania: obr. **7**
- Zapnutie prívodu plynu: obr. **8**
- Vloženie potravín: obr. **9**
- Vypnutie zariadenia: obr. **10**
- Výmena plynového filtra: obr. **11**
- Výmena batérie zapalovania: obr. **12**

Záruka

Platí zákonom stanovená záručná lehota. Ak je výrobok poškodený, obráťte sa na svojho predajcu alebo pobočku výrobcu vo svojej krajine (pozri dometic.com/dealer).

Ak žiadate o vybavenie opravy alebo nárokov vyplývajúcich zo záruky, musíte priložiť nasledovné podklady:

- kópiu faktúry s dátumom kúpy,
- dôvod reklamácie alebo opis chyby.

Likvidácia

- Obalový materiál podľa možnosti odovzdajte do príslušného odpadu na recykláciu.



Keď výrobok definitívne vyradíte z prevádzky, informujte sa v najbližšom recyklačnom stredisku alebo u vášho špecializovaného predajcu o príslušných predpisoch týkajúcich sa likvidácie.



Chráňte životné prostredie!

Akumulátory a batérie nepatria do domového odpadu.

Poškodené akumulátory alebo spotrebované batérie odovzdajte priamo u predajcu alebo v zbernom mieste.

Pečlivě si prosím přečtěte a dodržujte všechny pokyny, směrnice a varování obsažené v tomto návodu k výrobku, abyste měli jistotu, že výrobek budete vždy správně instalovat, používat a udržovat. Tyto pokyny MUSÍ být uchovávány v blízkosti výrobku.

Používáním výrobku tímto potvrzujete, že jste si pečlivě přečetli všechny pokyny, směrnice a varování a že rozumíte podmínkám uvedeným v tomto dokumentu a souhlasíte s nimi. Souhlasíte s používáním tohoto výrobku pouze k určenému účelu a použití a v souladu s pokyny, směrnicemi a varováními uvedenými v tomto návodu k výrobku a v souladu se všemi příslušnými zákony a předpisy. Pokud si nepřečtete a nebudete dodržovat zde uvedené pokyny a varování, může to vést ke zranění vás i ostatních, poškození vašeho výrobku nebo poškození jiného majetku v okolí. Tento návod k výrobku, včetně pokynů, směrnic a varování a související dokumentace může být předmětem změn a aktualizací. Aktuální informace o výrobku naleznete na stránkách documents.dometic.com, dometic.com.

Související dokumenty



Podrobný provozní návod a informace o technických údajích najdete online na adrese

documents.dometic.com/?object_id=74832.

Bezpečnostní pokyny



VÝSTRAHA!

Dodržujte také bezpečnostní pokyny na straně 3 až straně 4.

Základní bezpečnost



VÝSTRAHA! Nedodržení těchto varování by mohlo mít za následek smrt nebo vážné zranění.

Nebezpečí usmrcení elektrickým proudem

- V případě, že je přístroj viditelně poškozen, nesmíte ho používat.
- Pokud je přívodní kabel střídavého proudu tohoto přístroje poškozen, musí být vyměněn výrobcem, zákaznickým servisem nebo odborníkem s podobnou kvalifikací tak, aby nevzniklo nebezpečí.
- Opravy tohoto přístroje smějí provádět pouze kvalifikovaní pracovníci. Nesprávné opravy mohou způsobit značné nebezpečí.

Nebezpečí výbuchu

Neskladujte v přístroji výbušné látky, jako např. spreje s hořlavým hnacím plynem.

Nebezpečí požáru

Chladivo v chladicím okruhu je vysoce hořlavé. Při jakémkoli poškození chladicího okruhu (výskytu čpavkového zápachu):

- Vypněte přístroj.
- Pozor na otevřený plamen a jiskření.
- Dobře větrejte místnost.

Nebezpečí ohrožení zdraví

- Nikdy neotevírejte absorpční agregát. Je pod vysokým tlakem a může v případě otevření způsobit zranění.
- Tento přístroj mohou používat děti od 8 let a osoby se sníženými fyzickými, smyslovými nebo duševními schopnostmi nebo s nedostatečnými zkušenostmi a znalostmi, pokud jsou pod dohledem nebo obdržely pokyny týkající se používání přístroje bezpečným způsobem a porozuměly souvisejícím nebezpečím.
- Děti si s přístrojem nesmí hrát.
- Čištění a běžnou údržbu nesmějí provádět děti bez dozoru.
- Děti ve věku od 3 do 8 let mohou přístroje plnit a vyprazdňovat.

Pozor na děti!

- Ujistěte se, že police jsou upevněny a zajištěny, aby děti nemohly samy sebe uzamknout v přístroji.
- Před likvidací chladničky:
 - Vyjměte zásuvku.
 - Nechejte v chladničce police, aby se dovnitř nemohly dostat děti.



UPOZORNĚNÍ! Nedodržení těchto upozornění by mohlo vést k lehkému nebo středně závažnému úrazu.

Nebezpečí zranění

- Nesahejte do závěsu.
- Nenaklánejte se nad otevřená dvířka přístroje.



POZOR! Nebezpečí poškození

- Osvětlení může vyměnit pouze výrobce, zástupce servisu nebo podobně kvalifikovaná osoba, aby se zamezilo nebezpečí.
- Při čištění vozidla v místě větrací mřížky nepoužívejte vysokotlaký vodní čistič.
- Zimní kryty větrací mřížky (příslušenství) namontujte, pokud se vozidlo čistí z vnější strany nebo je na delší dobu odstaveno z provozu.

- Příklad není vhodný k přepravě leptavých látek nebo látek s obsahem rozpouštědel.
- Izolace přístroje obsahuje hořlavý cyklopentan a vyžaduje speciální postupy likvidace. Příklad odevzdejte na konci jeho životního cyklu do příslušného recyklačního střediska.
- Udržujte otvor na kondenzát vždy čistý.
- Příklad nikdy neponořujte do vody.
- Příklad a kabely chraňte před horkem a vlhkem.
- Příklad nesmí být vystaven dešti.

Bezpečné umístění a připojení přístroje



VÝSTRAHA! Nedodržení těchto varování by mohlo mít za následek smrt nebo vážné zranění.

Nebezpečí požáru

- Dávejte při přepravě pozor, abyste nepoškodili okruh přístroje.
- Při umístění přístroje se ujistěte, že není zachycen nebo poškozen přívodní kabel.
- Přenosné vícenásobné zásuvky nebo přenosné napájecí zdroje neumísťte v zadní části přístroje.



POZOR! Nebezpečí poškození

Riziko přehřátí!

- Vždy dbejte, aby bylo teplo vznikající za provozu zařízení dostatečně odváděno. Zajistěte, aby byl chladicí přístroj postaven v dostatečné vzdálenosti od stěn nebo předmětů tak, aby mohl vzduch cirkulovat.
- K řádné cirkulaci chladiva nesmí přístroj stát se sklonem pod úhlem větším než 3°. K tomu účelu nastavte přístroj vodorovně pomocí vodováhy.
 - Příklad při přepravě přidržujte pouze za jeho těleso. Příklad nikdy nepřidržujte za absorpční agregát, chladicí žebra, plynová potrubí, dvířka ani ovládací panel.
 - Příklad neinstalujte v blízkosti otevřeného ohně nebo jiných tepelných zdrojů (topení, přímé sluneční záření, plynová kamna apod.).
 - Pro připojení přístroje k síti se střídavým proudem používejte pouze příslušný přívodní kabel na střídavý proud.
 - Požádejte svého výrobce vozidla, zda řízení baterie vašeho vozidla vypne přístroje k ochraně baterie.
 - Dojde-li k delší době nepoužívání přístroje, umístěte dvířka přístroje a dvířka mrazničky do zimní polohy. Tak se zabrání tvorbě plísň.

Bezpečnost za provozu přístroje



VÝSTRAHA! Nedodržení těchto varování by mohlo mít za následek smrt nebo vážné zranění.

Nebezpečí usmrcení elektrickým proudem

- Před uvedením přístroje do provozu zkontrolujte, zda jsou přívodní kabel a zástrčka suché.
- Odpojte přístroj od elektrického napájení
 - před každým čištěním a údržbou,
 - po každém použití.

Nebezpečí ohrožení zdraví

- Zkontrolujte, zda chladicí výkon přístroje odpovídá požadavkům potravin, které chcete chladit.
- Příklad provozujte pouze na dobře větraných místech.
- Příklad vždy provozujte pouze se zdrojem energie.
- Skladujte potraviny pouze v originálním balení nebo ve vhodných nádobách.
- Otevření přístroje na delší dobu může způsobit značné zvýšení teploty v přihrádkách přístroje.
- Pravidelně čistěte povrchy, které se mohou dostat do kontaktu s potravinami a přístupnými odtokovými systémy.
- Syrové maso a ryby uchovávejte v přístroji ve vhodných nádobách, aby se nedostaly do kontaktu s ostatními potravinami nebo na ně nemohly kapat.
- V případě, že je přístroj vystaven po delší dobu pokojové teplotě do +10 °C, nelze zaručit rovnoměrnou regulaci teploty v mrazicím boxu. To může vést ke zvýšení teploty v mrazicím boxu a rozmrazení skladovaného zboží.
- Je-li přístroj ponechán prázdný po dlouhou dobu:
 - Vypněte přístroj.
 - Odmrázte přístroj.
 - Vyčistěte a vysušte přístroj.
 - Nechejte dvířka otevřená, aby se zabránilo tvorbě plísň uvnitř přístroje.



UPOZORNĚNÍ! Nedodržení těchto upozornění by mohlo vést k lehkému nebo středně závažnému úrazu.

nebezpečí zranění

- Před zahájením jízdy zavřete a zamkněte dvířka přístroje.

- Chladicí jednotka na zadní straně přístroje se za provozu velmi zahřívá. Jsou-li větrací mřížky odstraněné, chráňte se před kontaktem s částmi vedoucími teplo.



POZOR! Nebezpečí poškození

- Zkontrolujte, zda údaj o napětí na typovém štítku odpovídá údajům pro zdroje napájení.
- Připojte přístroj pouze následujícím způsobem:
 - Zásuvka stejnosměrného proudu: Používejte pouze kabely o odpovídajícím průřezu.
 - Zásuvka střídavého proudu: Používejte pouze dodaný kabel střídavého proudu.
- Nikdy nevytahujte zástrčku ze zásuvky tahem za kabel.
- Pokud je přístroj připojen k zásuvce stejnosměrného proudu: Provoz na stejnosměrný proud (provoz na baterii) vyberte pouze za předpokladu, že používáte snímač baterie, nebo pokud generátor vozidla dodává dostatečné napětí.
- Pokud je přístroj připojen k zásuvce stejnosměrného proudu: Po vypnutí motoru přerušete spojení nebo vypnete přístroj. V opačném případě může dojít k vybití baterie vozidla.
- Pamatujte, že nesmějí být zakryty větrací otvory.
- Nepoužívejte uvnitř přístroje žádné elektrické přístroje, pouze pokud jsou k tomu takové přístroje doporučeny výrobcem.
- Do vnitřní nádoby nelijte žádné kapaliny ani do ní nedávejte led.
- Těžké předměty, např. láhve nebo plechovky, uchovávejte výhradně ve dvířkách přístroje, v přihrádce na potraviny nebo na spodní polici.

Bezpečný provoz na plyn



VÝSTRAHA! Nedodržení těchto varování by mohlo mít za následek smrt nebo vážné zranění.

Nebezpečí výbuchu

- Přístroj používejte výhradně pod tlakem uvedeným na typovém štítku. Používejte pouze pevně nastavené regulátory tlaku, které odpovídají národním předpisům. Používejte pevně instalovaný tlakový regulátor homologovaný podle DIN-DVGW v souladu s DIN EN 16129.
- Přístroj se v provozu na plyn smí používat **pouze** ve venkovním prostoru.

• Nebezpečí udušení!

- Provoz přístroje s plynem v nevětraném prostoru vede k nedostatku kyslíku v tomto prostoru.
- Přístroj nepoužívejte s plynem v nevětraných prostorech, např. uzavřené místnosti, stany, motorová vozidla, obytné vozy, karavany, plavidla, jachty, čluny a kabiny nákladních vozidel.
- Přístroj neumísťujte do blízkosti hořlavých materiálů (papíru, suchého listí, textilu).
- Hořlavé předměty udržujte v bezpečné vzdálenosti od hořáků.
- **Nikdy** neskladujte láhve se zkpalněným plynem na nevětraných místech nebo pod úrovní podlahy (nálevkovité vybrání v podlaze).
- Chraňte láhve se zkpalněným plynem před přímým slunečním zářením. Teplota nesmí překročit 50 °C.
- Nikdy nekontrolujte netěsnosti přístroje otevřeným plamenem.
- Pokud cítíte plyn:
 - Uzavřete uzavírací kohout přívodu plynu a ventil láhve.
 - Neaktivujte žádné elektrické spínače.
 - Uhasťte otevřené plameny.
 - Plynovou instalaci nechejte zkontrolovat odbornou firmou.
- Přístroj v provozu na plyn nikdy nenechávejte bez dozoru.



POZOR! Nebezpečí poškození

Používejte pouze propan nebo butan (nikoli zemní plyn).

Použití v souladu s účelem

Mobilní chladicí spotřebič je určen pro použití v domácnostech a podobných aplikacích, jako jsou:

- Kuchyňky pro personál v obchodech, kancelářích a jiných pracovních prostorách,
- Farmy,
- Klienti v hotelech, motelech a jiných prostředích rezidenčního typu,
- Ubytovací zařízení typu bed and breakfast,
- Stravovací a podobná zařízení neobchodního typu.

Přístroj je vhodný pro:

- Použití při kempování

- Chlazení a uchovávání potravin i mražených
- Provoz na stejnosměrný, střídavý proud nebo plyn

Přístroj se **nehodí** pro:

- Použití jako vestavný spotřebič
- Skladování léčiv
- Skladování žiravých látek nebo látek s obsahem rozpouštědel

Tento výrobek je vhodný pouze k určenému účelu a použití v souladu s tímto návodem.

Tento návod poskytuje informace, které jsou nezbytné pro řádnou instalaci a/nebo provoz přístroje. Nedostatečná instalace a/nebo nesprávný provoz či údržba povedou k neuspokojivému výkonu a možné závadě.

Výrobce nepřijímá žádnou odpovědnost za jakékoli zranění nebo poškození výrobku vyplývající z následujícího:

- Nesprávné sestavení nebo připojení včetně naměrného napětí
- Nesprávná údržba nebo použití jiných náhradních dílů než původních dílů dodaných výrobcem
- Změna výrobku bez výslovného souhlasu výrobce
- Použití k jiným účelům, než jsou popsány v tomto návodu

Společnost Dometic si vyhrazuje právo změnit vzhled a specifikace výrobku.

Instalace a provoz

Postupujte podle obrázku strana 5 až strana 13:

- Umístění přístroje: obr. **1**
- Připojení přístroje k napájení stejnosměrným proudem: obr. **2**
- Připojení přístroje k napájení střídavým proudem: obr. **3**
- Připojení přístroje k plynu: obr. **4** – obr. **5**
- Zapnutí napájení 12 V: obr. **6**
- Zapnutí napájení 240 V: obr. **7**
- Zapnutí plynového napájení: obr. **8**
- Umístění potravin: obr. **9**
- Vypnutí přístroje: obr. **10**

- Výměna plynového filtru: obr. **11**
- Výměna baterie zapalování: obr. **12**

Odpovědnost za vady

Na výrobek je poskytována záruka v souladu s platnými zákony. Pokud je výrobek vadný, kontaktujte svého specializovaného prodejce nebo pobočku výrobce ve vaší zemi (viz dometic.com/dealer).

K vyřízení opravy nebo záruky nezapomeňte odeslat následující dokumenty:

- Kopii účtenky s datem zakoupení,
- Uvedení důvodu reklamace nebo popis vady.

Likvidace

► Obalový materiál likvidujte v odpadu určeném k recyklaci.



Jakmile výrobek zcela vyřadíte z provozu, informujte se v příslušných recyklačních centrech nebo u specializovaného prodejce o příslušných předpisech o likvidaci odpadu.



Chraňte životní prostředí!

Akumulátory a baterie nepatří do domovního odpadu.

Odevzdejte vadné akumulátory nebo vybité baterie prodejci nebo na sběrném místě.

A termék mindenkor szakszerű telepítése, használata és karbantartása érdekében kérjük figyelmesen olvassa el az ebben a termék kézikönyvben található utasításokat, irányelveket és figyelmeztetéseket, valamint mindig tartsa be ezeket. Ezt az útmutatót a termék közelében KELL tartani.

A termék használatba vételével Ön kijelenti hogy figyelmesen elolvasta az összes utasítást, irányelvet és figyelmeztetést, valamint megértette és elfogadja az itt leírt szerződési feltételeket. Ön elfogadja, hogy kizárólag a rendeltetésének megfelelő célra és a jelen termék kézikönyvben leírt útmutatásoknak, irányelveknek és figyelmeztetéseknek, valamint a hatályos törvényeknek és szabályozásoknak megfelelően használja ezt a terméket. Az itt leírt utasítások és figyelmeztetések elolvasásának és betartásának elmulasztása saját és mások sérüléséhez, a termék vagy a közelben található más anyagok javak károsodásához vezethet. Ez a termék kézikönyv és a benne található utasítások, irányelvek és figyelmeztetések, valamint a kapcsolódó dokumentációk módosulhatnak és frissülhetnek. Naprakész termékinformációk érdekében kérjük látogasson el a következő honlapra: documents.dometic.com, dometic.com.

Vonatkozó dokumentumok



A részletes kezelési útmutatót és a műszaki adatokat online a következő honlapon találhatja meg:

documents.dometic.com/?object_id=74832.

Biztonsági útmutatások



FIGYELMEZTETÉS!

Vegye figyelembe a biztonsági útmutatókat is

a 3.-4. oldalakon.

Alapvető biztonság



FIGYELMEZTETÉS! Ezeknek a figyelmeztetéseknek a figyelmen kívül hagyása súlyos, vagy halálos sérüléshez vezethet.

Áramütés miatti veszély

- Ha a készüléken látható sérülések vannak, akkor a készüléket nem szabad üzembe helyezni.
- Ha a készülék váltakozó áramú csatlakozókábele megsérült, akkor a veszélyek elkerülése érdekében a gyártóval, a vevőszolgálatl vagy egy hasonlóan képzett szakemberrel kell kicserélni ezt.
- Javításokat csak szakemberek végezhetnek a készüléken. A helytelen javítások jelentős veszélyeket okozhatnak.

Robbanásveszély

Tilos a készülékben robbanékony anyagokat, például gyúlékony hajtógázt tartalmazó permetpalcokat tárolni.

Tűzveszély

A hűtőkörben található hűtőközeg tűzveszélyes. A hűtőkör sérülése esetén (ez az ammóniaszagról ismerhető fel):

- Kapcsolja ki a készüléket.
- Kerülje a nyílt lángot és a gyújtószikrákat.
- Szellőztesse ki jól a helyiséget.

Egészségkárosodás veszélye

- Az abszorpciós aggregátot tilos felnyitni. Nagy nyomás uralkodik benne és felnyitáskor sérüléseket okozhat.
- A készüléket 8 év feletti gyermekek, valamint korlátozott fizikai, érzékelési és mentális képességű, illetve megfelelő tapasztalattal és tudással nem rendelkező személyek csak felügyelet mellett, illetve a készülék biztonságos használatát és az abból eredő veszélyeket megértve használhatják.
- A készülékkel gyerekek nem játszhatnak.
- A tisztítást és a felhasználói karbantartást felügyelet nélküli gyermekek nem végezhetik.
- A 3 és 8 év közötti gyermekek már kivehetnek és berakhatnak élelmiszereket a készülékekbe.

Ügyeljen a gyermekekre

- Gondoskodjon róla, hogy a polcok beszerelésének és rögzítésének módja révén a gyermekek ne tudják bezárni magukat a készülékbe.
- A régi hűtőszekrények ártalmatlanítása előtt:
 - Szerelje ki a fiókot.
 - Hagyja a polcokat a hűtőszekrényben, hogy gyermekek ne mászhassanak bele.



VIGYÁZAT! Ezeknek a felhívásoknak a figyelmen kívül hagyása könnyű vagy mérsékelt sérüléshez vezethet.

Sérülésveszély

- Ne nyúljon a zsanérok közé.
- Ne támaszkodjon rá a kinyitott készülékajtóra.



FIGYELEM! Károsodás veszélye

- A veszélyek elkerülése érdekében csak a gyártó, a szerviz vagy hasonló képesítéssel rendelkező szolgáltató cserélheti ki az izzót.

- A jármű tisztítása során a szellőzőrács területén ne használjon nagynyomású tisztítóberendezést.
- Ha kívülről tisztítja a járművet, vagy ha hosszabb ideig nem használja azt, szerelje fel a téli burkolatokat a szellőzőrácsra (tartozék).
- A készülék nem alkalmas maró hatású vagy oldószert tartalmazó anyagok szállítására.
- A készülék szigetelése gyúlékony ciklopentán tartalmaz, amely speciális ártalmatlanítási eljárásokat igényel. Élettartama végén megfelelő hulladékkezelő központban adja le a készüléket.
- Mindig tartsa tisztán a kondenzvíz nyílását.
- Soha ne merítse vízbe a készüléket.
- Védje a készüléket és a kábeleket a hőtől és a nedvességtől.
- A készüléket ne tegye ki az eső hatásának.
- Ne helyezze a készüléket nyílt láng vagy más hőforrás (fűtés, erős napsugárzás, gáztűzhely stb.) közelébe.
- A készüléket csak a mellékelt váltakozó áramú csatlakozókábelrel csatlakoztassa a váltakozó áramú aljzatához.
- Kérdezze meg a jármű gyártóját, hogy járműve akkumulátorkezelő rendszere az akkumulátor védelme érdekében kikapcsolja-e a készüléket.
- Ha hosszabb ideig nem szándékozik használni a készüléket, akkor állítsa a készülék és a fagyasztó ajtaját téli helyzetbe. Így elkerülhető a bepenészedés.

Biztonság a készülék üzemeltetése során



FIGYELMEZTETÉS! Ezeknek a figyelmeztetéseknek a figyelmen kívül hagyása súlyos, vagy halálos sérüléshez vezethet.

Áramütés miatti veszély

- Üzembe helyezés előtt ügyeljen arra, hogy a vezeték és a dugasz száraz legyen.
- Válassza le a készüléket az áramellátásról
 - minden tisztítás és ápolás előtt
 - minden használat után

Egészségkárosodás veszélye

- Ellenőrizze, hogy a készülék hűtési teljesítménye megfelel-e a hűteni kívánt élelmiszerek követelményeinek.
- A készüléket csak jól szellőző helyeken üzemeltesse.
- A készüléket csak egy energiaforrásról üzemeltesse.
- Élelmiszert csak eredeti csomagolásban vagy megfelelő tárolóedényekben szabad tárolni.
- Ha hosszabb időszakokra kinyitja a készüléket, azzal jelentősen megnövekedhet a hőmérséklet a készülék rekeszeiben.
- Tisztítsa meg rendszeresen az élelmiszerral érintkező felületeket és a hozzáférhető lefolyórendszereket.
- Annak érdekében, hogy a nyers hús és hal ne érhesen hozzá vagy ne csepegjen rá más élelmiszerekre, megfelelő tárolóedényekben tartsa ezeket a készülékben.

A készülék biztonságos elhelyezése és csatlakoztatása



FIGYELMEZTETÉS! Ezeknek a figyelmeztetéseknek a figyelmen kívül hagyása súlyos, vagy halálos sérüléshez vezethet.

Tűzveszély

- A szállítás során ügyeljen arra, hogy ne sérüljön meg a készülék hűtőköre.
- A készülék elhelyezésekor ügyeljen arra, hogy ne csípjé be és ne károsítsa a tápkábelt.
- Ne helyezzen el több hordozható aljzatot vagy hordozható tápegységet a készülék hátsó részénél.



FIGYELEM! Károsodás veszélye

Túlmelegedés kockázata!

- Mindig ügyeljen arra, hogy az üzemeltetés során keletkező hő kielégítően eltávozhasson. A levegő keringtetése érdekében gondoskodjon arról, hogy a készülék megfelelő távolságra legyen a faltól vagy tárgyaktól.
- A hűtőközeg megfelelő keringtetése érdekében a készülék dőlésszöge nem lépheti túl a 3°-ot. Ehhez egy vízszintmérő segítségével állítsa vízszintes helyzetbe a készüléket.
- A szállításkor kizárólag a testénél fogva mozgassa a készüléket. A készüléket tilos az abszorbennél, a hűtőbordáknál, a gázvezetékeknél, vagy a kezelőlemeznél fogva mozgatni.

- Ha a készülék hosszabb ideig +10 °C alatti szobahőmérsékleten van, akkor nem garantálható a fagyasztórekesz hőmérsékletének egyenletes szabályozása. Ez a fagyasztórekesz hőmérsékletének megemelkedését és a behelyezett áruk felolvadását okozhatja.
- Ha hosszú időre üresen hagyja a készüléket:
 - Kapcsolja ki a készüléket.
 - Olvassza le a készüléket.
 - Tisztítsa meg és szárítsa meg a készüléket.
 - A készülék belsejében történő penészképződés elkerülése érdekében hagyja nyitva az ajtót.



VIGYÁZAT! Ezeknek a felhívásoknak a figyelmen kívül hagyása könnyű vagy mérsékelt sérüléshez vezethet.

sérülésveszély

- Az utazás megkezdése előtt zárja be és reteszelve a készülék ajtaját.
- A készülék hátoldalán lévő hűtőaggregát üzem közben nagyon felforrósodik. Mielőtt leveszi a szellőzőrácsot és hővezető alkatrészekhez érke hozzá, vegyen fel védőfelszerelést.



FIGYELEM! Károsodás veszélye

- Ellenőrizze, hogy a típustáblán feltüntetett feszültségadatok egyeznek-e a rendelkezésre álló energiaellátással.
- A készüléket a következő módon csatlakoztassa:
 - Egyenáramú aljzat: Csak megfelelő keresztmetszetű kábelt használjon.
 - Váltakozó áramú aljzat: Csak a mellékelt váltakozó áramú csatlakozókábelt használja
- Soha ne húzza ki a csatlakozódugót a kábelnél fogva az aljzataból.
- Ha a készülék egy egyenáramú aljzathoz van csatlakoztatva: Az egyenáramú üzem (akkumulátorról történő üzem) csak akkor válassza, ha akkumulátorfelügyelőt használ vagy a jármű áramgenerátora kellő feszültséget biztosít.
- Ha a készülék egy egyenáramú aljzathoz van csatlakoztatva: Ha a jármű motorját kikapcsolja, húzza ki a csatlakozódugót vagy kapcsolja ki a készüléket. Ellenkező esetben a járműakkumulátor lemerülhet.
- Ügyeljen arra, hogy a szellőzőnyílások ne legyenek lefedve.
- Ne használjon elektromos készülékeket a készülék belsejében, kivéve, ha ezeket az elektromos készülékeket a gyártó erre a célra javasolja.

- Ne töltsön folyadékokat vagy jeget a belső tályba.
- A nehéz tárgyakat, pl. palackokat, vagy dobozokat kizárólag a készülék ajtajában, a zöldségrekeszben, vagy az alsó polcon tárolja.

Biztonságos üzemeltetés gázzal



FIGYELMEZTETÉS! Ezeknek a figyelmeztetéseknek a figyelmen kívül hagyása súlyos, vagy halálos sérüléshez vezethet.

Robbanásveszély

- A készüléket kizárólag az adattáblán megadott nyomással üzemeltesse. Csak olyan fix beállítású nyomámszabályozót használjon, amely megfelel a nemzeti előírásoknak. Előre beállított, DIN-DVGW által elismert és a DIN EN 16129 szabványnak megfelelő nyomámszabályozót használjon.
- Gázüzemben a készülék **csak** kültéren üzemeltethető.
- **Fulladásveszély!**
Ha rosszul szellőző helyeken gázzal üzemelteti a készüléket, az oxigénhiányt okozhat ezekben a helyiségekben.
- Olyan rosszul szellőző helyeken mint például zárt helyiségek, sátrak, tehergépjárművek, lakókocsik, lakóautók, vitorlás hajók, jachtok, hajók, és tehergépjármű-fülkék, ne használja gázüzemben a készüléket.
- Ne helyezze a készüléket gyúlékony anyagok (papír, száraz levelek, textíliák) közelébe.
- A gyúlékony tárgyakat tartsa távol az égőfejtől.
- **Soha** ne tárolja a folyékonygáz-palackokat szellőzés nélküli helyeken vagy a talajszint alatt (tölcsérszerű bemélyedésekben).
- Védje a folyékonygáz palackokat a közvetlen nap sugarazástól. A hőmérséklet 50 °C-nál nem lehet magasabb.
- Soha ne ellenőrizze a készülék tömítettségét nyílt lánggal.
- Gázszag érzékelése esetén:
 - Zárja el a gázellátás zárócsapját és a palackszelepet.
 - Ne működtesse az elektromos kapcsolókat.
 - Oltsa el a nyílt lángokat.
 - Egy szakértő vállalattal ellenőriztesse a gázberendezést.
- Gázüzemben ne üzemeltesse a készüléket felügyelet nélkül.



FIGYELEM! Károsodás veszélye

Csak propán- vagy butángázt (földgázt ne) használjon.

Rendeltetészerű használat

A mobil hűtőkészülék háztartási és hasonló környezetekben, például:

- üzletek, irodák és egyéb munkahelyek személyzeti konyháiban
- vidéki vendégházakban
- hotelekben, motelekben és más lakóépület típusú környezetekben
- vendégfogadó létesítményekben
- catering és hasonló nem kiskereskedelmi felhasználási területeken alkalmazható

A készülék a következőkre alkalmas:

- Kemping használat
- Élelmiszer hűtése és tárolása valamint fagyasztott élelmiszer tárolása
- Üzemeltetés egyenáramról, váltakozó áramról és gázzal

A készülék **nem** alkalmas a következőkre:

- Használat beépített készülékként
- Gyógyszerek tárolása
- Maró hatású anyagok vagy olyan anyagok tárolása, amelyek oldószereket tartalmaznak

Ez a termék az itt leírt utasításoknak megfelelő rendeltetészerű használatra alkalmas.

Ez a kézikönyv olyan információkat nyújt, amelyek a készülék szakszerű telepítéséhez és/vagy üzemeltetéséhez szükségesek. A hibás telepítés és/vagy a szakszerűtlen üzemeltetés vagy karbantartás elégtelen teljesítményhez és potenciálisan meghibásodáshoz vezethet.

A gyártó nem vállal felelősséget a termék olyan károsodásáért, vagy sérülésekért, amelyek a következőkre vezethetők vissza:

- Hibás összeszerelés vagy csatlakoztatás, ideértve a túlfeszültséget is
- Helytelen karbantartás, vagy a gyártó által szállított eredeti cserealkatrészekről eltérő cserealkatrészek használata

- A termék kifejezett gyártói engedély nélküli módosítása
 - Az útmutatóban leírt céloktól eltérő felhasználás
- A Dometic fenntartja a termék megjelenésének és specifikációjának módosítására vonatkozó jogát.

Beállítás és üzemeltetés

Az 5. oldal - 13. oldal helyeken bemutatott módon járjon el:

- A készülék elhelyezése: **1**. ábra
- A készülék csatlakoztatása egyenáramú tápellátáshoz: **2**. ábra
- A készülék csatlakoztatása váltakozó áramú tápellátáshoz: **3**. ábra
- A készülék csatlakozása gázellátáshoz: **4**. ábra – **5**. ábra
- A 12 V áramellátás bekapcsolása: **6**. ábra
- A 240 V áramellátás bekapcsolása: **7**. ábra
- A gázellátás bekapcsolása: **8**. ábra
- Élelmiszer elhelyezése: **9**. ábra
- a készülék kikapcsolása: **10**. ábra
- A gázszűrő cseréje: **11**. ábra
- Elem cseréje a begyűjtő egységben: **12**. ábra

Szavatosság

A termékre a törvény szerinti szavatossági időszak érvényes. Amennyiben a termék meghibásodott, lépjen kapcsolatba a kiskereskedővel, vagy a gyártó helyi képviselőjével (lásd: dometic.com/dealer).

A javításhoz, illetve a garancia adminisztrációhoz a következő dokumentumokat kell mellékelnie a termék beküldésekor:

- A számla vásárlási dátummal rendelkező másolatát
- A reklamáció okát vagy a hibát tartalmazó leírást

Ártalmatlanítás

- A csomagolóanyagot lehetőleg a megfelelő újrahasznosítható hulladék közé tegye.



Ha a terméket véglegesen kivonja a forgalomból, kérjük, tájékozódjon a legközelebbi hulladékártalmatlanító központnál vagy a szakkereskedőjénél az idevonatkozó ártalmatlanítási előírásokkal kapcsolatosan.



Védje környezetét!

Az akkumulátorok és elemek nem a háztartási hulladékba valók.

Adja le a meghibásodott akkumulátorokat vagy elhasznált elemeket a kereskedőnél vagy egy gyűjtőhelyen.



dometic.com

**YOUR LOCAL
DEALER**

dometic.com/dealer

**YOUR LOCAL
SUPPORT**

dometic.com/contact

**YOUR LOCAL
SALES OFFICE**

dometic.com/sales-offices

A complete list of Dometic companies, which comprise the Dometic Group, can be found in the public filings of:
DOMETIC GROUP AB Hemvärnsgatan 15 SE-17154 Solna Sweden