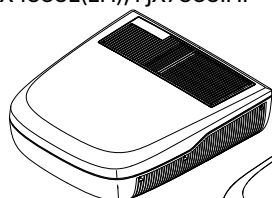


# ↗ DOMETIC

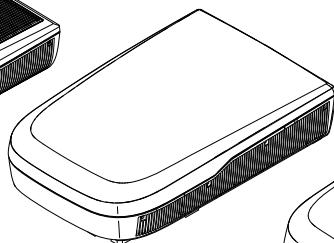
# CLIMATE CONTROL

# FJX

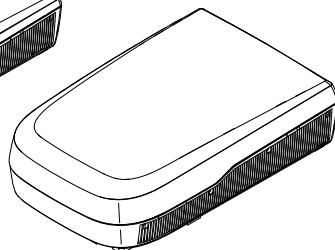
FJX4233M, FJX4233EEH  
FJX4333E(EH), FJX7333IHP



FreshJet FJX7333IHP



FreshJet FJX7457IHP



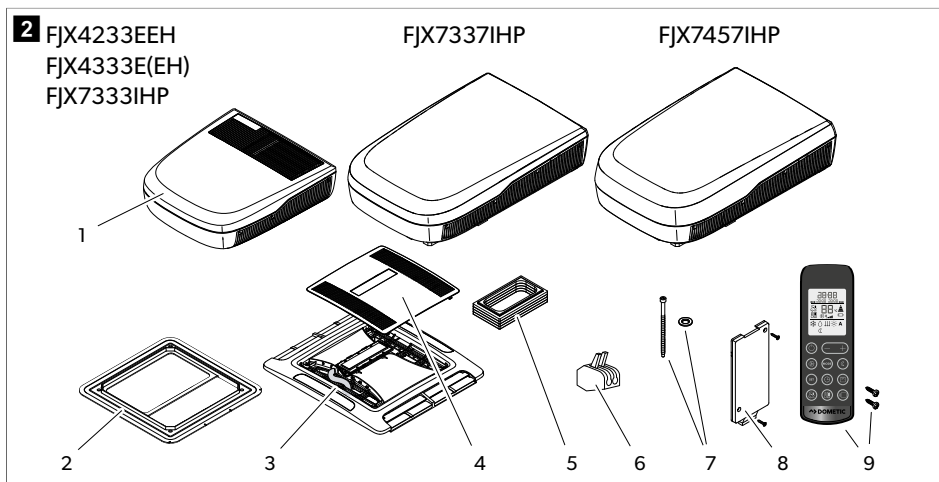
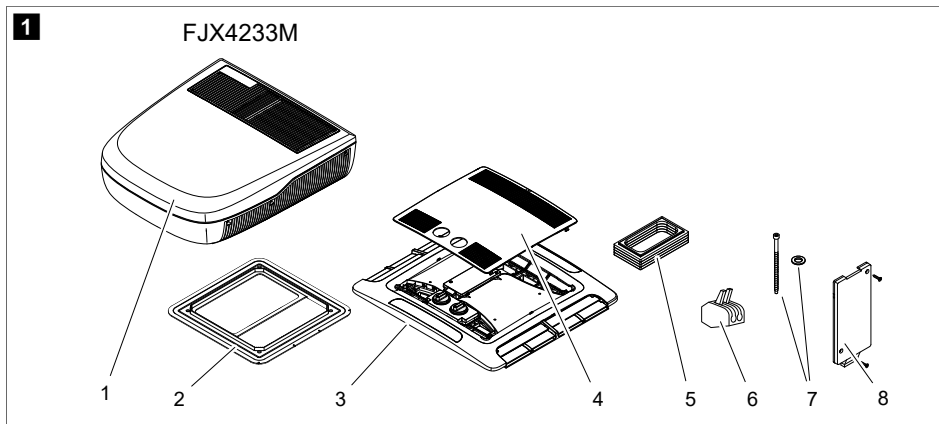
## Dometic FreshJet FJX

<b>EN</b>	<b>Roof Air Conditioner</b> Installation manual.....	12	<b>NO</b>	<b>Takklimaannlegg</b> Monteringsanvisning.....	120
<b>DE</b>	<b>Dachklimaanlage</b> Montageanleitung.....	24	<b>FI</b>	<b>Kattoilmastointilaite</b> Asennusohje.....	132
<b>FR</b>	<b>Climatiseur de toit</b> Instructions de montage.....	36	<b>RU</b>	<b>Накрышный кондиционер</b> Инструкция по монтажу.....	143
<b>ES</b>	<b>Equipo de aire acondicionado de techo</b> Instrucciones de montaje.....	48	<b>PL</b>	<b>Klimatyzator dachowy</b> Instrukcja montażu.....	155
<b>PT</b>	<b>Sistema de ar condicionado de tejadilho</b> Instruções de montagem.....	60	<b>SK</b>	<b>Strešná klimatizácia</b> Návod na montáž.....	167
<b>IT</b>	<b>Climatizzatore</b> Indicazioni di montaggio.....	73	<b>CS</b>	<b>Střešní klimatizace</b> Návod k montáži.....	179
<b>NL</b>	<b>Dakairconditioning</b> Montagehandleiding.....	85	<b>HU</b>	<b>Tetőklíma-berendezés</b> Szerelési útmutató.....	191
<b>DA</b>	<b>Tagklima anlæg</b> Monteringsvejledning.....	97	<b>AR</b>	203..... دليل التركيب مكيف الهواء على السطح	
<b>SV</b>	<b>Takmonterad klimatanläggning</b> Monteringsanvisning.....	108			

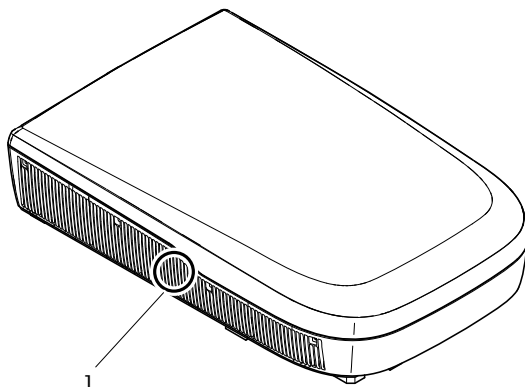
## **Copyright**

© 2022 Dometic Group. The visual appearance of the contents of this manual is protected by copyright and design law. The underlying technical design and the products contained herein may be protected by design, patent or be patent pending. The trademarks mentioned in this manual belong to Dometic Sweden AB. All rights are reserved.

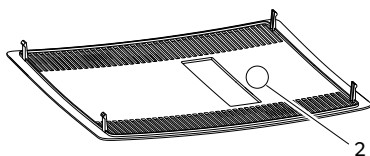
# List of Figures



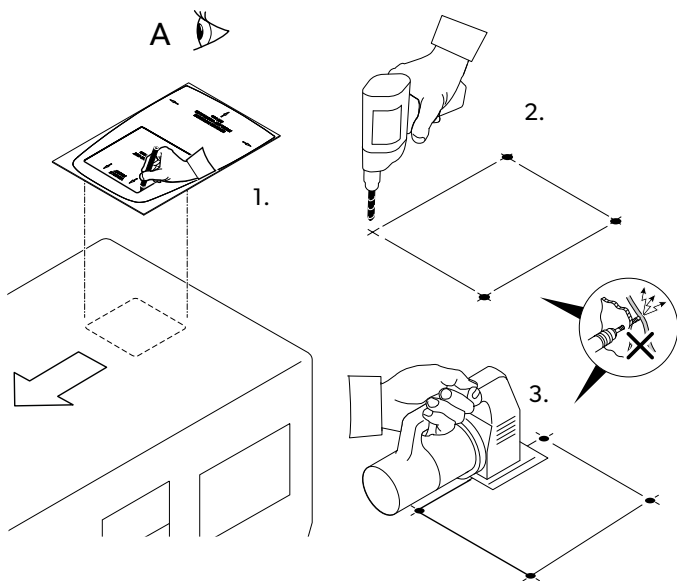
3



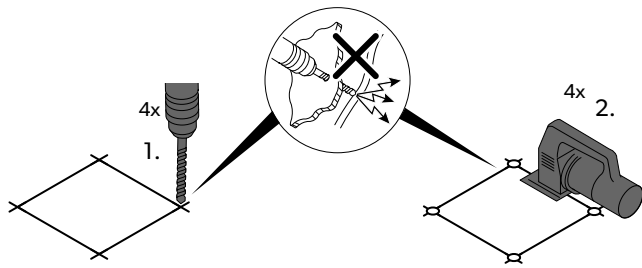
4



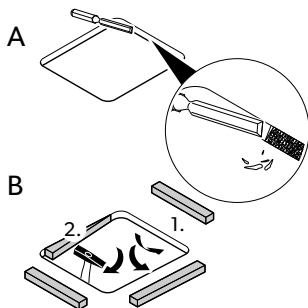
5



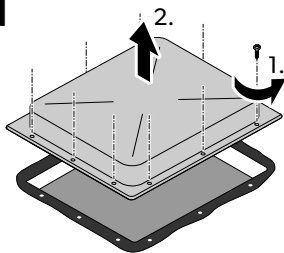
6



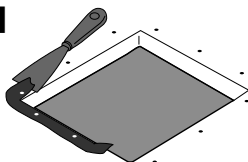
7



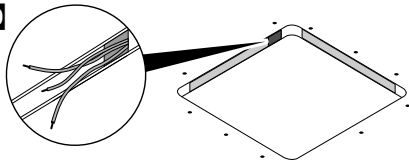
8



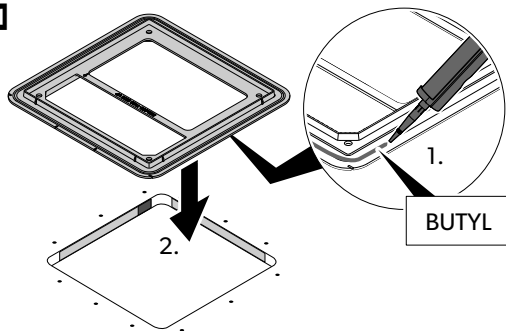
9



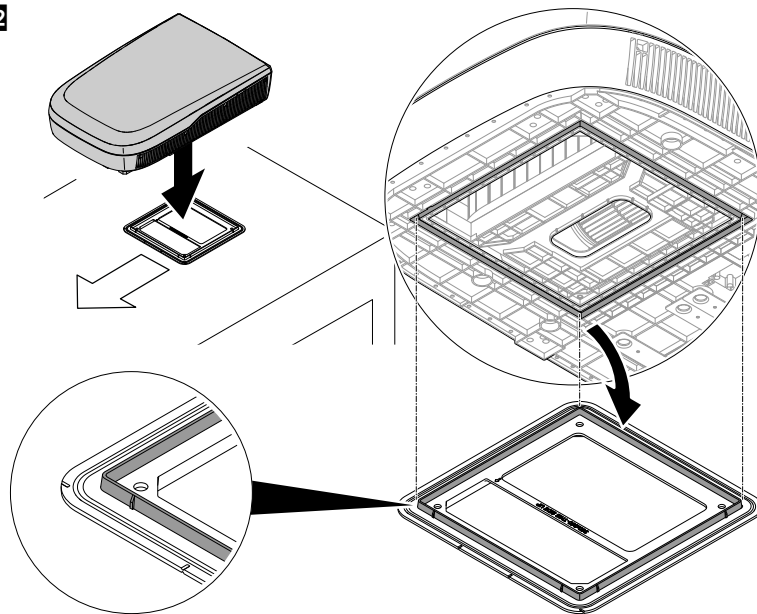
10



11

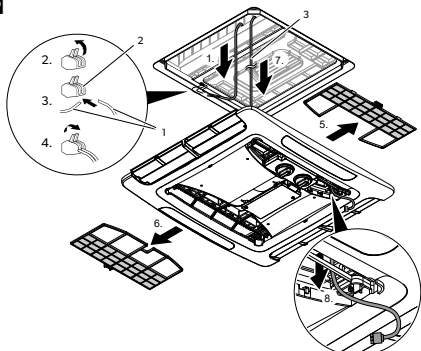


12

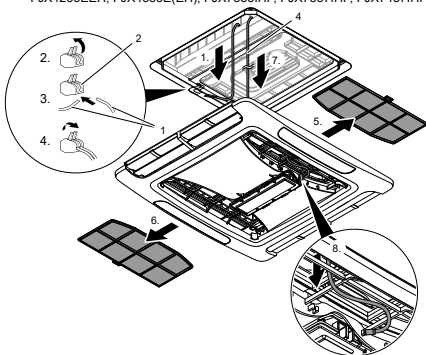


13

FJX4233M

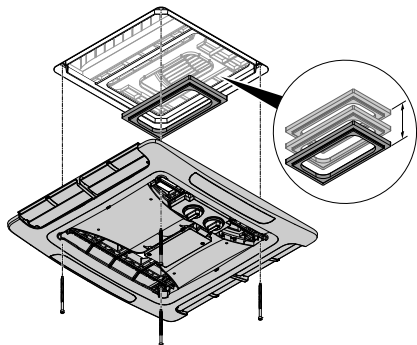


FJX4233EEH, FJX4333E(EH), FJX7333IHP, FJX7337IHP, FJX7457IHP

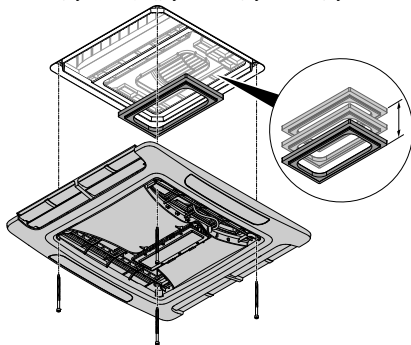


14

FJX4233M



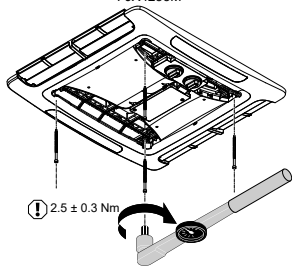
FJX4233EEH, FJX4333E(EH), FJX7333IHP, FJX7337IHP, FJX7457IHP



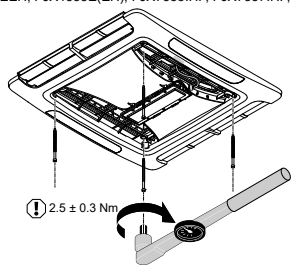


15

FJX4233M

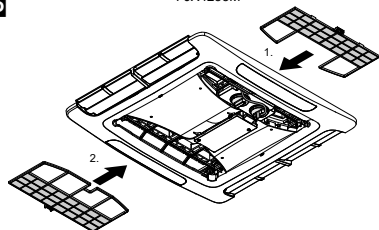


FJX4233EEH, FJX4333E(EH), FJX7333IHP, FJX7337IHP, FJX7457IHP

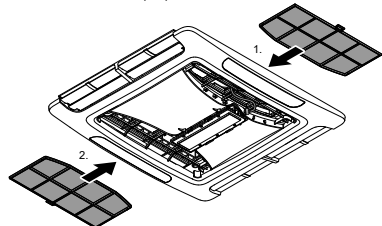


16

FJX4233M

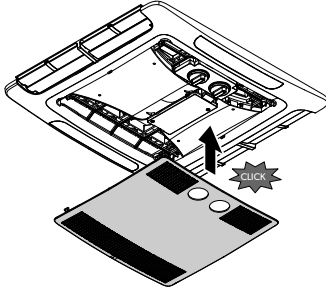


FJX4233EEH, FJX4333E(EH), FJX7333IHP, FJX7337IHP, FJX7457IHP

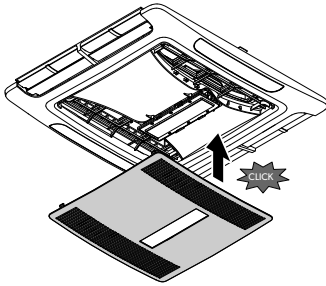


17

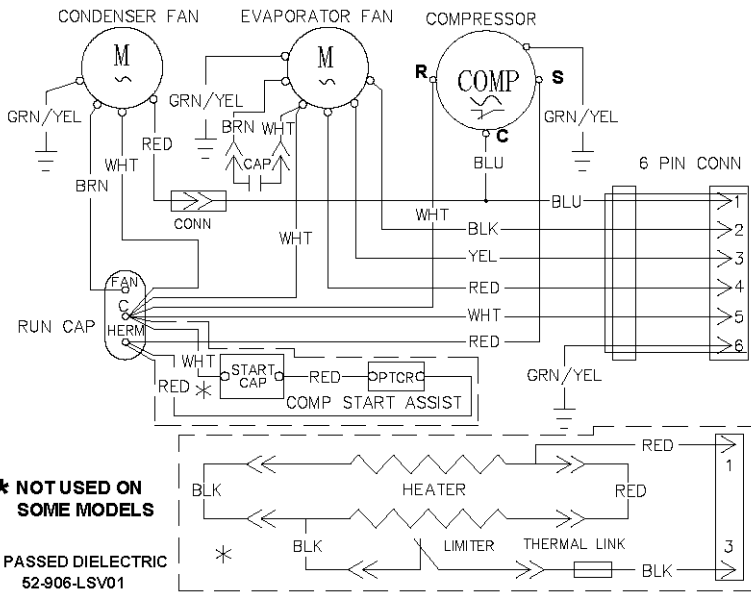
FJX4233M



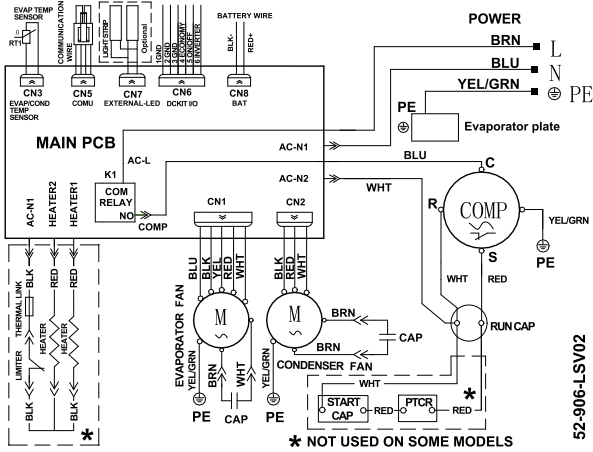
FJX4233EEH, FJX4333E(EH), FJX7333IHP, FJX7337IHP, FJX7457IHP



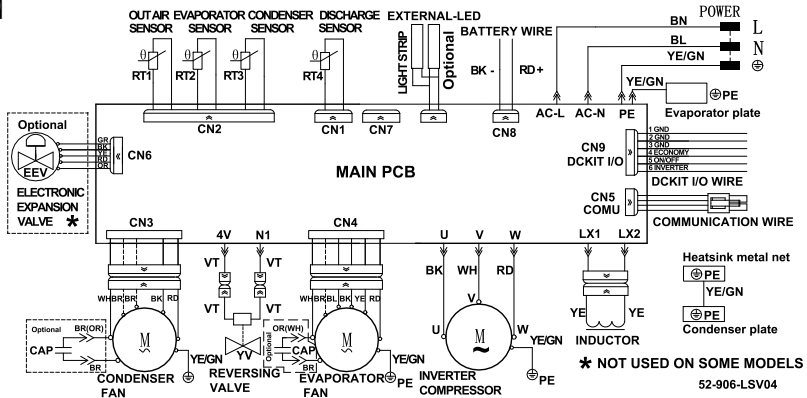
18



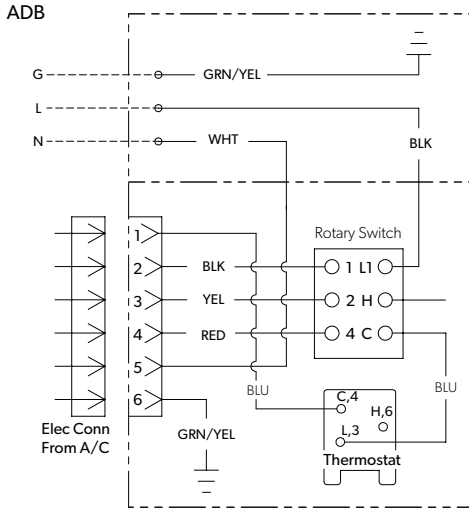
19



20

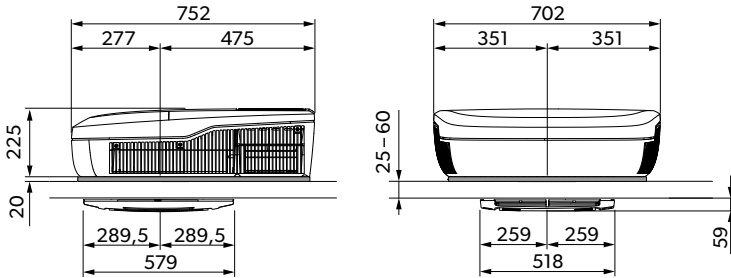


21



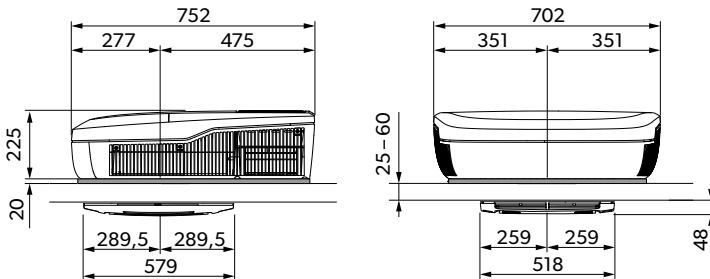
22

Freshjet FJX4233M



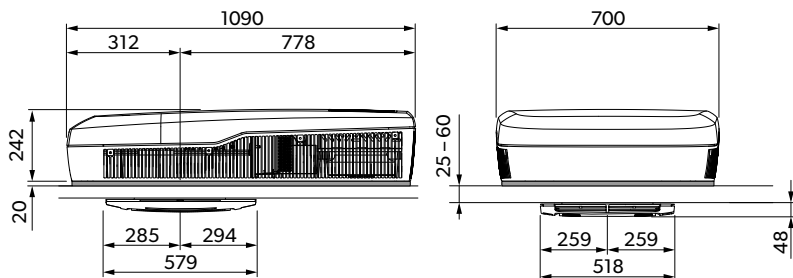
23

FJX4233EEH, FJX4333E(EH), FJX7333IHP



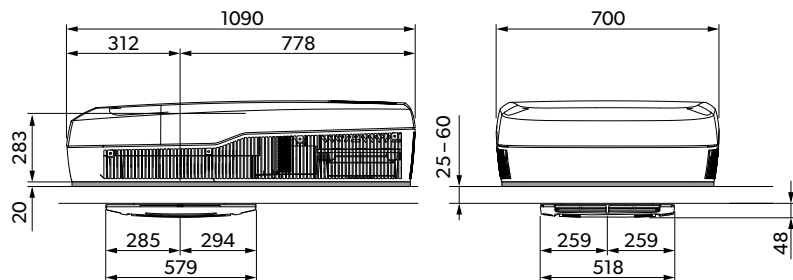
24

FreshJet FJX7337IHP



25

FreshJet FJX7457IHP



## English

1	Important notes.....	12
2	Explanation of symbols.....	12
3	Target groups.....	13
4	Safety instructions.....	13
5	Scope of delivery.....	14
6	Accessories.....	15
7	Intended use.....	15
8	Explanations of symbols on the appliance.....	15
9	Technical limits and conditions.....	16
10	Installation.....	16
11	Circuit diagrams.....	20
12	Disposal.....	20
13	Technical data.....	20

## 1 Important notes

Please read these instructions carefully and follow all instructions, guidelines, and warnings included in this product manual in order to ensure that you install, use, and maintain the product properly at all times. These instructions **MUST** stay with this product.

By using the product, you hereby confirm that you have read all instructions, guidelines, and warnings carefully and that you understand and agree to abide by the terms and conditions as set forth herein. You agree to use this product only for the intended purpose and application and in accordance with the instructions, guidelines, and warnings as set forth in this product manual as well as in accordance with all applicable laws and regulations. A failure to read and follow the instructions and warnings set forth herein may result in an injury to yourself and others, damage to your product or damage to other property in the vicinity. This product manual, including the instructions, guidelines, and warnings, and related documentation, may be subject to changes and updates. For up-to-date product information, please visit [documents.dometic.com](http://documents.dometic.com).

## 2 Explanation of symbols



**DANGER!** Indicates a hazardous situation that, if not avoided, will result in death or serious injury.



**WARNING!** Indicates a hazardous situation that, if not avoided, will result in death or serious injury.



**CAUTION!** Indicates a hazardous situation that, if not avoided, could result in minor or moderate injury.



**NOTICE!** Indicates a hazardous situation that, if not avoided, could result in minor or moderate injury.



**Note** Supplementary information for operating the product.

### 3 Target groups



The electrical power supply must be connected by a qualified electrician who has demonstrated skill and knowledge related to the construction and operation of electrical equipment and installations and has received safety training to identify and avoid the hazards involved.



The mechanical installation must be executed by a qualified person who is familiar with the construction and operation of the equipment and the hazards involved.

### 4 Safety instructions



**WARNING! Failure to obey these warnings could result in death or serious injury.**

- Repair of the appliance may only be carried out by qualified personnel who are familiar with the risks involved and the relevant regulations. Inadequate repairs may cause serious hazards. For repair service, contact the service center in your country (see [dometic.com/dealer](http://dometic.com/dealer)).
- The appliance shall be installed in accordance with national electrical and mechanical installation regulations.
- **Electrical appliances are not toys.** Keep electrical appliances out of reach of children or infirm persons. Do not allow them to use electrical appliances without supervision.
- Persons whose physical, sensory or mental capabilities or whose lack of experience and knowledge prevent them from using the appliance safely should not use it without supervision or instruction by a responsible person.
- Do **not** undo the upper cover of the appliance in the event of a fire. Use approved extinguishing agents instead. Do not use water to extinguish fires.
- The appliance shall be stored in a room without continuously operating open flames (for example an operating gas appliance) and ignition sources (for example an operating electric heater).
- The appliance shall be stored horizontally at a dry, ventilated and covered location.
- Do not pierce or burn the appliance.
- Be aware that refrigerants may not contain an odor.
- The roof air conditioner shall be installed in a vehicle with a floor area larger than 4 m<sup>2</sup>.



**CAUTION! Failure to obey these cautions could result in minor or moderate injury.**

- Only operate the appliance if you are certain that the housing and the cables are not damaged.
- Do not use the appliance near flammable fluids or in closed rooms.
- Ensure that no combustible objects are stored or installed near the air outlet. A distance of at least 50 cm must be kept.
- Do not reach into air outlets or insert any foreign objects in the appliance.
- Always wear protective goggles and gloves.



### NOTICE! Damage hazard

- The appliance functions optimally at 1020 mbar.
- The appliance shall be stored so as to prevent mechanical damage from occurring.
- Before installation, check whether any vehicle components could be damaged by the installation of the appliance (such as lamps, cupboards, doors). The vehicle manufacturer may have already provided points where the opening for the installation of the appliance can be made without any risk of weakening the construction or cutting power cables.
- Before installation, consult the vehicle manufacturer whether the construction is designed for the static weight and the loads of the roof air conditioner when the vehicle is in motion.
- Seal of all openings made when installing the roof air conditioner.
- Select a flat and sufficiently level area at the center of the vehicle roof between two longitudinal sections for installation.
- The roof inclination of the installation surface may not exceed 10 °.
- Ensure that there are no objects within the vehicle which could obstruct the attachment of the air distribution box or the cooled air from flowing through the swivelling air distribution nozzles.
- Do not make any alterations or conversions to the appliance.
- Never drive through automatic car washes when the appliance is mounted.
- If faults occur in the refrigerant circuit, the system must be checked by a specialist company and repaired properly.
- The refrigerant must not be released into the air.
- Ask the vehicle manufacturer if the height entered in your vehicle documents needs to be altered due to the installation of the roof air conditioner.

## 5 Scope of delivery

No. in fig. <b>1</b> , fig. <b>2</b>	Quantity	Description
1	1	Roof top unit
2	1	Roof frame
3	1	Air distribution box (ADB)
4	1	ADB center cover
5	4	Duct sections
6	3	Cable connectors
7	4	Fastening bolts
8	1	Box cover
9	1	<b>Only FreshJet FJX4233EEH/FJX4333E(EH)/FJX7333IHP/ FJX7337IHP/FJX7457IHP: Remote control</b>



## 6 Accessories

Available as accessories (not included in the scope of delivery):

Description	Ref. no.
Extension duct sections (each section covers additional 10 mm)	4450017931
Longer fastening bolts M6 x 160 mm (for 60 ... 120 mm roof thicknesses)	4450012023
Air purifier	4450029486
Electrical heater	4450029487
ADB ambient light	4450029488
Filters for FreshJet FJX4233M	4450024007 4450024008
Filters for FreshJet FJX4233EEH/FJX4333E(EH)/FJX7333IHP/FJX7337IHP/FJX7457IHP	4450025683

## 7 Intended use

The roof air conditioner FreshJet FJX is only designed for installation on the roof of a caravan or recreational vehicle to provide cooling.

The roof air conditioner is **not** suitable for trains, houses and apartments. The roof air conditioner is **not** suitable for installation in construction machines, agricultural machines or similar equipment.

This product is only suitable for the intended purpose and application in accordance with these instructions.

This manual provides information that is necessary for proper installation and/or operation of the product. Poor installation and/or improper operating or maintenance will result in unsatisfactory performance and a possible failure.

The manufacturer accepts no liability for any injury or damage to the product resulting from:

- Incorrect assembly or connection, including excess voltage
- Incorrect maintenance or use of spare parts other than original spare parts provided by the manufacturer
- Alterations to the product without express permission from the manufacturer
- Use for purposes other than those described in this manual

Dometic reserves the right to change product appearance and product specifications.

## 8 Explanations of symbols on the appliance



Warning! Low burning velocity material.



Read operating manual.



Read service manual.

## 9 Technical limits and conditions

The roof air conditioner is intended for vehicles with roofs with a thickness of 25 mm ... 60 mm. The function of the roof air conditioner is guaranteed for ambient temperatures between  $-2^{\circ}\text{C}$  ...  $52^{\circ}\text{C}$ . The roof air conditioner is designed to be installed within  $\pm 10^{\circ}$  of the horizontal plane. The performance of the roof air conditioner may be reduced when it is exposed to strong vibrations, for example caused by bad road conditions.

## 10 Installation



### **DANGER! Electrocutation hazard**

- The electrical power supply must be connected by a qualified electrician who has demonstrated skill and knowledge related to the construction and operation of electrical equipment and installations and has received safety training to identify and avoid the hazards involved.
- Disconnect all power supplies when working on the roof air conditioner.
- Ensure that the appliance cannot be reconnected.



### **WARNING! Electrocutation hazard**

- The appliance shall be installed in accordance with national wiring regulations.
- The following must be incorporated in the fixed wiring in accordance with the wiring rules: An all-pole disconnection device which has at least 3 mm clearances in all poles; when having a leakage current that may exceed 10 mA a residual current device (RCD) having a rated residual operating current not exceeding 30 mA; a disconnection.
- If the appliance replaces a window or hatch with a safety relevant forced venting function, an additional safety venting device (e.g. a mushroom fan or similar) needs to be added. In doubt consult the vehicle manufacturer.
- After the installation of the roof air conditioner, an exhaust chimney in proximity to the roof air conditioner has to rise at least 10 cm above it. If necessary, prolong the exhaust chimney. Observe the instructions of the heating manufacturer.



### CAUTION! Beware of injury

- Improper installation of the roof air conditioner can result in irreparable damage to the appliance and put the safety of the user at risk.
- Always have someone to help you carrying or lifting the roof air conditioner.
- Before installation, check the location of existing wiring harnesses, wires and other components within the installation area, in particular those which are not visible, when installing the appliance (when drilling or screwing etc.).
- Attach and lay the cables so that they cannot be tripped over or damaged.
- Always wear the protective goggles and gloves.



### NOTICE! Damage hazard

- The appliance is a sealed system with a closed refrigerant circuit. Do not open or manipulate.
- Use cable ducts to lay cables through walls with sharp edges.
- Do not lay loose or bent cables next to electrically conductive materials (metal).
- Do not pull on the cables.
- Check that cabling will not be subject to wear, corrosion, excessive pressure, vibration, sharp edges or any other adverse environmental effects. The check shall also take into account the effects of aging or continual vibration from sources such as compressors or fans.
- Observe the structural strength of the roof of the vehicle. The roof of the vehicle must be able to bear the weight of the roof air conditioner without being indented or deformed. In doubt consult the vehicle manufacturer.



### Note

- You find the appliance's specifications in the Technical data and on the following data plates:
- Roof top unit data plate fig. **3**
- ADB data plate fig. **4**



Find additional information on roof air conditioners in the operating manual, such as the technical description or the controls, see [documents.dometic.com/?object\\_id=75095](https://documents.dometic.com/?object_id=75095).



fig. **3** on page 2 fig. **4** on page 2

1. Choose your way of installing the roof air conditioner:
  - Make a new opening. In this case the opening must be reinforced by an appropriate frame.
  - Use an existing opening in the vehicle such as a roof hatch or replacing an old roof air conditioner.

### Making a new opening

2. Select an area at the center on the roof between two longitudinal supports.

fig. **5** on page 2

3. Mark the position and size of the opening (400 × 400 mm).

4. Drill out the corners **(A)**.



**NOTICE! Damage hazard** Ensure that no electrical power cables are damaged. Check where the electrical cables are located.

fig. **6** on page 3

5. Carefully cut out the opening on the roof using a keyhole saw or a similar tool **(B)**.

6. Check whether the roof hole needs reinforcing.

7. If needed, remove the foam according to the width of your reinforcing rails (not in scope of delivery) **(A)**.

fig. **7** on page 3

8. Fit the reinforcing rails **(B)**.

### Installing in an existing opening

9. Remove all screws and fixtures of the existing roof hatch or air conditioner.

fig. **8** on page 3

10. Take out the roof hatch or roof air conditioner.

11. Remove the sealant around the opening using a scraper or similar tool.

fig. **9** on page 3

### Laying the connecting cables

12. Check that the voltage specification on the roof air conditioner data plate is the same as that of the power supply. The roof air conditioner must be connected to an electric circuit which is able to supply the required current (Technical data).

13. Ensure that the power supply has a residual current circuit breaker (< 30 mA). If missing, install the residual current circuit breaker.

14. Install an all-pole switch with a contact opening width of at least 3 mm on the installation side.

15. Select the cross-section of the power supply cable corresponding to the length:

- Length < 7.5 m: 1.5 mm<sup>2</sup>
- Length > 7.5 m: 2.5 mm<sup>2</sup>

16. Make an opening on one side in order to feed through the power supply cable.

fig. **10** on page 3

17. Feed the power supply cable through the opening into the vehicle interior.

### Installing the roof top unit

18. Seal around the roof frame with flexible non-hardening butyl sealing compound (e.g. SikaLastomer-710, Selleys Butyl Mastic, Bostik ezycaulk butyl sealant, or similar products). Observe the sealant manufacturer's instructions.

fig. **11** on page 4

19. Orientate the roof frame based on opening size.

20. Fit the roof frame into the roof opening.

fig. **12** on page 4

21. Lift the roof top unit onto the roof of the vehicle. Observe the direction of travel.

22. Position the roof top unit into the roof frame and align into the roof frame's groove. To align into the roof frame's groove use the corners at the front of the roof frame.

## Electrical connection

23 Connect the power supply cable.

fig. 13 on page 5

- Connect the cables (1) to a cable connector (2).
- Connect the roof air conditioner with the power supply.
- Connect the grounding cable to the vehicle's grounding system.

24 **Only FreshJet FJX4233M:** Connect the cable between the external unit and the air box diffuser.

- Pull out the filter slightly to create a gap for the communication cable (3).
- Feed the cable through the gap and locate the wire in the opening.
- Connect the communication 6-pin plug into the socket on the side of the display in the ADB. Ensure that the cable is located into the small opening away from the filter area.
- Secure excess cable into the holders.

25 **Only FreshJet FJX4233EEH/FJX4333E(EH)/FJX7333IHP/FJX7337IHP/FJX7457IHP:** Connect the communication cable.

- Pull out the filter slightly to create a gap for the communication cable (4).
- Feed the communication cable through the gap and locate the wire in the opening.
- Connect the communication 4-pin plug into the socket on the side of the display in the ADB. Ensure that the cable is located into the small opening away from the filter area.
- Secure excess cable into the holders.

## Installing the ADB

26 Stack the duct sections and place against the roof thickness: Ensure that the duct height matches the roof height or use the table as guide.

fig. 14 on page 6

Roof thickness	Number of duct sections
25 ... 35 mm	1
35 ... 45 mm	2
45 ... 55 mm	3
55 ... 60 mm	4



**Note** Additional duct sections can be purchased for thicker roofs.

27 Attach the required number of duct sections on the ADB.

28 Fasten the ADB to the ceiling through the roof top unit with the 4 bolts supplied. Tighten the screws using a torque spanner and a fastening torque of 2.5 Nm ± 0.3 Nm.

fig. 15 on page 7

29 Push the filter back fully in.

fig. 16 on page 7

30 Clip the center cover to the ADB.

fig. 17 on page 8

31 Ask the vehicle manufacturer if a technical inspection is required after fitting an roof air conditioner and whether the height entered in the vehicle documents needs to be altered:

- FreshJet FJX4233, FreshJet FJX4333, FreshJet FJX7333: Increased height 225 mm
- FreshJet FJX7337: Increased height 240 mm
- FreshJet FJX7457: Increased height 283 mm

The installation is now completed.

Connect to the power supply and test if the roof air conditioner works.

## 11 Circuit diagrams

### FJX4233M

fig. 18 on page 8

### FJX4233E, FJX4333E(EH), FJX7333IHP

fig. 19 on page 9

### FJX7337IHP, FJX7457IHP

fig. 20 on page 9

### ADB

fig. 21 on page 10

## 12 Disposal



Place the packaging material in the appropriate recycling waste bins, wherever possible. Consult a local recycling center or specialist dealer for details about how to dispose of the product in accordance with the applicable disposal regulations.




Protect the environment! Do not dispose of any batteries with general household waste. Return defective or used batteries to your retailer or dispose of them at collection points.


## 13 Technical data

Contains fluorinated greenhouse gases. Hermetically sealed equipment.

	<b>FreshJet FJX4233M</b>
Cooling capacity based on ISO 5151:	1500 W
AC Input voltage:	220 V ... 240 V / 50 Hz
Rated current cooling:	< 3.3 A


	<b>FreshJet FJX4233M</b>
Required fuse:	4 A
Operating temperature range:	- 2 °C ... 52 °C
Refrigerant:	R410a
Refrigerant quantity:	380 g
CO <sub>2</sub> equivalent:	0.793 t
Global warming potential (GWP):	2088
Protection class (roof top unit):	IPX4
Noise level (highest fan setting)	< 70 dB(A)
Suggested max. vehicle length (with insulated walls):	< 5 m
Dimensions L x W x H:	fig. <b>22</b>
Weight:	< 30 kg
Inspection/certification:	

	<b>FreshJet FJX4233EEH</b>	<b>FreshJet FJX4333EEH</b>	<b>FreshJet FJX4333E</b>
Cooling capacity based on ISO 5151:	1700 W	2200 W	2200 W
Heating capacity based on ISO 5151:	800 W	1000 W	-
AC Input voltage:	220 V ... 240 V / 50 Hz		
Rated current cooling:	3.6 A	4.8 A	4.8 A
Rated current heating:	< 5.2 A	< 5.2 A	-
Required fuse:	4 A	5 A	6 A
Operating temperature range:	- 2 °C ... 52 °C		
Refrigerant:	R32		
Refrigerant quantity:	320 g	360 g	360 g
CO <sub>2</sub> equivalent:	0.216 t	0.243 t	0.243 t

	FreshJet FJX4233EEH	FreshJet FJX4333EEH	FreshJet FJX4333E
Global warming potential (GWP):	675		
Protection class (roof top unit):	IPX4		
Noise level (highest fan setting)	< 70 dB(A)		
Suggested max. vehicle length (with insulated walls):	< 6 m	< 7 m	< 7 m
Dimensions L x W x H:	fig. 23		
Weight:	< 30 kg	< 30 kg	< 30 kg
Inspection/certification:			

	FreshJet FJX7333IHP	FreshJet FJX7337IHP	FreshJet FJX7457IHP
Cooling capacity based on ISO 5151:	2200 W	3000 W	3500 W
Heating capacity based on ISO 5151:	2000 W	2500 W	3000 W
AC Input voltage:	220 V ... 240 V / 50 Hz ... 60 Hz	220 V ... 240 V / 50 Hz ... 60 Hz	220 V ... 240 V / 50 Hz ... 60 Hz
Rated current cooling:	< 7.5 A	< 7.5 A	< 7.5 A
Rated current heating:	< 6.1 A	< 6.1 A	< 6.1 A
Required fuse:	6 A	6 A	6 A
Operating temperature range:	- 2 °C ... 52 °C	- 2 °C ... 52 °C	- 2 °C ... 52 °C
Refrigerant:	R32	R32	R32
Refrigerant quantity:	420 g	480 g	650 g
CO <sub>2</sub> equivalent:	0.2835 t	0.3240 t	0.43875 t
Global warming potential (GWP):	675		
Protection class (roof top unit):	IPX4		
Noise level (highest fan setting)	< 70 dB(A)		
Suggested max. vehicle length (with insulated walls):	< 7 m	< 7 m	> 8 m



	<b>FreshJet FJX7333IHP</b>	<b>FreshJet FJX7337IHP</b>	<b>FreshJet FJX7457IHP</b>
Dimensions L x W x H:	fig. <b>23</b>	fig. <b>24</b>	fig. <b>25</b>
Weight:	< 30 kg	< 35 kg	< 40 kg
Inspection/certification:			

## German

1	Important notes.....	24
2	Erklärung der Symbole.....	24
3	Ziel-gruppen.....	25
4	Sicherheitshinweise.....	25
5	Lieferumfang.....	26
6	Zubehör.....	27
7	Bestimmungsgemäßer Gebrauch.....	27
8	Erklärung der Symbole am Gerät.....	28
9	Technische Grenzen und Bedingungen.....	28
10	Installation.....	28
11	Schaltpläne.....	32
12	Entsorgung.....	33
13	Technische Daten.....	33

## 1 Important notes

Lesen und befolgen Sie bitte alle Anweisungen, Richtlinien und Warnhinweise in diesem Produkthandbuch sorgfältig, um sicherzustellen, dass Sie das Produkt ordnungsgemäß installieren und stets ordnungsgemäß betreiben und warten. Diese Anleitung MUSS bei dem Produkt verbleiben.

Durch die Verwendung des Produktes bestätigen Sie hiermit, dass Sie alle Anweisungen, Richtlinien und Warnhinweise sorgfältig gelesen haben und dass Sie die hierin dargelegten Bestimmungen verstanden haben und ihnen zustimmen. Sie erklären sich damit einverstanden, dieses Produkt nur für den angegebenen Verwendungszweck und gemäß den Anweisungen, Richtlinien und Warnhinweisen dieses Produkthandbuchs sowie gemäß allen geltenden Gesetzen und Vorschriften zu verwenden. Eine Nichtbeachtung der hierin enthaltenen Anweisungen und Warnhinweise kann zu einer Verletzung Ihrer selbst und anderer Personen, zu Schäden an Ihrem Produkt oder zu Schäden an anderem Eigentum in der Umgebung führen. Dieses Produkthandbuch, einschließlich der Anweisungen, Richtlinien und Warnhinweise, sowie die zugehörige Dokumentation können Änderungen und Aktualisierungen unterliegen. Aktuelle Produktinformationen finden Sie unter [documents.dometic.com](http://documents.dometic.com).

## 2 Erklärung der Symbole



**GEFAHR!** Kennzeichnet eine Gefahrensituation, die zum Tod oder schwerer Verletzung führt, wenn die jeweiligen Anweisungen nicht befolgt werden.



**WARNUNG!** Kennzeichnet eine Gefahrensituation, die zum Tod oder schwerer Verletzung führt, wenn die jeweiligen Anweisungen nicht befolgt werden.



**VORSICHT!** Kennzeichnet eine Gefahrensituation, die zu geringer oder mittelschwerer Verletzung führen könnte, wenn die jeweiligen Anweisungen nicht befolgt werden.



**ACHTUNG!** Kennzeichnet eine Gefahrensituation, die zu geringer oder mittelschwerer Verletzung führen könnte, wenn die jeweiligen Anweisungen nicht befolgt werden.



**Hinweis** Ergänzende Informationen zur Bedienung des Produktes.

### 3 Ziel-gruppen



Der Anschluss an die Stromversorgung muss von einer Fachkraft ausgeführt werden, die nachweislich über Fähigkeiten und Kenntnisse in Bezug auf den Aufbau und den Betrieb von Elektrogeräten und -anlagen verfügt und ein Sicherheitstraining zum Erkennen und Vermeiden der diesbezüglichen Gefahren absolviert hat.



Die mechanische Installation muss durch eine qualifizierte Person durchgeführt werden, die mit dem Aufbau und der Bedienung der Anlage und den damit verbundenen Gefahren vertraut ist.

### 4 Sicherheitshinweise



**WARNUNG! Nichtbeachtung dieser Warnungen kann zum Tod oder schwerer Verletzung führen.**

- Die Reparatur des Geräts darf nur von Fachkräften durchgeführt werden, die mit den verbundenen Gefahren bzw. den einschlägigen Vorschriften vertraut sind. Durch unsachgemäße Reparaturen können erhebliche Gefahren entstehen. Wenn Reparaturen notwendig sind, wenden Sie sich an den Kundendienst in Ihrem Land (siehe [dometic.com/dealer](http://dometic.com/dealer)).
- Das Gerät muss gemäß den nationalen Vorschriften für elektrische und mechanische Installationen montiert werden.
- **Elektrogeräte sind kein Kinderspielzeug!** Kinder können Gefahren, die von elektrischen Geräten ausgehen, nicht richtig einschätzen. Lassen Sie Kinder nicht ohne Aufsicht elektrische Geräte benutzen.
- Personen, die aufgrund ihrer physischen, sensorischen oder geistigen Fähigkeiten oder ihrer Unerfahrenheit oder Unkenntnis nicht in der Lage sind, das Gerät sicher zu benutzen, sollten dieses Gerät nicht ohne Aufsicht oder Unterweisung durch eine verantwortliche Person nutzen.
- Im Falle von Feuer lösen Sie **nicht** den oberen Deckel des Geräts. Verwenden Sie stattdessen zugelassene Löschmittel. Verwenden Sie kein Wasser zum Löschen.
- Das Gerät ist in einem Raum zu lagern, in dem keine Geräte mit offenen Flammen (z. B. ein betriebsbereites Gasgerät) und Zündquellen (z. B. ein betriebsbereites elektrisches Heizgerät) ständig in Betrieb sind.
- Das Gerät ist horizontal an einem trockenen, gut belüfteten und überdachten Ort zu lagern.
- Das Gerät darf nicht durchstochen oder verbrannt werden.
- Beachten Sie, dass Kältemittel möglicherweise keinen Geruch aufweisen.
- Die Dachklimaanlage ist für die Montage an einem Fahrzeug mit einer Bodenfläche von größer als 4 m<sup>2</sup> vorgesehen.



**VORSICHT! Nichtbeachtung dieser Hinweise kann zu leichten bis mittelschweren Verletzungen führen.**

- Betreiben Sie das Gerät nur, wenn das Gehäuse und die Kabel unbeschädigt sind.
- Setzen Sie das Gerät nicht in der Nähe von entflammaren Flüssigkeiten oder in geschlossenen Räumen ein.
- Achten Sie darauf, dass brennbare Gegenstände nicht im Bereich des Luftaustritts gelagert oder montiert sind. Der Abstand muss mindestens 50 cm betragen.
- Greifen Sie nicht in Lüftungsauslässe und führen Sie keine Fremdgegenstände in das Gerät ein.
- Tragen Sie stets eine Schutzbrille und Handschuhe.



**ACHTUNG! Beschädigungsgefahr**

- Das Gerät funktioniert optimal bei 1020 mbar.
- Das Gerät ist so zu lagern, dass eine mechanische Beschädigung vermieden wird.
- Prüfen Sie vor Montage, ob durch die Montage des Gerät ggf. Fahrzeugkomponenten beschädigt werden könnten (z. B. Lampen, Schränke, Türen). Der Fahrzeughersteller hat eventuell bereits Stellen vorgesehen, an denen die Öffnung für die Montage des Geräts ohne Gefahr einer Schwächung des Aufbaus bzw. eines Durchtrennens von Stromkabeln hergestellt werden kann.
- Fragen Sie vor der Montage beim Fahrzeughersteller nach, ob der Aufbau für das statische Gewicht und die Belastungen durch die Dachklimaanlage während der Fahrt ausgelegt ist.
- Dichten Sie alle bei der Montage der Dachklimaanlage erstellten Öffnungen ab.
- Wählen Sie als Montageort eine flache und ausreichend ebene Zone in der Mitte zwischen zwei Längsprofilen des Fahrzeugdaches.
- Die Dachneigung der Montagefläche darf nicht mehr als 10 ° betragen.
- Stellen Sie sicher, dass sich im Fahrzeug keine Objekte befinden, welche die Befestigung des Luftverteilerkastens oder die Strömung der gekühlten Luft durch die schwenkbaren Luftverteilerdüsen behindern könnten.
- Führen Sie keine Änderungen oder Umbauten am Gerät durch!
- Bei angebauter Anlage dürfen Sie auf keinen Fall mit Ihrem Fahrzeug durch automatische Waschanlagen fahren.
- Treten Fehler im Kältemittelkreislauf auf, so muss die Anlage von einem Fachbetrieb geprüft und ordnungsgemäß instand gesetzt werden.
- Das Kältemittel darf nicht in die Atmosphäre abgelassen werden.
- Bitte informieren Sie sich bei Ihrem Fahrzeughersteller, ob aufgrund des Aufbaues der Dachklimaanlage eine Änderung des Eintrags der Fahrzeughöhe in den Fahrzeugpapieren notwendig ist.

## 5 Lieferumfang

Nr. in Abb. <b>1</b> , Abb. <b>2</b>	Anzahl	Beschreibung
1	1	Dacheinheit
2	1	Dachrahmen
3	1	Luftverteilerkasten (ADB)
4	1	Mittlere Abdeckung Luftverteilerkasten

Nr. in Abb. <b>1</b> , Abb. <b>2</b>	Anzahl	Beschreibung
5	4	Kanalabschnitte
6	3	Kabelverbinder
7	4	Befestigungsschrauben
8	1	Kastenabdeckung
9	1	<b>Nur Freshjet FJX4233EEH/FJX4333E(EH)/FJX7333IHP/ FJX7337IHP/FJX7457IHP:</b> Fernbedienung

## 6 Zubehör

Als Zubehör erhältlich (nicht im Lieferumfang enthalten):

Beschreibung	Art.-Nr.
Luftkanalverlängerungen (durch jeden Abschnitt werden 10 mm hinzugefügt)	4450017931
Längere Befestigungsschrauben M6 x 160 mm (für Dachstärken 60 ... 120 mm)	4450012023
Luftreiniger	4450029486
Elektrische Heizung	4450029487
Umgebungslicht für Luftverteilerkasten	4450029488
Filter für Freshjet FJX4233M	4450024007 4450024008
Filter für Freshjet FJX4233EEH/FJX4333E(EH)/FJX7333IHP/FJX7337IHP/FJX7457IHP	4450025683

## 7 Bestimmungsgemäßer Gebrauch

Die Dachklimaanlage Freshjet FJX ist nur für die Montage auf dem Dach eines Wohnwagens oder Freizeitfahrzeugs zur Kühlung vorgesehen.

Die Dachklimaanlage ist **nicht** für Züge, Häuser und Wohnungen geeignet. Die Dachklimaanlage ist **nicht** für die Montage in Baumaschinen, Landmaschinen oder ähnlichen Arbeitsgeräten geeignet.

Dieses Produkt ist nur für den angegebenen Verwendungszweck und die Anwendung gemäß dieser Anleitung geeignet.

Dieses Handbuch enthält Informationen, die für die ordnungsgemäße Installation und/oder den ordnungsgemäßen Betrieb des Produkts erforderlich sind. Installationsfehler und/oder ein nicht ordnungsgemäßer Betrieb oder eine nicht ordnungsgemäße Wartung haben eine unzureichende Leistung und u. U. einen Ausfall des Geräts zur Folge.

Der Hersteller übernimmt keine Haftung für Verletzungen oder Schäden am Produkt, die durch Folgendes entstehen:

- Unsachgemäße Montage oder falscher Anschluss, einschließlich Überspannung
- Unsachgemäße Wartung oder Verwendung von anderen als den vom Hersteller gelieferten Original-Ersatzteilen
- Veränderungen am Produkt ohne ausdrückliche Genehmigung des Herstellers
- Verwendung für andere als die in der Anleitung beschriebenen Zwecke

Dometic behält sich das Recht vor, das Erscheinungsbild des Produkts und dessen technische Daten zu ändern.

## 8 Erklärung der Symbole am Gerät



Warnung! Material mit geringer Abbrandgeschwindigkeit.



Lesen Sie die Bedienungsanleitung.



Lesen Sie das Servicehandbuch.

## 9 Technische Grenzen und Bedingungen

Die Dachklimaanlage ist für Fahrzeuge mit einer Dachstärke von 25 mm ... 60 mm vorgesehen. Die Funktion der Dachklimaanlage ist bei Umgebungstemperaturen zwischen  $-2^{\circ}\text{C}$  ...  $52^{\circ}\text{C}$  gewährleistet. Die Dachklimaanlage ist für den Einbau innerhalb von  $\pm 10^{\circ}$  zur horizontalen Ebene vorgesehen. Die Leistung der Dachklimaanlage kann beeinträchtigt werden, wenn sie starken Vibrationen ausgesetzt ist, z. B. durch schlechte Straßenverhältnisse.

## 10 Installation



### **GEFAHR! Gefahr durch Stromschlag**

- Der Anschluss an die Stromversorgung muss von einer Fachkraft ausgeführt werden, die nachweislich über Fähigkeiten und Kenntnisse in Bezug auf den Aufbau und den Betrieb von Elektrogeräten und -anlagen verfügt und ein Sicherheitstraining zum Erkennen und Vermeiden der diesbezüglichen Gefahren absolviert hat.
- Unterbrechen Sie bei Arbeiten an der Dachklimaanlage alle Stromversorgungen!
- Stellen Sie sicher, dass sich die Anlage nicht wieder mit der Stromversorgung verbinden kann.



### **WARNUNG! Gefahr durch Stromschlag**

- Der Einbau des Geräts muss in Übereinstimmung mit nationalen Bestimmungen erfolgen.
- Folgendes muss in die Festverdrahtung gemäß den Anschlussvorschriften integriert werden: Eine allpolige Trennvorrichtung mit einer Kontaktöffnung von mindestens 3 mm an allen Polen; bei einem Leckstrom, der 10 mA überschreiten kann, eine Fehlerstrom-Schutzvorrichtung (RCD) mit einem nominellen Ansprech-Fehlerstrom von nicht mehr als 30 mA; eine Trennvorrichtung.
- Wenn bei der Anlage ein Fenster oder eine Luke durch eine sicherheitsrelevante Zwangsentlüftung ersetzt wird, muss eine zusätzliche Sicherheitsentlüftung (z. B. ein Pilzventilator o. Ä.) eingebaut werden. Wenden Sie sich im Zweifelsfall an den Fahrzeughersteller.
- Nach Montage der Dachklimaanlage muss ein in der Nähe der Dachklimaanlage befindlicher Abluftkamin mindestens 10 cm darüber hinausragen. Verlängern Sie bei Bedarf den Abluftkamin. Beachten Sie die Hinweise des Heizgeräteherstellers.



### **VORSICHT! Verletzungsgefahr!**

- Eine unsachgemäße Montage der Dachklimaanlage kann zu irreparablen Schäden an der Anlage führen und ein Sicherheitsrisiko für den Benutzer darstellen.
- Zum Tragen und Anheben der Dachklimaanlage ist eine zweite Person erforderlich.
- Prüfen Sie vor der Montage den Verlauf von vorhandenen, insbesondere nicht sichtbaren Kabelsträngen, Leitungen und anderen Komponenten, die sich im Montagebereich befinden, und beachten Sie diese bei der Montage des Geräts (beim Bohren oder Schrauben usw.).
- Verlegen und befestigen Sie die Leitungen so, dass keine Stolpergefahr besteht und eine Beschädigung des Kabels ausgeschlossen ist.
- Tragen Sie stets eine Schutzbrille und Handschuhe.



### **ACHTUNG! Beschädigungsgefahr**

- Das Gerät ist ein abgedichtetes System mit einem geschlossenen Kühlkreislauf. Dieser darf nicht geöffnet oder verändert werden.
- Müssen Leitungen durch scharfkantige Wände geführt werden, so verwenden Sie Leerrohre bzw. Leitungsdurchführungen.
- Verlegen Sie keine losen oder scharf abgeknickten Leitungen an elektrisch leitenden Materialien (Metall).
- Ziehen Sie nicht an den Leitungen.
- Stellen Sie sicher, dass die Kabel nicht Verschleiß, Korrosion, übermäßigem Druck, Schwingungen, scharfen Kanten oder anderen schädlichen Umgebungsauswirkungen ausgesetzt sind. Bei der Prüfung müssen auch die Auswirkungen von Alterung oder kontinuierlichen Schwingungsquellen wie Kompressoren oder Lüftern berücksichtigt werden.
- Beachten Sie die Statik des Fahrzeugdachs. Das Fahrzeugdach muss das Gewicht der Dachklimaanlage tragen können, ohne eingedrückt zu werden oder sich zu verformen. Wenden Sie sich im Zweifelsfall an den Fahrzeughersteller.



### **Hinweis**

- Die technischen Daten des Geräts finden Sie im Technische Daten und auf den folgenden Typenschildern:
- Typenschild der Dacheinheit Abb. **3**
- Typenschild des Luftverteilerkastens Abb. **4**



Find additional information on roof air conditioners in the operating manual, such as the technical description or the controls, see [documents.dometic.com/?object\\_id=75095](https://documents.dometic.com/?object_id=75095).



Abb. **3** auf Seite 2 Abb. **4** auf Seite 2

1. Wählen Sie Ihre Installationsmethode für die Dachklimaanlage:

- Herstellen einer neuen Öffnung. In diesem Fall muss in die neue Öffnung ein geeigneter Rahmen zur Verstärkung eingebracht werden.
- Eine vorhandene Öffnung in dem Fahrzeug wird verwendet, wie beispielsweise eine Dachluke, oder eine alte Dachklimaanlage wird ersetzt.

### Neue Öffnung herstellen

2. Wählen Sie auf dem Dach eine Zone in der Mitte zwischen zwei Längsprofilen.

Abb. **5** auf Seite 2

3. Markieren Sie die Position und Größe der Öffnung (400 × 400 mm).

4. Bohren Sie die Ecken aus (**A**).



**ACHTUNG! Beschädigungsgefahr** Stellen Sie sicher, dass keine elektrischen Kabel beschädigt werden. Prüfen Sie, wo sich die elektrischen Kabel befinden.

Abb. **6** auf Seite 3

5. Schneiden Sie die Öffnung im Dach sorgfältig mit einer Stichsäge o. Ä. aus (**B**).

6. Prüfen Sie, ob die Dachöffnung verstärkt werden muss.

7. Entfernen Sie bei Bedarf die Ausschäumung entsprechend der Breite Ihrer Verstärkungsleisten (nicht im Lieferumfang enthalten) (**A**).

Abb. **7** auf Seite 3

8. Verstärkungsleisten einpassen (**B**).

### Einbau in eine vorhandene Öffnung

9. Entfernen Sie alle Schrauben und Befestigungen der vorhandenen Dachluke oder Klimaanlage.

Abb. **8** auf Seite 3

10. Nehmen Sie die Dachluke bzw. Dachklimaanlage heraus.

11. Entfernen Sie das Dichtungsmaterial rund um die Öffnung mit einem Schaber o. Ä.

Abb. **9** auf Seite 3

### Anschlussleitungen verlegen

12. Prüfen Sie, ob die Spannungsangabe auf dem Typenschild der Dachklimaanlage mit der vorhandenen Netzspannung übereinstimmt. Die Dachklimaanlage muss an einen Stromkreis angeschlossen werden, der in der Lage ist, den erforderlichen Strom zu liefern (Technische Daten).

13. Stellen Sie sicher, dass die Stromversorgung über einen Fehlerstrom-Schutzschalter abgesichert ist (< 30 mA). Falls nicht vorhanden, installieren Sie einen Fehlerstrom-Schutzschalter.

14. Bauen Sie auf der Montageseite einen allpoliger Schalter mit einer Kontaktöffnung von mindestens 3 mm ein.



15. Wählen Sie den Leitungsquerschnitt der Stromversorgung entsprechend der Leitungslänge aus:

- Länge < 7,5 m: 1,5 mm<sup>2</sup>
- Länge > 7,5 m: 2,5 mm<sup>2</sup>

16. Bringen Sie an einer Seite eine Öffnung für das Durchführen des Stromversorgungskabels an.

Abb. **10** auf Seite 3

17. Verlegen Sie das Stromversorgungskabel durch die Öffnung in den Fahrzeuginnenraum.

### Dacheinheit einbauen

18. Dichten Sie den Rand des Dachrahmens mit einem plastischen, nicht aushärtenden Butyldichtstoff ab (z. B. SikaLastomer-710, Selleys Butyl Mastic, Bostik Ezycaulk-Butyldichtstoff o. Ä.). Beachten Sie die Hinweise des Dichtmittel-Herstellers.

Abb. **11** auf Seite 4

19. Richten Sie den Dachrahmen anhand der Öffnungsgröße aus.

20. Passen Sie den Dachrahmen in die Dachöffnung ein.

Abb. **12** auf Seite 4

21. Heben Sie die Dacheinheit auf das Fahrzeugdach. Beachten Sie die Fahrtrichtung.

22. Setzen Sie die Dacheinheit in den Dachrahmen ein und richten Sie sie in der Nut des Dachrahmens aus. Richten Sie die Nut des Dachrahmens anhand der Ecken an der Vorderseite des Dachrahmens aus.

### Elektrische Anschlüsse

23. Schließen Sie das Stromversorgungskabel an.

Abb. **13** auf Seite 5

- a) Schließen Sie die zugehörigen Leitungen (**1**) an jeweils einen Kabelverbinder (**2**) an.
- b) Schließen Sie die Dachklimaanlage an die Stromversorgung an.
- c) Schließen Sie das Massekabel an das Massesystem des Fahrzeugs an.

24 **Nur Freshjet FJX4233M:** Schließen Sie das Kabel zwischen der externen Einheit und dem Luftkastendiffusor an.

- a) Ziehen Sie den Filter leicht heraus, um einen Spalt für das Verbindungskabel (**3**) zu schaffen.
- b) Führen Sie das Kabel durch den Spalt und platzieren Sie die Leitung in der Öffnung.
- c) Schließen Sie den 6-poligen Verbindungsstecker an die Buchse an der Seite des Displays am Luftverteilerkasten an. Stellen Sie sicher, dass sich das Kabel in der kleinen Öffnung, weg von dem Filterbereich befindet.
- d) Befestigen Sie überhängende Kabelabschnitte in den Halterungen.

25 **Nur Freshjet FJX4233EEH/FJX4333E(EH)/FJX7333IHP/FJX7337IHP/FJX7457IHP:** Schließen Sie das Verbindungskabel an.

- a) Ziehen Sie den Filter leicht heraus, um einen Spalt für das Verbindungskabel (**4**) zu schaffen.
- b) Führen Sie das Verbindungskabel durch den Spalt und platzieren Sie die Leitung in der Öffnung.
- c) Schließen Sie den 4-poligen Verbindungsstecker an die Buchse an der Seite des Displays am Luftverteilerkasten an. Stellen Sie sicher, dass sich das Kabel in der kleinen Öffnung, weg von dem Filterbereich befindet.
- d) Befestigen Sie überhängende Kabelabschnitte in den Halterungen.

## Luftverteilerkasten einbauen

26 Stapeln Sie die Luftkanäle und setzen Sie sie entsprechend der Dachstärke ein: Stellen Sie dabei sicher, dass die Kanalhöhe der Dachhöhe entspricht oder verwenden Sie die Tabelle als Richtlinie.

Abb. **14** auf Seite 6

Dachstärke	Anzahl von Kanalabschnitten
25 ... 35 mm	1
35 ... 45 mm	2
45 ... 55 mm	3
55 ... 60 mm	4



**Hinweis** Bei größerer Dachstärke können zusätzliche Kanalabschnitte erworben werden.

27 Bringen Sie die erforderliche Anzahl von Kanalabschnitten an dem Luftverteilerkasten an.

28 Befestigen Sie den Luftverteilerkasten an der Decke, indem Sie die 4 im Lieferumfang enthaltenen Schrauben durch die Dacheinheit führen. Ziehen Sie die Schrauben mit einem Drehmomentschlüssel und einem Anzugsmoment von  $2.5 \text{ Nm} \pm 0.3 \text{ Nm}$  an.

Abb. **15** auf Seite 7

29 Drücken Sie den Filter wieder vollständig in die Halterung.

Abb. **16** auf Seite 7

30 Rasten Sie die mittlere Abdeckung am Luftverteilerkasten ein.

Abb. **17** auf Seite 8

31 Informieren Sie sich beim Fahrzeughersteller, ob aufgrund des Aufbaus der Dachklimaanlage eine Abnahme (nach § 19 StVZO) und eine Änderung des Eintrags der Fahrzeughöhe in den Fahrzeugpapieren notwendig sind:

- FreshJet FJX4233, FreshJet FJX4333, FreshJet FJX7333: Größere Höhe 225 mm
- FreshJet FJX7337: Größere Höhe 240 mm
- FreshJet FJX7457: Größere Höhe 283 mm

Der Einbau ist nun abgeschlossen.

Schließen Sie die Dachklimaanlage an die Stromversorgung an und prüfen Sie, ob sie funktioniert.

## 11 Schaltpläne

### FJX4233M

Abb. **18** auf Seite 8

### FJX4233E, FJX4333E(EH), FJX7333IHP

Abb. **19** auf Seite 9

**FJX7337IHP, FJX7457IHP**

Abb. 20 auf Seite 9

**Luftverteilerkasten**

Abb. 21 auf Seite 10

## 12 Entsorgung



Geben Sie das Verpackungsmaterial möglichst in den entsprechenden Recycling-Müll. Wenden Sie sich an ein örtliches Recyclingzentrum oder einen Fachhändler, um zu erfahren, wie Sie das Produkt gemäß den geltenden Entsorgungsvorschriften entsorgen können.




Schützen Sie Ihre Umwelt! Akkus und Batterien gehören nicht in den Hausmüll. Geben Sie bitte Ihre defekten Akkus oder verbrauchten Batterien beim Händler oder bei einer Sammelstelle ab.


## 13 Technische Daten

Enthält fluorierte Treibhausgase. Hermetisch geschlossene Vorrichtung.

	<b>FreshJet FJX4233M</b>
Kühlleistung in Anlehnung an ISO 5151:	1500 W
Eingangswchselspannung:	220 V ... 240 V / 50 Hz
Nennstrom Kühlung:	< 3.3 A
Benötigte Sicherung:	4 A
Betriebstemperaturbereich:	- 2 °C ... 52 °C
Kühlmittel:	R410a
Kühlmittelmenge:	380 g
CO <sub>2</sub> -Äquivalent:	0.793 t
Treibhauspotential (GWP):	2088
Schutzklasse (Dachklimaanlage):	IPX4
Geräuschpegel (höchste Lüfterstufe)	< 70 dB(A)
Vorgeschlagene maximale Fahrzeuglänge (mit isolierten Wänden):	< 5 m

	<b>FreshJet FJX4233M</b>
Abmessungen L x B x H:	Abb. <b>22</b>
Gewicht:	< 30 kg
Prüfung/Zertifikat:	

	<b>FreshJet FJX4233EEH</b>	<b>FreshJet FJX4333EEH</b>	<b>FreshJet FJX4333E</b>
Kühlleistung in Anlehnung an ISO 5151:	1700 W	2200 W	2200 W
Heizleistung in Anlehnung an ISO 5151:	800 W	1000 W	-
Eingangsschaltspannung:	220 V ... 240 V / 50 Hz		
Nennstrom Kühlung:	3.6 A	4.8 A	4.8 A
Nennstrom Heizung:	< 5.2 A	< 5.2 A	-
Benötigte Sicherung:	4 A	5 A	6 A
Betriebstemperaturbereich:	- 2 °C ... 52 °C		
Kühlmittel:	R32		
Kühlmittelmenge:	320 g	360 g	360 g
CO <sub>2</sub> -Äquivalent:	0.216 t	0.243 t	0.243 t
Treibhauspotential (GWP):	675		
Schutzklasse (Dachklimaanlage):	IPX4		
Geräuschpegel (höchste Lüfterstufe)	< 70 dB(A)		
Vorgeschlagene maximale Fahrzeuglänge (mit isolierten Wänden):	< 6 m	< 7 m	< 7 m
Abmessungen L x B x H:	Abb. <b>23</b>		
Gewicht:	< 30 kg	< 30 kg	< 30 kg
Prüfung/Zertifikat:			

	Freshjet FJX7333IHP	Freshjet FJX7337IHP	Freshjet FJX7457IHP
Kühlleistung in Anlehnung an ISO 5151:	2200 W	3000 W	3500 W
Heizleistung in Anlehnung an ISO 5151:	2000 W	2500 W	3000 W
Eingangswchelsspannung:	220 V ... 240 V / 50 Hz ... 60 Hz	220 V ... 240 V / 50 Hz ... 60 Hz	220 V ... 240 V / 50 Hz ... 60 Hz
Nennstrom Kühlung:	< 7.5 A	< 7.5 A	< 7.5 A
Nennstrom Heizung:	< 6.1 A	< 6.1 A	< 6.1 A
Benötigte Sicherung:	6 A	6 A	6 A
Betriebstemperaturbereich:	- 2 °C ... 52 °C	- 2 °C ... 52 °C	- 2 °C ... 52 °C
Kühlmittel:	R32	R32	R32
Kühlmittelmenge:	420 g	480 g	650 g
CO <sub>2</sub> -Äquivalent:	0.2835 t	0.3240 t	0.43875 t
Treibhauspotential (GWP):		675	
Schutzklasse (Dachklimaanlage):		IPX4	
Geräuschpegel (höchste Lüfterstufe)		< 70 dB(A)	
Vorgeschlagene maximale Fahrzeuglänge (mit isolierten Wänden):	< 7 m	< 7 m	> 8 m
Abmessungen L x B x H:	Abb. <b>23</b>	Abb. <b>24</b>	Abb. <b>25</b>
Gewicht:	< 30 kg	< 35 kg	< 40 kg
Prüfung/Zertifikat:			

## French

1	Important notes.....	36
2	Signification des symboles.....	36
3	Groupes cible.....	37
4	Consignes de sécurité.....	37
5	Contenu de la livraison.....	38
6	Accessoires.....	39
7	Usage conforme.....	39
8	Description des symboles de l'appareil.....	40
9	Limites et conditions techniques.....	40
10	Installation.....	40
11	Schémas de raccordement.....	44
12	Mise au rebut.....	45
13	Caractéristiques techniques.....	45

## 1 Important notes

Veillez lire et suivre attentivement l'ensemble des instructions, directives et avertissements figurant dans ce manuel afin d'installer, d'utiliser et d'entretenir le produit correctement à tout moment. Ces instructions DOIVENT rester avec le produit.

En utilisant ce produit, vous confirmez expressément avoir lu attentivement l'ensemble des instructions, directives et avertissements et que vous comprenez et acceptez de respecter les modalités et conditions énoncées dans le présent document. Vous acceptez d'utiliser ce produit uniquement pour l'usage et l'application prévus et conformément aux instructions, directives et avertissements figurant dans le présent manuel, ainsi qu'à toutes les lois et réglementations applicables. En cas de non-respect des instructions et avertissements figurant dans ce manuel, vous risquez de vous blesser ou de blesser d'autres personnes, d'endommager votre produit ou d'endommager d'autres biens à proximité. Le présent manuel produit, y compris les instructions, directives et avertissements, ainsi que la documentation associée peuvent faire l'objet de modifications et de mises à jour. Pour obtenir des informations actualisées sur le produit, consulter le site [documents.dometic.com](http://documents.dometic.com).

## 2 Signification des symboles



**DANGER !** indiquent une situation dangereuse qui, si elle n'est pas évitée, entraînera des blessures graves, voire mortelles.



**AVERTISSEMENT !** indiquent une situation dangereuse qui, si elle n'est pas évitée, entraînera des blessures graves, voire mortelles.



**ATTENTION !** indiquent une situation dangereuse qui, si elle n'est pas évitée, est susceptible d'entraîner des blessures légères ou de gravité modérée.



**AVIS !** indiquent une situation dangereuse qui, si elle n'est pas évitée, est susceptible d'entraîner des blessures légères ou de gravité modérée.



**Remarque** Informations complémentaires sur l'utilisation de ce produit.

### 3 Groupes cible



L'alimentation électrique doit être raccordée par un électricien qualifié disposant des compétences et des connaissances requises en matière de structure et de fonctionnement d'équipements et d'installations électriques et ayant suivi une formation de sécurité afin d'identifier et d'éviter les risques associés.



L'installation mécanique doit être exécutée par du personnel qualifié connaissant la structure et le fonctionnement de l'équipement, ainsi que les risques encourus.

### 4 Consignes de sécurité



**AVERTISSEMENT ! Le non-respect de ces mises en garde peut entraîner des blessures graves, voire mortelles.**

- Seul un personnel qualifié et parfaitement informé des dangers et règlements spécifiques à ces manipulations est habilité à effectuer des réparations sur cet appareil. Toute réparation inappropriée risque d'entraîner de graves dangers. Pour tout service de réparation, contactez le centre d'entretien de votre pays (voir [dometic.com/dealer](http://dometic.com/dealer)).
- L'appareil doit être installé conformément aux réglementations nationales en matière d'installation électrique et mécanique.
- **Les appareils électriques ne sont pas des jouets pour enfants.** Les enfants ne peuvent estimer les dangers éventuels des appareils électriques. Ne laissez pas les enfants utiliser des appareils électriques sans surveillance.
- Les personnes qui ne sont pas en mesure d'utiliser l'appareil en toute sécurité, que ce soit en raison de déficiences physiques, sensorielles ou mentales ou encore par manque d'expérience ou de connaissances, ne sont pas autorisées à le faire, sauf si une personne garante de leur sécurité les surveille ou leur fournit des explications sur son utilisation.
- En cas, d'incendie, ne retirez **pas** le cache supérieur de l'appareil. Utilisez plutôt des agents d'extinction agréés. N'essayez pas d'éteindre l'incendie avec de l'eau.
- L'appareil doit être stocké dans une pièce sans flamme nue en fonctionnement continu (par exemple, un appareil à gaz en fonctionnement) ni source d'ignition (par exemple, un chauffage électrique en fonctionnement).
- L'appareil doit être stocké horizontalement dans un endroit sec, ventilé et couvert.
- Ne percez ou ne brûlez pas l'appareil.
- Notez que les réfrigérants peuvent ne pas avoir d'odeur.
- Le climatiseur de toit doit être installé dans un véhicule dont la surface au sol est supérieure à 4 m<sup>2</sup>.



### **ATTENTION ! Le non-respect de ces mises en garde peut entraîner des blessures légères ou de gravité modérée.**

- Utilisez uniquement l'appareil après avoir vérifié que le boîtier et les câbles sont intacts.
- N'utilisez pas l'appareil à proximité de liquides inflammables ou dans des pièces fermées.
- Assurez-vous qu'aucun objet inflammable n'est entreposé ni installé à proximité de l'échappement. Une distance d'au moins 50 cm doit être observée.
- Ne glissez pas vos doigts dans les échappements et n'introduisez aucun objet à l'intérieur de l'appareil.
- Portez toujours des lunettes et des gants de protection.



### **AVIS ! Risque d'endommagement**

- L'appareil fonctionne de manière optimale à 1020 mbar.
- L'appareil doit être stocké de manière à éviter tout dommage mécanique.
- Avant toute opération, vérifiez qu'aucun élément du véhicule (p. ex. éclairages, armoires, portes, etc.) ne risque d'être endommagé lors du montage de l'appareil. Le constructeur du véhicule peut avoir déjà prévu des points où l'ouverture pour le montage de l'appareil peut être réalisée sans risquer d'affaiblir la structure ou de sectionner des câbles d'alimentation.
- Avant l'installation, consultez le constructeur du véhicule pour savoir si sa structure est conçue pour supporter le poids statique et les charges du climatiseur de toit lorsque le véhicule est en mouvement.
- Scellez de manière étanche toutes les ouvertures réalisées lors de la pose du climatiseur de toit.
- Choisissez comme emplacement de montage une zone plane et suffisamment lisse située au milieu du toit, entre deux profils longitudinaux.
- L'inclinaison du toit au niveau de la surface de montage ne doit pas dépasser 10 °.
- Assurez-vous qu'à l'intérieur du véhicule aucun obstacle ne puisse gêner la fixation du caisson de distribution d'air ni la sortie de l'air frais par les buses orientables.
- Ne procédez à aucune modification ni transformation de l'appareil !
- Si l'appareil est installé sur votre véhicule, ne le lavez jamais dans une station de lavage automatique.
- Si des défauts apparaissent dans le circuit frigorifique, ce dernier doit être contrôlé et remis en état par une entreprise spécialisée.
- Tout rejet de fluide frigorigène dans l'atmosphère est formellement interdit.
- Demandez au constructeur du véhicule si la hauteur référencée dans les documents du véhicule doit être modifiée en raison de l'installation du climatiseur de toit.

## **5 Contenu de la livraison**

Référence dans fig. <b>1</b> , fig. <b>2</b>	Quantité	Description
1	1	Unité de toit
2	1	Cadre de toit
3	1	Boîte de distribution d'air (ADB)
4	1	Cache centrale de l'ADB



Référence dans fig. <b>1</b> , fig. <b>2</b>	Quantité	Description
5	4	Sections de gaine
6	3	Raccords de câbles
7	4	Vis de fixation
8	1	Couvercle du caisson
9	1	<b>Uniquement pour les modèles FreshJet FJX4233EEH/FJX4333E(E-H)/FJX7333IHP/FJX7337IHP/FJX7457IHP</b> : Télécommande

## 6 Accessoires

Disponibles comme accessoires (non compris dans la livraison) :

Description	N° d'article
Sections de gaine d'extension (chaque section couvre 10 mm supplémentaires)	4450017931
Vis de fixation plus longues M6 x 160 mm (pour les toits d'une épaisseur de 60 ... 120 mm)	4450012023
Purificateur d'air	4450029486
Radiateur électrique	4450029487
Éclairage ambiant du caisson de distribution d'air (ADB)	4450029488
Filtres pour FreshJet FJX4233M	4450024007 4450024008
Filtres pour FreshJet FJX4233EEH/FJX4333E(EH)/FJX7333IHP/FJX7337IHP/FJX7457IHP	4450025683

## 7 Usage conforme

Le climatiseur de toit FreshJet FJX est conçu pour être installé uniquement sur le toit d'une caravane ou d'un camping-car à des fins de refroidissement.

Le climatiseur de toit **n'est pas** adapté aux trains, maisons et appartements. Le climatiseur de toit ne convient **pas** aux engins de construction, aux machines agricoles ou autres engins de travail similaires.

Ce produit convient uniquement à l'usage et à l'application prévus, conformément au présent manuel d'instructions.

Ce manuel fournit les informations nécessaires à l'installation et/ou à l'utilisation correcte du produit. Une installation, une utilisation ou un entretien inappropriés entraînera des performances insatisfaisantes et une éventuelle défaillance.

Le fabricant décline toute responsabilité en cas de blessure ou de dommage résultant :

- d'un montage ou d'un raccordement incorrect, y compris d'une surtension

- d'un entretien inadapté ou de l'utilisation de pièces de rechange autres que les pièces de rechange d'origine fournies par le fabricant
- de modifications apportées au produit sans autorisation explicite du fabricant
- d'usages différents de ceux décrits dans ce manuel.

Dometic se réserve le droit de modifier l'apparence et les spécifications produit.

## 8 Description des symboles de l'appareil



Attention ! Matériau à combustion lente.



Consultez le manuel d'utilisation.



Consultez le manuel de service.

## 9 Limites et conditions techniques

Le climatiseur de toit est conçu pour les véhicules dotés d'un toit d'une épaisseur de 25 mm ... 60 mm. Le fonctionnement du climatiseur de toit est garanti pour les températures ambiantes comprises entre  $-2^{\circ}\text{C}$  ...  $52^{\circ}\text{C}$ . Le climatiseur de toit est conçu pour être installé à  $\pm 10^{\circ}$  du plan horizontal. Les performances du climatiseur de toit peuvent être réduites lorsqu'il est exposé à de fortes vibrations, par exemple en raison de mauvaises conditions routières.

## 10 Installation



### **DANGER ! Risque d'électrocution**

- L'alimentation électrique doit être raccordée par un électricien qualifié disposant des compétences et des connaissances requises en matière de structure et de fonctionnement d'équipements et d'installations électriques et ayant suivi une formation de sécurité afin d'identifier et d'éviter les risques associés.
- Coupez toutes les sources d'alimentation électrique pendant les travaux sur le climatiseur de toit.
- Assurez-vous que l'appareil ne peut pas être reconnecté.



### AVERTISSEMENT ! Risque d'électrocution

- L'appareil doit être installé conformément aux réglementations nationales en matière de câblage.
- Les éléments suivants doivent être incorporés dans le câblage fixe conformément aux règles de câblage : Un dispositif de déconnexion omnipolaire avec au moins 3 mm dégagements sur tous les pôles ; en présence d'un courant de fuite pouvant dépasser 10 mA, un disjoncteur différentiel ayant une intensité de courant résiduel de réponse ne dépassant pas 30 mA ; une déconnexion.
- Si l'appareil remplace une fenêtre ou une trappe dotée d'une fonction de ventilation forcée à des fins de sécurité, un dispositif de ventilation de sécurité supplémentaire (par exemple, un ventilateur de toit ou similaire) doit être ajouté. En cas de doute, consultez le fabricant du véhicule.
- Après l'installation du climatiseur de toit, une cheminée d'évacuation située à proximité du climatiseur de toit doit s'élever d'au moins 10 cm au-dessus de celui-ci. Si nécessaire, prolongez la cheminée d'évacuation. Respectez les instructions du fabricant de l'appareil de chauffage.



### ATTENTION ! Risque de blessures

- Un montage non conforme du climatiseur de toit peut endommager l'appareil de manière irréversible et compromettre la sécurité de l'utilisateur.
- Portez ou soulevez toujours le climatiseur de toit avec l'aide d'une autre personne.
- Avant l'installation, vérifiez la position des faisceaux de câbles, conduites et autres éléments existants, en particulier ceux qui ne sont pas visibles dans la zone de montage de l'appareil (opérations de perçage, de vissage, etc.).
- Fixez et posez les câbles de manière à exclure tout risque de trébuchement ou d'endommagement du câble.
- Portez toujours des lunettes et des gants de protection.



### AVIS ! Risque d'endommagement

- L'appareil est un système étanche avec un circuit de réfrigérant fermé. N'ouvrez ou ne manipulez en aucun cas le circuit de réfrigérant.
- Si des câbles doivent traverser des murs à arêtes vives, utilisez des conduits pour câbles.
- Ne faites passer aucun câble non fixé ou fortement coudé sur des matériaux conducteurs (métal).
- Ne tirez pas sur les câbles.
- Vérifiez que le câblage ne sera pas soumis à l'usure et à la corrosion, ni exposé à une pression excessive, à des vibrations, à des bords tranchants ou à tout autre effet environnemental indésirable. Prenez également en compte les effets dus à l'usure ou aux vibrations continues provenant de sources telles que les compresseurs ou les ventilateurs.
- Tenez compte des contraintes statiques exercées sur le toit du véhicule. Le toit du véhicule doit pouvoir supporter le poids du climatiseur de toit sans dégâts ni déformations. En cas de doute, consultez le fabricant du véhicule.



### Remarque

- Vous trouverez les caractéristiques techniques de l'appareil dans le document *Caractéristiques techniques* et sur les plaques signalétiques suivantes :
- Plaque signalétique de l'unité de toit fig. **3**
- Plaque signalétique du caisson de distribution d'air (ADB) fig. **4**



Find additional information on roof air conditioners in the operating manual, such as the technical description or the controls, see [documents.dometic.com/?object\\_id=75095](https://documents.dometic.com/?object_id=75095).



fig. 3 à la page 2 fig. 4 à la page 2

1. Choisissez la méthode d'installation du climatiseur de toit :
  - Réalisation d'une nouvelle ouverture. Dans ce cas, l'ouverture doit être renforcée par un cadre approprié.
  - Utilisez une ouverture existante dans le véhicule, telle qu'une trappe de toit ou remplacez un ancien climatiseur de toit.

### Percement d'une nouvelle ouverture

2. Choisissez une zone du toit située au centre, entre deux profils longitudinaux.

fig. 5 à la page 2

3. Marquez la position et la taille de l'ouverture (400 × 400 mm).
4. Percez les angles (A).



**AVIS ! Risque d'endommagement** Assurez-vous qu'aucun câble d'alimentation électrique n'est endommagé. Vérifiez l'emplacement des câbles électriques.

fig. 6 à la page 3

5. Découpez soigneusement l'ouverture sur le toit avec une scie sauteuse ou un outil similaire (B).
6. Vérifiez si l'ouverture du toit doit être renforcée.
7. Si nécessaire, retirez la mousse en fonction de la largeur de vos rails de renfort (non compris dans la livraison) (A).

fig. 7 à la page 3

8. Installez les rails de renfort (B).

### Installation dans une ouverture existante

9. Enlevez toutes les vis et fixations de la trappe de toit ou du climatiseur existant.

fig. 8 à la page 3

10. Retirez la trappe de toit ou le climatiseur de toit.
11. Éliminez les restes de mastic tout autour de l'ouverture avec un racloir ou un outil similaire.

fig. 9 à la page 3

### Pose des câbles de raccordement

12. Vérifiez que la tension indiquée sur la plaque signalétique du climatiseur de toit correspond à l'alimentation électrique. Le climatiseur de toit doit être relié à un circuit électrique capable de fournir le courant nécessaire (Caractéristiques techniques).
13. Vérifiez que l'alimentation électrique est équipée d'un disjoncteur différentiel (< 30 mA). Si tel n'est pas le cas, installez le disjoncteur différentiel.
14. Installez un interrupteur omnipolaire d'une largeur d'ouverture de contact d'au moins 3 mm du côté du montage.
15. Choisissez la section du câble d'alimentation électrique en fonction de sa longueur :
  - Longueur < 7,5 m : 1,5 mm<sup>2</sup>
  - Longueur > 7,5 m : 2,5 mm<sup>2</sup>

16. Faites une ouverture d'un côté afin de faire passer le câble d'alimentation.

fig. 10 à la page 3

17. Faites passer le câble d'alimentation électrique par l'ouverture dans l'habitacle du véhicule.

### Installation de l'unité de toit

18. Fermez le tour du cadre de toit avec un mastic butyle souple (p. ex. SikaLastomer-710, Selleys Butyl Mastic, mastic butyle Bostik Zycaulk, ou produits similaires). Veuillez tenir compte des recommandations du fabricant du produit d'étanchéité.

fig. 11 à la page 4

19. Orientez le cadre de toit en fonction de la taille de l'ouverture.

20. Placez le cadre de toit dans l'ouverture du toit.

fig. 12 à la page 4

21. Soulevez l'unité de toit au-dessus du toit du véhicule. Tenez compte du sens de la marche.

22. Positionnez l'unité de toit dans le cadre de toit et alignez-la sur la rainure du cadre de toit. Pour l'aligner sur la rainure du cadre de toit, utilisez les angles à l'avant du cadre de toit.

### Raccordement électrique

23. Branchez le câble d'alimentation électrique.

fig. 13 à la page 5

- Raccordez les câbles (1) à un connecteur de câble (2).
- Raccordez le climatiseur de toit à l'alimentation électrique.
- Connectez le câble de masse au système de mise à la terre du véhicule.

24. **Uniquement pour le modèle FreshJet FJX4233M** : Branchez le câble entre l'unité externe et le caisson de distribution d'air.

- Tirez légèrement sur le filtre afin de créer un espace pour le câble de communication (3).
- Faites passer le câble dans l'espace et repérez le fil dans l'ouverture.
- Branchez le connecteur de communication à 6 broches dans la prise située sur le côté de l'écran de l'ADB. Assurez-vous que le câble se trouve dans la petite ouverture éloignée de la zone du filtre.
- Fixez l'excédent de câble dans les supports.

25. **Uniquement pour les modèles FreshJet FJX4233EEH/FJX4333E(EH)/FJX7333IHP/FJX7337IHP/FJX7457IHP** : Branchez le câble de communication.

- Tirez légèrement sur le filtre afin de créer un espace pour le câble de communication (4).
- Faites passer le câble de communication dans l'espace et repérez le fil dans l'ouverture.
- Branchez le connecteur de communication à 4 broches dans la prise située sur le côté de l'écran de l'ADB. Assurez-vous que le câble se trouve dans la petite ouverture éloignée de la zone du filtre.
- Fixez l'excédent de câble dans les supports.

### Installation de l'ADB

26. Regroupez les sections de gaine et placez-les contre l'épaisseur du toit : Assurez-vous que la hauteur de la gaine correspond à la hauteur du toit ou utilisez le tableau comme guide.

fig. 14 à la page 6

Épaisseur du toit	Nombre de sections de gaine
25 ... 35 mm	1
35 ... 45 mm	2

Épaisseur du toit	Nombre de sections de gaine
45 ... 55 mm	3
55 ... 60 mm	4



**Remarque** Des sections de gaine supplémentaires peuvent être achetées pour les toits plus épais.

27 Fixer le nombre de sections de gaine requis à l'ADB.

28 Fixez le caisson de distribution d'air (ADB) au plafond à travers l'unité de toit à l'aide des 4 vis fournies. Serrez les vis avec une clé dynamométrique à un couple de serrage de  $2.5 \text{ Nm} \pm 0.3 \text{ Nm}$ .

fig. 15 à la page 7

29 Réintroduisez complètement le filtre.

fig. 16 à la page 7

30 Fixez le cache central sur l'ADB.

fig. 17 à la page 8

31. Contactez le fabricant du véhicule pour savoir si le changement de hauteur du véhicule dû à l'installation du climatiseur de toit doit être agréé et consigné dans les documents du véhicule :

- FreshJet FJX4233, FreshJet FJX4333, FreshJet FJX7333 : Augmentation de la hauteur 225 mm
- FreshJet FJX7337 : Augmentation de la hauteur 240 mm
- FreshJet FJX7457 : Augmentation de la hauteur 283 mm

Le montage est maintenant terminé.

Branchez le climatiseur de toit à l'alimentation et vérifiez s'il fonctionne.

## 11 Schémas de raccordement

### FJX4233M

fig. 18 à la page 8

### FJX4233E, FJX4333E(EH), FJX7333IHP

fig. 19 à la page 9

### FJX7337IHP, FJX7457IHP

fig. 20 à la page 9

### Caisson de distribution d'air (ADB)

fig. 21 à la page 10

## 12 Mise au rebut



Dans la mesure du possible, veuillez éliminer les emballages dans les conteneurs de déchets recyclables prévus à cet effet. Pour éliminer définitivement le produit, contactez le centre de recyclage le plus proche ou votre revendeur spécialisé afin de vous informer sur les dispositions relatives au retraitement des déchets.






Protégez l'environnement ! Les piles et les batteries usagées ne sont pas des déchets ménagers. Rapportez les piles défectueuses ou les batteries usagées à votre revendeur ou à un centre de collecte.


## 13 Caractéristiques techniques

Contient des gaz à effet de serre fluorés. Équipement hermétique.

	<b>FreshJet FJX4233M</b>
Puissance frigorifique selon ISO 5151 :	1500 W
Tension d'entrée CA :	220 V ... 240 V / 50 Hz
Courant nominal refroidissement :	< 3.3 A
Fusible requis :	4 A
Plage de température de fonctionnement :	- 2 °C ... 52 °C
Fluide frigorigène :	R410a
Quantité de fluide frigorigène :	380 g
Équivalent CO <sub>2</sub> :	0.793 t
Potentiel d'effet de serre (GWP) :	2088
Classe de protection (unité de toit) :	IPX4
Niveau de bruit (réglage de ventilateur le plus élevé)	< 70 dB(A)
Longueur max. recommandée du véhicule (avec parois isolées) :	< 5 m
Dimensions L x l x H :	fig. <b>22</b>
Poids :	< 30 kg

	FreshJet FJX4233M		
Contrôle/certification :			
	FreshJet FJX4233EEH	FreshJet FJX4333EEH	FreshJet FJX4333E
Puissance frigorifique selon ISO 5151 :	1700 W	2200 W	2200 W
Puissance calorifique selon la norme ISO 5151 :	800 W	1000 W	–
Tension d'entrée CA :	220 V ... 240 V / 50 Hz		
Courant nominal refroidissement :	3.6 A	4.8 A	4.8 A
Courant nominal chauffage :	< 5.2 A	< 5.2 A	–
Fusible requis :	4 A	5 A	6 A
Plage de température de fonctionnement :	– 2 °C ... 52 °C		
Fluide frigorigène :	R32		
Quantité de fluide frigorigène :	320 g	360 g	360 g
Équivalent CO <sub>2</sub> :	0.216 t	0.243 t	0.243 t
Potentiel d'effet de serre (GWP) :	675		
Classe de protection (unité de toit) :	IPX4		
Niveau de bruit (réglage de ventilateur le plus élevé)	< 70 dB(A)		
Longueur max. recommandée du véhicule (avec parois isolées) :	< 6 m	< 7 m	< 7 m
Dimensions L x l x H :	fig.  23		
Poids :	< 30 kg	< 30 kg	< 30 kg
Contrôle/certification :			



	Freshjet FJX7333IHP	Freshjet FJX7337IHP	Freshjet FJX7457IHP
Puissance frigorifique selon ISO 5151 :	2200 W	3000 W	3500 W
Puissance calorifique selon la norme ISO 5151 :	2000 W	2500 W	3000 W
Tension d'entrée CA :	220 V ... 240 V / 50 Hz ... 60 Hz	220 V ... 240 V / 50 Hz ... 60 Hz	220 V ... 240 V / 50 Hz ... 60 Hz
Courant nominal refroidissement :	< 7.5 A	< 7.5 A	< 7.5 A
Courant nominal chauffage :	< 6.1 A	< 6.1 A	< 6.1 A
Fusible requis :	6 A	6 A	6 A
Plage de température de fonctionnement :	- 2 °C ... 52 °C	- 2 °C ... 52 °C	- 2 °C ... 52 °C
Fluide frigorigène :	R32	R32	R32
Quantité de fluide frigorigène :	420 g	480 g	650 g
Équivalent CO <sub>2</sub> :	0.2835 t	0.3240 t	0.43875 t
Potentiel d'effet de serre (GWP) :		675	
Classe de protection (unité de toit) :		IPX4	
Niveau de bruit (réglage de ventilateur le plus élevé)		< 70 dB(A)	
Longueur max. recommandée du véhicule (avec parois isolées) :	< 7 m	< 7 m	> 8 m
Dimensions L x l x H :	fig. <b>23</b>	fig. <b>24</b>	fig. <b>25</b>
Poids :	< 30 kg	< 35 kg	< 40 kg
Contrôle/certification :			

## Spanish

1	Important notes.....	48
2	Explicación de los símbolos.....	48
3	Personal al que vadirigido el manual.....	49
4	Indicaciones de seguridad.....	49
5	Volumen de entrega.....	50
6	Accesorios.....	51
7	Uso previsto.....	51
8	Explicación de los símbolos del aparato.....	52
9	Límites y condiciones técnicas.....	52
10	Instalación.....	52
11	Esquemas de conexiones.....	56
12	Gestión de residuos.....	57
13	Datos técnicos.....	57

## 1 Important notes

Lea atentamente estas instrucciones y siga las indicaciones, directrices y advertencias incluidas en este manual para asegurarse de que instala, utiliza y mantiene correctamente el producto en todo momento. Estas instrucciones DEBEN conservarse junto con este producto.

Al utilizar el producto, usted confirma que ha leído cuidadosamente todas las instrucciones, directrices y advertencias, y que entiende y acepta cumplir los términos y condiciones aquí establecidos. Usted se compromete a utilizar este producto solo para el propósito y la aplicación previstos y de acuerdo con las instrucciones, directrices y advertencias establecidas en este manual del producto, así como de acuerdo con todas las leyes y reglamentos aplicables. La no lectura y observación de las instrucciones y advertencias aquí expuestas puede causarles lesiones a usted o a terceros, daños en el producto o daños en otras propiedades cercanas. Este manual del producto, incluyendo las instrucciones, directrices y advertencias, y la documentación relacionada, pueden estar sujetos a cambios y actualizaciones. Para obtener información actualizada sobre el producto, visite la página [documents.dometic.com](http://documents.dometic.com).

## 2 Explicación de los símbolos



**¡PELIGRO!** Indica una situación peligrosa que, de no evitarse, ocasionará la muerte o lesiones graves.



**¡ADVERTENCIA!** Indica una situación peligrosa que, de no evitarse, ocasionará la muerte o lesiones graves.



**¡ATENCIÓN!** Indica una situación peligrosa que, de no evitarse, puede ocasionar o lesiones moderadas o leves.



**¡AVISO!** Indica una situación peligrosa que, de no evitarse, puede ocasionar o lesiones moderadas o leves.



**Nota** Información complementaria para el manejo del producto.

### 3 Personal al que vadirigido el manual



El suministro de energía eléctrica debe ser conectado por un electricista cualificado que tenga capacidad demostrada y conocimientos relacionados con la construcción y el funcionamiento de equipos e instalaciones eléctricas, y que haya recibido formación en materia de seguridad para identificar y evitar los peligros asociados.



La instalación mecánica debe ser realizada por una persona cualificada que conozca los componentes del equipo, su funcionamiento y los peligros que conlleva.

### 4 Indicaciones de seguridad



**¡ADVERTENCIA! El incumplimiento de estas advertencias podría acarrear la muerte o lesiones graves.**

- La reparación del aparato solo podrá ser llevada a cabo por personal especializado y familiarizado con los riesgos y normas pertinentes. Las reparaciones realizadas incorrectamente pueden generar situaciones de considerable peligro. En caso de necesitar una reparación, póngase en contacto con el centro de atención al cliente de su país (véase [dometic.com/dealer](http://dometic.com/dealer)).
- El aparato debe instalarse de acuerdo con las normativas nacionales de instalaciones eléctricas y mecánicas.
- **Los aparatos eléctricos no son juguetes.** Los niños no tienen capacidad de percibir los peligros que representan los aparatos eléctricos. No deje que los niños usen aparatos eléctricos sin estar bajo su vigilancia.
- Las personas que, debido a discapacidades físicas, sensoriales o mentales, o que por falta de experiencia y conocimientos no estén en condiciones de manejar el equipo de forma segura, no deben utilizarlo sin la vigilancia o las indicaciones de una persona responsable.
- En caso de incendio, **no** abra la tapa superior del aparato. Utilice agentes autorizados para la extinción del fuego. No utilice agua para extinguir el fuego.
- El aparato debe almacenarse en un espacio donde no haya llamas abiertas (como un aparato de gas en funcionamiento, por ejemplo) ni fuentes de ignición (como un calentador eléctrico en funcionamiento).
- El aparato debe almacenarse horizontalmente en un lugar seco, ventilado y cubierto.
- No pefore ni queme el aparato.
- Tenga en cuenta que los refrigerantes pueden no tener olor.
- El equipo de aire acondicionado de techo debe instalarse en un vehículo con una superficie de suelo superior a 4 m<sup>2</sup>.



**¡ATENCIÓN! El incumplimiento de estas precauciones podría acarrear lesiones moderadas o leves.**

- Utilice el aparato solamente si tiene la seguridad de que la carcasa y los cables no están dañados.
- No utilice el aparato cerca de fluidos inflamables ni en recintos cerrados.
- Asegúrese que no haya objetos inflamables situados o instalados cerca de la salida de aire. Debe mantenerse una distancia mínima de 50 cm.
- No acceda a las salidas de aire ni introduzca objetos extraños en el equipo.
- Utilice siempre gafas de seguridad y guantes de protección.



**¡AVISO! Peligro de daños**

- El aparato funciona de forma óptima a 1020 mbar.
- El aparato debe situarse de tal manera que se eviten posibles daños mecánicos.
- Antes de la instalación, compruebe si el montaje podría provocar daños en componentes del vehículo (como lámparas, armarios o puertas). Es posible que el fabricante del vehículo ya haya previsto puntos en los que se pueda practicar la abertura para montar el aparato sin riesgo de debilitar la estructura ni de cortar ningún cable de alimentación.
- Antes de la instalación, consulte al fabricante del vehículo si la estructura del mismo está diseñada para soportar el peso estático y las cargas del equipo de aire acondicionado de techo cuando el vehículo está en movimiento.
- Selle todas las aberturas realizadas al instalar el equipo de aire acondicionado de techo.
- Elija como lugar de montaje una zona llana y suficientemente nivelada en el centro del techo del vehículo entre dos perfiles longitudinales.
- La inclinación del techo en la superficie de instalación no debe superar los 10°.
- Asegúrese de que en el vehículo no haya ningún objeto que pudiera obstaculizar la fijación de la caja de distribución de aire ni la afluencia de aire refrigerado a través de las boquillas distribuidoras orientables.
- No realice modificaciones en el aparato.
- No introduzca su vehículo en túneles de lavado automático si el equipo está instalado.
- Si se producen fallos en el circuito de refrigerante, un taller especializado deberá inspeccionar el sistema y repararlo debidamente.
- No deje que el refrigerante entre en contacto con el aire.
- Pregunte al fabricante del vehículo si la altura registrada en la documentación del mismo debe ser modificada al instalar el equipo de aire acondicionado de techo.

## 5 Volumen de entrega

N.º en fig. <b>1</b> , fig. <b>2</b>	Cantidad	Descripción
1	1	Unidad superior del techo
2	1	Marco del techo
3	1	Caja de distribución de aire (ADB)
4	1	Cubierta central de la ADB

N.º en fig. <b>1</b> , fig. <b>2</b>	Cantidad	Descripción
5	4	Secciones del conducto
6	3	Abrazaderas para cables
7	4	Pernos de fijación
8	1	Tapa de la caja
9	1	<b>Solo FreshJet FJX4233EEH/FJX4333E(EH)/FJX7333IHP/ FJX7337IHP/FJX7457IHP:Control remoto</b>

## 6 Accesorios

Disponibles como artículos opcionales (no incluidos en el volumen de entrega):

Descripción	N.º de art.
Secciones de los conductos de extensión (cada sección cubre 10 mm adicionales)	4450017931
Pernos de fijación largos M6 x 160 mm (para techos con un grosor de 60 ... 120 mm)	4450012023
Purificador de aire	4450029486
Calentador eléctrico	4450029487
Luz ambiental ADB	4450029488
Filtros para FreshJet FJX4233M	4450024007 4450024008
Filtros para FreshJet FJX4233EEH/FJX4333E(EH)/FJX7333IHP/FJX7337IHP/FJX7457IHP	4450025683

## 7 Uso previsto

El equipo de aire acondicionado de techo FreshJet FJX está diseñado exclusivamente para ser instalado en el techo de una caravana o autocaravana con el objetivo de proporcionar refrigeración.

El equipo de aire acondicionado de techo **no** es adecuado para trenes, casas o apartamentos. El equipo de aire acondicionado de techo **no** es adecuado para ser instalado en máquinas de construcción, máquinas agrícolas o equipos similares.

Este producto solo es apto para el uso previsto y la aplicación de acuerdo con estas instrucciones.

Este manual proporciona la información necesaria para la correcta instalación y/o funcionamiento del producto. Una instalación deficiente y/o un uso y mantenimiento inadecuados conllevan un rendimiento insatisfactorio y posibles fallos.

El fabricante no se hace responsable de ninguna lesión o daño en el producto ocasionados por:

- Un montaje o conexión incorrectos, incluido un exceso de tensión

- Un mantenimiento incorrecto o el uso de piezas de repuesto distintas de las originales proporcionadas por el fabricante
- Modificaciones realizadas en el producto sin el expreso consentimiento del fabricante
- Uso con una finalidad distinta de la descrita en las instrucciones

Dometic se reserva el derecho de cambiar la apariencia y las especificaciones del producto.

## 8 Explicación de los símbolos del aparato



¡Advertencia! Material de baja velocidad de combustión.



Lea las instrucciones de uso.



Lea el manual de servicio.

## 9 Límites y condiciones técnicas

El equipo de aire acondicionado de techo está diseñado para vehículos con techos con un grosor de 25 mm ... 60 mm. El funcionamiento del equipo de aire acondicionado de techo está garantizado para temperaturas ambiente de entre  $-2^{\circ}\text{C}$  ...  $52^{\circ}\text{C}$ . El equipo de aire acondicionado de techo está diseñado para ser instalado a  $\pm 10^{\circ}$  del plano horizontal. El rendimiento del equipo de aire acondicionado de techo puede verse reducido cuando se expone a vibraciones fuertes, como las causadas por un mal estado de la carretera.

## 10 Instalación



### ¡PELIGRO! Riesgo de electrocución

- El suministro de energía eléctrica debe ser conectado por un electricista cualificado que tenga capacidad demostrada y conocimientos relacionados con la construcción y el funcionamiento de equipos e instalaciones eléctricas, y que haya recibido formación en materia de seguridad para identificar y evitar los peligros asociados.
- Desconecte siempre todas las alimentaciones de tensión mientras esté trabajando en el equipo de aire acondicionado de techo.
- Asegúrese de que el aparato no se pueda volver a conectar.



### ¡ADVERTENCIA! Riesgo de electrocución

- El aparato debe instalarse cumpliendo las normativas nacionales sobre cableado.
- Es necesario añadir los siguientes elementos en la instalación eléctrica de acuerdo con las normas de cableado: un dispositivo de corte omnipolar con distancias de seguridad de 3 mm en todos los polos; en caso de tener una corriente de fuga que pueda superar los 10 mA, un dispositivo diferencial residual (DDR) con una corriente de funcionamiento residual nominal que no supere los 30 mA; una desconexión.
- Si el aparato sustituye una ventanilla o trampilla con una función de ventilación forzada de seguridad, es necesario añadir un dispositivo de ventilación de seguridad adicional (por ejemplo, un ventilador de tipo seta o similar). En caso de duda, consulte al fabricante del vehículo.
- Después de instalar el equipo de aire acondicionado de techo, debe haber cerca del mismo una chimenea de escape que se eleve al menos 10 cm por encima de él. Si es necesario, prolongue la chimenea de escape. Consulte las instrucciones del fabricante de la calefacción.



### ¡ATENCIÓN! Peligro de sufrir lesiones

- Un montaje incorrecto del equipo de aire acondicionado de techo puede provocar daños irreparables en el aparato y poner en peligro la seguridad del usuario.
- Si necesita arrastrar o levantar el equipo, hágalo siempre con la ayuda de otra persona.
- Antes de instalar el aparato (al realizar perforaciones, al atornillar, etc.) compruebe la ubicación del cableado existente en la zona de montaje, tanto los propios cables como otros componentes, sobre todo los que no están a la vista.
- Conecte y tienda los cables de tal forma que no se pueda tropezar con ellos ni puedan resultar dañados.
- Utilice siempre gafas de seguridad y guantes de protección.



### ¡AVISO! Peligro de daños

- El aparato es un sistema estanco con un circuito de refrigeración cerrado. No lo abra ni lo manipule.
- Utilice conductos para cables si va a tender cables por paredes con bordes afilados.
- No coloque cables sueltos ni muy doblados sobre materiales conductores de electricidad (metales).
- No someta los cables a tracción.
- Compruebe que el cableado no se vea afectado por rozamientos, corrosión, presión excesiva, vibraciones, bordes afilados u otros efectos ambientales adversos. Al realizar esta comprobación, tenga en cuenta también los efectos del envejecimiento o la vibración continua causada por compresores o ventiladores.
- Preste atención a las relaciones estáticas del techo del vehículo. El techo del vehículo debe poder soportar el peso del equipo de aire acondicionado sin hundirse ni deformarse. En caso de duda, consulte al fabricante del vehículo.



### Nota

- Encontrará las especificaciones del aparato en Datos técnicos y en las siguientes etiquetas de tipo:
  - Etiqueta de tipo de la unidad superior del techo fig. **3**
  - Etiqueta de tipo de la ADB fig. **4**



Find additional information on roof air conditioners in the operating manual, such as the technical description or the controls, see [documents.dometic.com/?object\\_id=75095](https://documents.dometic.com/?object_id=75095).



fig. 3 en la página 2 fig. 4 en la página 2

1. Elija cómo desea instalar el equipo de aire acondicionado de techo:
  - Practicando una abertura nueva. En este caso la abertura se debe reforzar con un marco apropiado.
  - Utilizando una abertura existente en el vehículo, como una escotilla de techo, o sustituyendo un antiguo equipo de aire acondicionado de techo.

### Practicar una nueva abertura

2. Elija una zona en el centro del techo situada entre dos perfiles longitudinales.

fig. 5 en la página 2

3. Marque la ubicación y el tamaño de la abertura (400 × 400 mm).
4. Perfore las esquinas (A).



**¡AVISO! Peligro de daños** Asegúrese de que no haya ningún cable eléctrico dañado. Compruebe la ubicación de los cables eléctricos.

fig. 6 en la página 3

5. Recorte cuidadosamente la abertura en el techo con una sierra de calar o una herramienta similar (B).
6. Compruebe si es necesario reforzar la abertura practicada en el techo.
7. En caso necesario, retire el aislamiento de espuma en función de la anchura de sus guías de refuerzo (no incluidas en el volumen de entrega) (A).

fig. 7 en la página 3

8. Encaje las guías de refuerzo (B).

### Instalación en una abertura existente

9. Retire todos los tornillos y fijaciones de la escotilla de techo o del equipo de aire acondicionado existentes.

fig. 8 en la página 3

10. Saque la escotilla o el equipo de aire acondicionado de techo.
11. Retire el material de sellado alrededor de la abertura utilizando un rascador o una herramienta similar.

fig. 9 en la página 3

### Tendido de cables de conexión

12. Compruebe que la tensión indicada en la etiqueta de tipo del equipo de aire acondicionado de techo sea la misma que la de la fuente de alimentación. El equipo de aire acondicionado de techo debe conectarse a un circuito eléctrico capaz de suministrar la corriente necesaria (Datos técnicos).
13. Asegúrese de que la red de alimentación tiene un interruptor diferencial residual (< 30 mA). Si no hay interruptor diferencial residual, instale uno.
14. Instale un interruptor omnipolar con una distancia de apertura de los contactos de al menos 3 mm en el lado de la instalación.



15. Seleccione la sección del cable de alimentación correspondiente a la longitud:

- Longitud < 7.5 m: 1.5 mm<sup>2</sup>
- Longitud > 7.5 m: 2.5 mm<sup>2</sup>

16. Practique una abertura en un lado para pasar el cable de alimentación.

fig. **10** en la página 3

17. Introduzca el cable de alimentación en el interior del vehículo a través de la abertura.

### Instalación de la unidad superior del techo

18. Selle en derredor del marco del techo con un compuesto sellador de butilo flexible que no se endurezca (por ejemplo, SikaLastomer-710, Selleys Butyl Mastic, masilla selladora de butilo Bostik o productos similares). Siga también las indicaciones del fabricante del sellador.

fig. **11** en la página 4

19. Oriente el marco del techo en función del tamaño de la abertura.

20. Coloque el marco en la abertura del techo.

fig. **12** en la página 4

21. Suba la unidad superior al techo del vehículo. Tenga en cuenta el sentido de la marcha.

22. Coloque la unidad superior del techo en el marco del techo y alinéela con la ranura del marco. Para alinear la unidad con la ranura del marco del techo utilice las esquinas frontales del marco.

### Conexión eléctrica

23. Conecte el cable de alimentación eléctrica.

fig. **13** en la página 5

- a) Conecte los cables **(1)** a un conector **(2)**.
- b) Conecte el equipo de aire acondicionado de techo a la fuente de alimentación.
- c) Conecte el cable de conexión a tierra al sistema de toma de tierra del vehículo.

24. **Solo FreshJet FJX4233M:** Conecte el cable entre la unidad externa y el difusor de la caja de aire.

- a) Tire ligeramente del filtro para originar un hueco destinado al cable de comunicación **(3)**.
- b) Pase el cable de a través del hueco y colóquelo en la abertura.
- c) Conecte la clavija de comunicación de 6 pines en la caja de enchufe del lado de la pantalla en la ADB. Asegúrese de que el cable esté colocado en la pequeña abertura lejos de la zona del filtro.
- d) Asegure el cable sobrante en los soportes.

25. **Solo FreshJet FJX4233EEH/FJX4333E(EH)/FJX7333IHP/FJX7337IHP/FJX7457IHP:** Conecte el cable de comunicación.

- a) Tire ligeramente del filtro para originar un hueco destinado al cable de comunicación **(4)**.
- b) Pase el cable de comunicación a través del hueco y coloque el cable en la abertura.
- c) Conecte la clavija de comunicación de 4 pines en la caja de enchufe del lado de la pantalla en la ADB. Asegúrese de que el cable esté colocado en la pequeña abertura lejos de la zona del filtro.
- d) Asegure el cable sobrante en los soportes.

## Instalación de la ADB

26 Apile las secciones del conducto de manera que cubran todo el grosor del techo. Asegúrese de que la altura del conducto coincide con la altura del techo o utilice la siguiente tabla como referencia.

fig. 14 en la página 6

Grosor de techo	Número de secciones del conducto
25 ... 35 mm	1
35 ... 45 mm	2
45 ... 55 mm	3
55 ... 60 mm	4



**Nota** Se pueden comprar secciones de conducto adicionales para techos más gruesos.

27 Añada a la ADB el número de secciones de conducto que se requiera.

28 Fije la ADB al techo a través de la unidad superior del techo con los 4 pernos suministrados. Apriete los tornillos con una llave dinamométrica aplicando un par de apriete de 2.5 Nm ± 0.3 Nm.

fig. 15 en la página 7

29 Vuelva a introducir el filtro completamente.

fig. 16 en la página 7

30 Enganche la cubierta central a la ADB.

fig. 17 en la página 8

31 Pregunte al fabricante del vehículo si es necesario realizar una inspección técnica tras instalar un equipo de aire acondicionado de techo y cambiar los datos de altura registrados en la documentación del vehículo:

- FreshJet FJX4233, FreshJet FJX4333, FreshJet FJX7333: Altura añadida 225 mm
- FreshJet FJX7337: Altura añadida 240 mm
- FreshJet FJX7457: Altura añadida 283 mm

El montaje está finalizado.

Conecte la fuente de alimentación y compruebe si el equipo de aire acondicionado de techo funciona.

## 11 Esquemas de conexiones

### FJX4233M

fig. 18 en la página 8

### FJX4233E, FJX4333E(EH), FJX7333IHP

fig. 19 en la página 9

### FJX7337IHP, FJX7457IHP

fig. 20 en la página 9

## ADB

fig. 21 en la página 10

## 12 Gestión de residuos



Si es posible, deseche el material de embalaje en los contenedores de reciclaje adecuados. Consultar con un punto limpio o con un distribuidor especializado para obtener más información sobre cómo eliminar el producto de acuerdo con las normativas aplicables de eliminación.






¡Proteja el medio ambiente! Las baterías y pilas no son basura doméstica. Entregue las baterías defectuosas o usadas en un establecimiento especializado o deposítelas en un punto de recogida de residuos.

## 13 Datos técnicos

Contiene gases de efecto invernadero fluorados. Equipo herméticamente sellado.

	<b>FreshJet FJX4233M</b>
Potencia de refrigeración de conformidad con ISO 5151:	1500 W
Tensión de entrada de CA:	220 V ... 240 V / 50 Hz
Corriente nominal de refrigeración:	< 3.3 A
Fusible necesario:	4 A
Rango de temperatura de funcionamiento:	- 2 °C ... 52 °C
Refrigerante:	R410a
Cantidad de refrigerante:	380 g
Equivalente de CO <sub>2</sub> :	0.793 t
Índice GWP (Global warming potential):	2088
Clase de protección (unidad superior de techo):	IPX4
Nivel de ruido (máximo nivel del ventilador)	< 70 dB(A)
Longitud máxima recomendada del vehículo (con paredes aisladas):	< 5 m
Dimensiones L x An x Al:	fig. 22

	FreshJet FJX4233M		
Peso:	< 30 kg		
Inspección/certificados:			
	FreshJet FJX4233EEH	FreshJet FJX4333EEH	FreshJet FJX4333E
Potencia de refrigeración de conformidad con ISO 5151:	1700 W	2200 W	2200 W
Potencia de calefacción de conformidad con ISO 5151:	800 W	1000 W	-
Tensión de entrada de CA:	220 V ... 240 V / 50 Hz		
Corriente nominal de refrigeración:	3.6 A	4.8 A	4.8 A
Corriente nominal de calefacción:	< 5.2 A	< 5.2 A	-
Fusible necesario:	4 A	5 A	6 A
Rango de temperatura de funcionamiento:	- 2 °C ... 52 °C		
Refrigerante:	R32		
Cantidad de refrigerante:	320 g	360 g	360 g
Equivalente de CO <sub>2</sub> :	0.216 t	0.243 t	0.243 t
Índice GWP (Global warming potential):	675		
Clase de protección (unidad superior de techo):	IPX4		
Nivel de ruido (máximo nivel del ventilador)	< 70 dB(A)		
Longitud máxima recomendada del vehículo (con paredes aisladas):	< 6 m	< 7 m	< 7 m
Dimensiones L x An x Al:	fig. 23		
Peso:	< 30 kg	< 30 kg	< 30 kg
Inspección/certificados:			

	Freshjet FJX7333IHP	Freshjet FJX7337IHP	Freshjet FJX7457IHP
Potencia de refrigeración de conformidad con ISO 5151:	2200 W	3000 W	3500 W
Potencia de calefacción de conformidad con ISO 5151:	2000 W	2500 W	3000 W
Tensión de entrada de CA:	220 V ... 240 V / 50 Hz ... 60 Hz	220 V ... 240 V / 50 Hz ... 60 Hz	220 V ... 240 V / 50 Hz ... 60 Hz
Corriente nominal de refrigeración:	< 7.5 A	< 7.5 A	< 7.5 A
Corriente nominal de calefacción:	< 6.1 A	< 6.1 A	< 6.1 A
Fusible necesario:	6 A	6 A	6 A
Rango de temperatura de funcionamiento:	- 2 °C ... 52 °C	- 2 °C ... 52 °C	- 2 °C ... 52 °C
Refrigerante:	R32	R32	R32
Cantidad de refrigerante:	420 g	480 g	650 g
Equivalente de CO <sub>2</sub> :	0.2835 t	0.3240 t	0.43875 t
Índice GWP (Global warming potential):		675	
Clase de protección (unidad superior de techo):		IPX4	
Nivel de ruido (máximo nivel del ventilador)		< 70 dB(A)	
Longitud máxima recomendada del vehículo (con paredes aisladas):	< 7 m	< 7 m	> 8 m
Dimensiones L x An x Al:	fig. 23	fig. 24	fig. 25
Peso:	< 30 kg	< 35 kg	< 40 kg
Inspección/certificados:			

## Portuguese

1	Important notes.....	60
2	Explicação dos símbolos.....	60
3	Destinatários.....	61
4	Indicações de segurança.....	61
5	Material fornecido.....	62
6	Acessórios.....	63
7	Utilização adequada.....	63
8	Explicação dos símbolos no aparelho.....	64
9	Limites e condições técnicas.....	64
10	Montagem.....	64
11	Esquemas de ligações.....	68
12	Eliminação.....	69
13	Dados técnicos.....	69

## 1 Important notes

Leia atentamente as presentes instruções e siga todas as instruções, orientações e avisos incluídos neste manual, de modo a garantir a correta instalação, utilização e manutenção do produto. É OBRIGATÓRIO manter estas instruções junto com o produto.

Ao utilizar o produto, está a confirmar que leu atentamente todas as instruções, orientações e avisos, e que compreende e aceita cumprir os termos e condições estabelecidos no presente manual. Aceita utilizar este produto exclusivamente para o fim e a aplicação a que se destina e de acordo com as instruções, orientações e avisos estabelecidos neste manual, assim como de acordo com todas as leis e regulamentos aplicáveis. Caso não leia nem siga as instruções e os avisos aqui estabelecidos, poderá sofrer ferimentos pessoais ou causar ferimentos a terceiros e o produto ou outros materiais nas proximidades poderão ficar danificados. Este manual do produto, incluindo as instruções, orientações e avisos, bem como a documentação relacionada, podem estar sujeitos a alterações e atualizações. Para consultar as informações atualizadas do produto, visite [documents.dometic.com](http://documents.dometic.com).

## 2 Explicação dos símbolos



**PERIGO!** indica uma situação perigosa que, se não for evitada, resultará em morte ou ferimentos graves.



**AVISO!** indica uma situação perigosa que, se não for evitada, resultará em morte ou ferimentos graves.



**PRECAUÇÃO!** Indica uma situação perigosa que, se não for evitada, pode causar ferimentos ligeiros ou moderados.



**NOTA!** Indica uma situação perigosa que, se não for evitada, pode causar ferimentos ligeiros ou moderados.



**Observação** Informações complementares para a utilização do produto.

### 3 Destinatários



A ligação elétrica tem que ser efetuada por um eletricitista especializado que possua os conhecimentos e as competências necessários para a construção e operação de instalações e equipamentos elétricos e que tenha formação em segurança relativamente à identificação e prevenção dos perigos envolvidos.



A instalação mecânica tem de ser realizada por uma pessoa com qualificação adequada e que esteja familiarizada com a construção e a operação do equipamento e com os perigos inerentes.

### 4 Indicações de segurança



**AVISO! O incumprimento destes avisos poderá resultar em morte ou ferimentos graves.**

- O aparelho só pode ser reparado por técnicos familiarizados com os perigos inerentes e com as normas em vigor. Reparações inadequadas podem originar perigos graves. Em caso de reparação, entre em contacto com o centro de assistência técnica do seu país (consulte [dometic.com/dealer](http://dometic.com/dealer)).
- O aparelho deve ser instalado em conformidade com os regulamentos nacionais aplicáveis de instalação elétrica e mecânica.
- **Os aparelhos elétricos não são um brinquedo.** As crianças não conseguem avaliar adequadamente o perigo decorrentes dos equipamentos elétricos. Não permita que as crianças utilizem equipamentos elétricos sem supervisão.
- As pessoas que não estão aptas a utilizar o aparelho de modo seguro devido a incapacidade física, sensorial ou mental ou devido à sua inexperiência, não devem utilizar o aparelho sem a supervisão ou as instruções de uma pessoa responsável.
- Em caso de incêndio, **não** retire a tampa superior do aparelho. Utilize antes os agentes de extinção permitidos. Não utilize água para apagar incêndios.
- O aparelho deve ser armazenado numa divisão sem chamas sem proteção (por exemplo, um aparelho a gás) nem fontes de ignição em funcionamento contínuo (por exemplo, um aquecedor elétrico).
- O aparelho deve ser armazenado em posição horizontal num local seco, ventilado e abrigado.
- Não fure nem queime o aparelho.
- Lembre-se de que os refrigerantes podem ser inodoros.
- O sistema de ar condicionado de tejadilho deve ser instalado num veículo com uma área útil superior a 4 m<sup>2</sup>.



**PRECAUÇÃO! O incumprimento destas advertências poderá resultar em ferimentos ligeiros ou moderados.**

- Utilize o aparelho apenas se tiver a certeza de que a caixa e os cabos não estão danificados.
- Não coloque o aparelho próximo de líquidos inflamáveis nem em espaços fechados.
- Certifique-se de que não há objetos inflamáveis armazenados ou instalados nas proximidades da saída de ar. Deve ser mantida uma distância de, pelo menos, 50 cm.
- Não coloque as mãos nas saídas de ar e não insira objetos estranhos no aparelho.
- Utilize sempre óculos e luvas de proteção.



### NOTA! Risco de danos

- O aparelho atinge o seu funcionamento ótimo com 1020 mbar.
- O aparelho deve ser armazenado de modo a evitar danos mecânicos.
- Antes de instalar, verifique se a instalação do aparelho pode danificar quaisquer componentes do veículo (por exemplo, lâmpadas, armários, portas). É provável que o fabricante do veículo já tenha fornecido pontos nos quais pode ser realizada a abertura para a montagem do aparelho sem o risco de enfraquecer a estrutura ou de corte dos cabos elétricos.
- Antes da instalação, esclareça junto do fabricante automóvel se a estrutura foi concebida para o peso estático e as cargas do sistema de ar condicionado de tejadilho com o veículo em movimento.
- Ao instalar o sistema de ar condicionado de tejadilho, vede todas as aberturas feitas anteriormente.
- Selecione como lugar de montagem uma zona plana e suficientemente lisa no centro do tejadilho do veículo, entre dois perfis longitudinais.
- A inclinação do tejadilho na superfície de montagem não deve ser superior a 10 °.
- Assegure que não existe nenhum objeto no interior do veículo que impeça a fixação da caixa de distribuição de ar e a saída de ar refrigerado através dos bocais de distribuição de ar basculáveis.
- Não deve executar quaisquer alterações ou modificações no aparelho!
- Nunca lave o veículo em sistemas de lavagem automáticos com o aparelho montado.
- Se ocorrerem falhas no circuito de refrigeração, o sistema deve ser verificado e devidamente reparado por uma empresa especializada.
- O agente de refrigeração não pode ser libertado para o ar.
- Esclareça junto do fabricante do veículo se a altura indicada nos documentos do seu veículo tem de ser alterada devido à instalação do sistema de ar condicionado de tejadilho.

## 5 Material fornecido

N.º na fig. <b>1</b> , fig. <b>2</b>	Quantidade	Descrição
1	1	Unidade de tejadilho
2	1	Moldura do tejadilho
3	1	Caixa de distribuição de ar (ADB)
4	1	Tampa do centro da ADB
5	4	Secções de conduta
6	3	Conectores de cabo
7	4	Parafusos de fixação
8	1	Cobertura da caixa
9	1	<b>Apenas FreshJet FJX4233EEH/FJX4333E(EH)/FJX7333IHP/ FJX7337IHP/FJX7457IHP:Controlo remoto</b>



## 6 Acessórios

Disponível como acessório (não incluído no material fornecido):

Descrição	N.º art.
Secções de conduta para extensão (cada secção cobre 10 mm adicionais)	4450017931
Parafusos de fixação mais longos M6 x 160 mm (para espessuras do tejadilho de 60 ... 120 mm)	4450012023
Purificador de ar	4450029486
Aquecedor elétrico	4450029487
Luz ambiente ADB	4450029488
Filtros para FreshJet FJX4233M	4450024007 4450024008
Filtros para FreshJet FJX4233EEH/FJX4333E(EH)/FJX7333IHP/FJX7337IHP/FJX7457IHP	4450025683

## 7 Utilização adequada

O sistema de ar condicionado de tejadilho FreshJet FJX foi concebido exclusivamente para a instalação no tejadilho de uma caravana ou de um veículo de recreio para fornecer refrigeração.

O sistema de ar condicionado de tejadilho **não** é adequado para comboios, casas e apartamentos. O sistema de ar condicionado de tejadilho **não** é adequado para a montagem em máquinas para a construção civil, máquinas agrícolas ou equipamentos de trabalho semelhantes.

Este produto destina-se exclusivamente à aplicação e aos fins pretendidos com base nestas instruções.

Este manual fornece informações necessárias para proceder a uma instalação e/ou a uma operação adequadas do produto. Uma instalação e/ou uma operação ou manutenção incorretas causarão um desempenho insatisfatório e uma possível avaria.

O fabricante não aceita qualquer responsabilidade por danos ou prejuízos no produto resultantes de:

- Montagem ou ligação incorreta, incluindo sobretensões
- Manutenção incorreta ou utilização de peças sobressalentes não originais fornecidas pelo fabricante
- Alterações ao produto sem autorização expressa do fabricante
- Utilização para outras finalidades que não as descritas no presente manual

A Dometic reserva-se o direito de alterar o design e as especificações do produto.

## 8 Explicação dos símbolos no aparelho



Atenção! Material com velocidade de combustão baixa.



Leia o manual de instruções.



Leia o manual de manutenção.

## 9 Limites e condições técnicas

O sistema de ar condicionado de tejadilho está concebido para veículos com tejadilhos com uma espessura de 25 mm ... 60 mm. O funcionamento do sistema de ar condicionado de tejadilho está garantido para temperaturas ambiente entre  $-2^{\circ}\text{C}$  ...  $52^{\circ}\text{C}$ . O sistema de ar condicionado de tejadilho está concebido para ser instalado a  $\pm 10^{\circ}$  do plano horizontal. O desempenho do sistema de ar condicionado de tejadilho pode ser reduzido se o sistema estiver exposto a fortes vibrações causadas, por exemplo, por más condições da estrada.

## 10 Montagem



### **PERIGO! Risco de eletrocussão**

- A ligação elétrica tem que ser efetuada por um eletricista especializado que possua os conhecimentos e as competências necessários para a construção e operação de instalações e equipamentos elétricos e que tenha formação em segurança relativamente à identificação e prevenção dos perigos envolvidos.
- Durante os trabalhos no sistema de ar condicionado de tejadilho, desligue todas as fontes de alimentação.
- Certifique-se de que não é possível ligar novamente o aparelho.



### AVISO! Risco de eletrocussão

- A instalação elétrica do aparelho deve ser efetuada em conformidade com os regulamentos nacionais aplicáveis.
- Os elementos seguintes têm de ser integrados na cablagem fixa, de acordo com as normas de cablagem: Um seccionador omnipolar com distâncias de, pelo menos, 3 mm em todos os polos; no caso de existir uma corrente de fuga que possa exceder 10 mA, um dispositivo de corrente residual (RCD), em caso de uma corrente nominal de funcionamento residual que não exceda 30 mA; uma desconexão.
- Se o aparelho substituir uma janela ou escotilha com uma função de ventilação forçada importante para a segurança, é necessário adicionar um aparelho de ventilação de segurança extra (p. ex., um ventilador de tipo cogumelo ou semelhante). Em caso de dúvida, consulte o fabricante do veículo.
- Depois da instalação do sistema de ar condicionado de tejadilho, uma chaminé de exaustão nas proximidades do sistema de ar condicionado de tejadilho tem de estar pelo menos 10 cm acima do sistema instalado. Se for necessário, prolongar a chaminé de exaustão. Preste atenção às indicações do fabricante do aquecimento.



### PRECAUÇÃO! Perigo de ferimentos

- Uma montagem incorreta do sistema de ar condicionado de tejadilho pode causar danos irreparáveis no aparelho e comprometer a segurança do utilizador.
- Transporte ou eleve o sistema de ar condicionado de tejadilho sempre com a ajuda de outra pessoa.
- Antes da instalação, verifique a localização dos chicotes de cabos existentes, dos cabos e de outros componentes na área de instalação, em especial, dos componentes não visíveis durante a instalação (ao furar ou aparafusar, etc.).
- Fixe os cabos e coloque-os de modo a excluir riscos de tropeções e de danos.
- Utilize sempre os óculos e as luvas de proteção.



### NOTA! Risco de danos

- O aparelho é um sistema estanque com um circuito de refrigeração fechado. Não o abra nem manipule.
- Se os cabos tiverem de ser passados por paredes com arestas afiadas, utilize tubos vazios ou tubos de passar cabos!
- Não coloque os cabos soltos ou dobrados junto de materiais eletrocondutores (metal).
- Não puxe pelos cabos.
- Certifique-se de que os cabos não estarão sujeitos a desgaste, corrosão, pressão excessiva, vibrações, arestas pontiagudas ou outros impactos ambientais negativos. Esta verificação deve igualmente considerar os efeitos do envelhecimento ou da vibração contínua provocados por fontes como compressores ou ventiladores.
- Tenha em atenção a resistência estrutural do tejadilho do veículo. O tejadilho do veículo deve poder suportar o peso do sistema de ar condicionado de tejadilho sem ficar comprimido ou deformado. Em caso de dúvida, consulte o fabricante do veículo.



### Observação

- Encontrará as especificações do aparelho em **Dados técnicos** e nas seguintes placas de características:
- Placa de características da unidade de tejadilhofig. **3**
- Placa de características ADBfig. **4**



Find additional information on roof air conditioners in the operating manual, such as the technical description or the controls, see [documents.dometic.com/?object\\_id=75095](https://documents.dometic.com/?object_id=75095).



fig. 3 na página 2 fig. 4 na página 2

1. Escolha como pretende montar o sistema de ar condicionado de tejadilho:

- Criar uma nova abertura. Neste caso, a abertura deve ser reforçada por uma moldura adequada.
- Utilizar uma abertura já existente no veículo, tal como uma escotilha de tejadilho, ou substituir um sistema de ar condicionado antigo.

### Criar uma nova abertura

2. Selecione uma zona no centro do tejadilho entre dois perfis longitudinais.

fig. 5 na página 2

3. Trace a posição e o tamanho da abertura (400 × 400 mm).

4. Faça os furos nos cantos (A).



**NOTA! Risco de danos** Certifique-se de que nenhum cabo elétrico é danificado. Verifique onde estão localizados os cabos elétricos.

fig. 6 na página 3

5. Recorte cuidadosamente a abertura no tejadilho com uma serra tico-tico ou semelhante (B).

6. Verifique se a abertura no tejadilho tem de ser reforçada.

7. Se necessário, retire a espuma ao longo de toda a largura das guias de reforço (não incluídas no material fornecido) (A).

fig. 7 na página 3

8. Ajuste as guias de reforço (B).

### Montar numa abertura existente

9. Retire todos os parafusos e fixações da escotilha ou do sistema de ar condicionado de tejadilho.

fig. 8 na página 3

10. Remova a escotilha ou o sistema de ar condicionado de tejadilho.

11. Retire a massa de vedação à volta com um raspador ou uma ferramenta semelhante.

fig. 9 na página 3

### Instalar os cabos de ligação

12. Verifique se a especificação de tensão na placa de características do sistema de ar condicionado de tejadilho corresponde à da fonte de alimentação existente. O sistema de ar condicionado de tejadilho tem de ser ligado a um circuito elétrico apto a fornecer a corrente necessária (Dados técnicos).

13. Certifique-se de que a fonte de alimentação está protegida por um disjuntor de tensão residual (< 30 mA). Se não for esse o caso, instale o disjuntor de corrente residual.

14. Do lado da montagem, instale um interruptor onipolar com uma abertura de contacto com, pelo menos, 3 mm de largura.

15. Selecione a secção transversal do cabo da fonte de alimentação de acordo com o comprimento:

- Comprimento < 7.5 m: 1.5 mm<sup>2</sup>
- Comprimento > 7.5 m: 2.5 mm<sup>2</sup>

16. Crie uma abertura num dos lados de forma a passar o cabo da fonte de alimentação.

fig. **10** na página 3

17. Passe o cabo da fonte de alimentação pela abertura até ao interior do veículo.

### Instalar a unidade de tejadilho

18. Vede a área em torno da moldura do tejadilho com um material selante butílico plástico que não endureça (por ex., SikaLastomer-710, mástique butílico Selleys, massa de vedação butílica Bostik EzyCaulk ou produtos semelhantes). Tenha em atenção as instruções do fabricante da massa de vedação.

fig. **11** na página 4

19. Oriente a moldura do tejadilho com base no tamanho da abertura.

20. Ajuste a moldura do tejadilho à abertura do tejadilho.

fig. **12** na página 4

21. Eleve a unidade de tejadilho para cima do tejadilho do veículo. Tenha em conta o sentido de direção da condução.

22. Posicione a unidade de tejadilho na moldura do tejadilho e alinhe-a na ranhura da moldura do tejadilho. Para alinhar a unidade na ranhura da moldura do tejadilho, utilize os cantos na frente da moldura.

### Ligação elétrica

23. Ligue o cabo da fonte de alimentação.

fig. **13** na página 5

- a) Ligue os cabos correspondentes **(1)** a cada um dos conectores de cabo **(2)**.
- b) Ligue o sistema de ar condicionado de tejadilho à fonte de alimentação.
- c) Ligue o cabo de terra à massa do veículo.

24. **Apenas FreshJet FJX4233M:** Ligue o cabo entre a unidade exterior e o difusor da caixa de ar.

- a) Puxe o filtro ligeiramente para fora para criar uma folga para passar o cabo de comunicação **(3)**.
- b) Passe o cabo pela folga e localize o cabo na abertura.
- c) Ligue a ficha de comunicação de 6 pinos à tomada no lado do monitor na ADB. Certifique-se de que o cabo se encontra no interior da pequena abertura, afastado da área de filtro.
- d) Fixe o excesso do cabo nos suportes.

25. **Apenas FreshJet FJX4233EEH/FJX4333E(EH)/FJX7333IHP/FJX7337IHP/FJX7457IHP:** Ligue o cabo de comunicação.

- a) Puxe o filtro ligeiramente para fora para criar uma folga para passar o cabo de comunicação **(4)**.
- b) Passe o cabo de comunicação pela folga e localize o cabo na abertura.
- c) Ligue a ficha de comunicação de 4 pinos à tomada no lado do monitor na ADB. Certifique-se de que o cabo se encontra no interior da pequena abertura, afastado da área de filtro.
- d) Fixe o excesso do cabo nos suportes.

## Instalar a ADB

26 Empilhe as secções de conduta e compare com a espessura do tejadilho: certifique-se de que a altura da conduta corresponde à altura do tejadilho ou utilize a tabela como guia.

fig. 14 na página 6

Espessura do tejadilho	Número de secções de conduta:
25 ... 35 mm	1
35 ... 45 mm	2
45 ... 55 mm	3
55 ... 60 mm	4



**Observação** É possível adquirir secções de conduta adicionais para tejadilhos mais espessos.

27 Fixe as secções de conduta necessárias à ADB.

28 Fixe a ADB ao teto através da unidade de tejadilho com os 4 parafusos fornecidos. Aperte os parafusos com uma chave de boca e um binário de aperto de 2,5 Nm ± 0,3 Nm.

fig. 15 na página 7

29 Empurre o filtro totalmente para dentro.

fig. 16 na página 7

30 Engate a cobertura central na ADB.

fig. 17 na página 8

31 Informe-se junto do fabricante do veículo se é necessário realizar uma inspeção técnica após instalar um sistema de ar condicionado de tejadilho e se é necessário proceder à alteração da altura do veículo na documentação do mesmo:

- FreshJet FJX4233, FreshJet FJX4333, FreshJet FJX7333: Altura aumentada 225 mm
- FreshJet FJX7337: Altura aumentada 240 mm
- FreshJet FJX7457: Altura aumentada 283 mm

☞ processo de montagem está agora concluído.

Ligue à fonte de alimentação e teste se o sistema de ar condicionado de tejadilho funciona.

## 11 Esquemas de ligações

### FJX4233M

fig. 18 na página 8

### FJX4233E, FJX4333E(EH), FJX7333IHP

fig. 19 na página 9

**FJX7337IHP, FJX7457IHP**

fig. 20 na página 9

**ADB**

fig. 21 na página 10

**12 Eliminação**

Sempre que possível, coloque o material de embalagem no respetivo contentor de reciclagem. Informe-se junto do centro de reciclagem ou revendedor mais próximo sobre como eliminar este produto de acordo com as disposições de eliminação aplicáveis.




Proteja o meio ambiente! Os acumuladores e pilhas não devem ser eliminados juntamente com o lixo doméstico. Entregue os seus acumuladores danificados ou pilhas gastas numa loja ou centro de recolha.


**13 Dados técnicos**

Contém gases fluorados com efeito de estufa. Equipamento hermeticamente selado.

	<b>FreshJet FJX4233M</b>
Potência de refrigeração conforme ISO 5151:	1500 W
Tensão de entrada AC:	220 V ... 240 V / 50 Hz
Corrente nominal para refrigeração:	< 3.3 A
Fusível necessário:	4 A
Intervalo de temperatura de funcionamento:	- 2 °C ... 52 °C
Agente de refrigeração:	R410a
Quantidade de agente de refrigeração:	380 g
Equivalente a CO <sub>2</sub> :	0.793 t
Potencial de aquecimento global (PAG):	2088
Classe de proteção (unidade de tejadilho):	IPX4
Nível de ruídos (definição máxima do ventilador)	< 70 dB(A)

	<b>FreshJet FJX4233M</b>		
Comprimento do veículo máx. sugerido (com paredes isoladas):	< 5 m		
Dimensões CxLxA:	fig. 22		
Peso:	< 30 kg		
Inspeção/certificação:			
	<b>FreshJet FJX4233EEH</b>	<b>FreshJet FJX4333EEH</b>	<b>FreshJet FJX4333E</b>
Potência de refrigeração conforme ISO 5151:	1700 W	2200 W	2200 W
Potência de aquecimento conforme ISO 5151:	800 W	1000 W	-
Tensão de entrada AC:	220 V ... 240 V / 50 Hz		
Corrente nominal para refrigeração:	3.6 A	4.8 A	4.8 A
Corrente nominal para aquecimento:	< 5.2 A	< 5.2 A	-
Fusível necessário:	4 A	5 A	6 A
Intervalo de temperatura de funcionamento:	- 2 °C ... 52 °C		
Agente de refrigeração:	R32		
Quantidade de agente de refrigeração:	320 g	360 g	360 g
Equivalente a CO <sub>2</sub> :	0.216 t	0.243 t	0.243 t
Potencial de aquecimento global (PAG):	675		
Classe de proteção (unidade de tejadilho):	IPX4		
Nível de ruídos (definição máxima do ventilador)	< 70 dB(A)		
Comprimento do veículo máx. sugerido (com paredes isoladas):	< 6 m	< 7 m	< 7 m



	<b>FreshJet FJX4233EEH</b>	<b>FreshJet FJX4333EEH</b>	<b>FreshJet FJX4333E</b>
Dimensões CxLxA:	fig. 23		
Peso:	< 30 kg	< 30 kg	< 30 kg
Inspeção/certificação:			
	<b>FreshJet FJX7333IHP</b>	<b>FreshJet FJX7337IHP</b>	<b>FreshJet FJX7457IHP</b>
Potência de refrigeração conforme ISO 5151:	2200 W	3000 W	3500 W
Potência de aquecimento conforme ISO 5151:	2000 W	2500 W	3000 W
Tensão de entrada AC:	220 V ... 240 V / 50 Hz ... 60 Hz	220 V ... 240 V / 50 Hz ... 60 Hz	220 V ... 240 V / 50 Hz ... 60 Hz
Corrente nominal para refrigeração:	< 7,5 A	< 7,5 A	< 7,5 A
Corrente nominal para aquecimento:	< 6,1 A	< 6,1 A	< 6,1 A
Fusível necessário:	6 A	6 A	6 A
Intervalo de temperatura de funcionamento:	- 2 °C ... 52 °C	- 2 °C ... 52 °C	- 2 °C ... 52 °C
Agente de refrigeração:	R32	R32	R32
Quantidade de agente de refrigeração:	420 g	480 g	650 g
Equivalente a CO <sub>2</sub> :	0.2835 t	0.3240 t	0.43875 t
Potencial de aquecimento global (PAG):	675		
Classe de proteção (unidade de tejadilho):	IPX4		
Nível de ruídos (definição máxima do ventilador)	< 70 dB(A)		
Comprimento do veículo máx. sugerido (com paredes isoladas):	< 7 m	< 7 m	> 8 m
Dimensões CxLxA:	fig. 23	fig. 24	fig. 25
Peso:	< 30 kg	< 35 kg	< 40 kg

	FreshJet FJX7333IHP	FreshJet FJX7337IHP	FreshJet FJX7457IHP
Inspeção/certificação:			

## Italian

1	Important notes.....	73
2	Spiegazione dei simboli.....	73
3	Destinatari.....	74
4	Istruzioni per la sicurezza.....	74
5	Dotazione.....	75
6	Accessori.....	76
7	Destinazione d'uso.....	76
8	Spiegazioni dei simboli sull'apparecchio.....	77
9	Limiti tecnici e condizioni.....	77
10	Installazione.....	77
11	Schema elettrico.....	81
12	Smaltimento.....	81
13	Specifiche tecniche.....	82

## 1 Important notes

Si prega di leggere attentamente e di seguire tutte le istruzioni, le linee guida e le avvertenze incluse in questo manuale del prodotto, al fine di garantire che il prodotto venga sempre installato, utilizzato e mantenuto nel modo corretto. Queste istruzioni DEVONO essere conservate insieme al prodotto.

Utilizzando il prodotto, l'utente conferma di aver letto attentamente tutte le istruzioni, le linee guida e le avvertenze e di aver compreso e accettato di rispettare i termini e le condizioni qui espressamente indicati. L'utente accetta di utilizzare questo prodotto solo per lo scopo e l'applicazione previsti e in conformità con le istruzioni, le linee guida e le avvertenze indicate nel presente manuale del prodotto, nonché in conformità con tutte le leggi e i regolamenti applicabili. La mancata lettura e osservanza delle istruzioni e delle avvertenze qui espressamente indicate può causare lesioni personali e a terzi, danni al prodotto o ad altre proprietà nelle vicinanze. Il presente manuale del prodotto, comprese le istruzioni, le linee guida e le avvertenze e la relativa documentazione possono essere soggetti a modifiche e aggiornamenti. Per informazioni aggiornate sul prodotto, visitare [documents.dometic.com](http://documents.dometic.com).

## 2 Spiegazione dei simboli



**PERICOLO!** indica una situazione di pericolo che, se non evitata, provoca lesioni gravi o mortali.



**AVVERTENZA!** indica una situazione di pericolo che, se non evitata, provoca lesioni gravi o mortali.



**ATTENZIONE!** indica una situazione di pericolo che, se non evitata, potrebbe provocare lesioni di entità lieve o moderata.



**AVVISO!** indica una situazione di pericolo che, se non evitata, potrebbe provocare lesioni di entità lieve o moderata.



**Nota** Informazioni integranti relative all'impiego del prodotto.

### 3 Destinatari



L'alimentazione elettrica deve essere collegata da un elettricista qualificato che abbia dimostrato di possedere abilità e conoscenze sulla costruzione e il funzionamento di apparecchiature elettriche e installazioni e abbia ricevuto la formazione sulla sicurezza per identificare ed evitare i pericoli correlati.



L'installazione meccanica deve essere eseguita da personale qualificato che abbia familiarità con la struttura e il funzionamento dell'apparecchiatura e con i pericoli associati.

### 4 Istruzioni per la sicurezza



**AVVERTENZA! La mancata osservanza di queste avvertenze potrebbe causare la morte o lesioni gravi.**

- Le riparazioni dell'apparecchio devono essere eseguite solo da personale qualificato che abbia familiarità con i rischi e con le norme vigenti in materia. Le riparazioni effettuate in modo scorretto possono causare gravi pericoli. Per il servizio di riparazione, contattare il centro di assistenza del proprio Paese (vedere [dometic.com/dealer](http://dometic.com/dealer)).
- L'apparecchio deve essere installato in conformità alle norme nazionali in materia di installazione elettrica e meccanica.
- **Gli apparecchi elettrici non sono giocattoli.** I bambini non sono in grado di valutare correttamente i pericoli connessi con gli apparecchi elettrici. Non permettere l'uso di apparecchi elettrici ai bambini se non in presenza di adulti.
- Le persone che, a causa delle proprie capacità fisiche, sensoriali o mentali oppure della propria inesperienza o scarsa conoscenza non siano in grado di utilizzare l'apparecchio modo sicuro, devono evitare di utilizzarlo se non in presenza e seguendo le istruzioni di una persona per loro responsabile.
- In caso d'incendio **non** rimuovere il coperchio superiore dell'apparecchio. Utilizzare invece agenti estinguenti approvati. Non tentare di estinguere l'incendio con acqua.
- L'apparecchio deve essere conservato in una stanza senza fiamme libere (ad esempio un apparecchio a gas in funzione) e fonti di accensione (ad esempio un riscaldatore elettrico in funzione).
- L'apparecchio deve essere conservato in posizione orizzontale in un luogo asciutto, ventilato e coperto.
- Non forare o bruciare l'apparecchio.
- Tenere presente che i refrigeranti possono essere inodori.
- Il climatizzatore deve essere installato su un veicolo con un'area del pavimento superiore a 4 m<sup>2</sup>.



**ATTENZIONE! La mancata osservanza di queste precauzioni potrebbe causare lesioni lievi o moderate.**

- Utilizzare l'apparecchio soltanto dopo aver verificato che l'alloggiamento e i cavi non siano danneggiati.
- Non utilizzare l'apparecchio nelle vicinanze di liquidi infiammabili oppure in locali chiusi.
- Assicurarsi che nella zona delle bocchette dell'aria non siano collocati o montati oggetti infiammabili. Deve essere rispettata una distanza minima di 50 cm.
- Non toccare l'interno delle bocchette di aerazione e non introdurre nessun corpo estraneo nell'apparecchio.
- Indossare sempre occhiali e guanti protettivi.



**AVVISO! Rischio di danni**

- L'apparecchio funziona in modo ottimale a 1020 mbar.
- L'apparecchio deve essere conservato in modo da evitare danni meccanici.
- Prima di procedere con l'installazione dell'apparecchio occorre verificare che il suo montaggio non possa causare danni ai componenti del veicolo (ad es. lampade, armadi, porte). È possibile che il produttore del veicolo abbia già previsto dei punti nei quali sia possibile realizzare l'apertura per l'installazione dell'apparecchio senza correre il rischio di indebolire la struttura o di tranciare i cavi elettrici.
- Prima dell'installazione, informarsi presso il fabbricante del veicolo se, con il veicolo in marcia, la struttura è progettata per sostenere il peso statico e il carico del climatizzatore.
- Guarnizione di tutte le aperture realizzate durante l'installazione del climatizzatore.
- Per il montaggio scegliere una zona in piano e sufficientemente piatta al centro del tetto del veicolo fra i due profili longitudinali.
- La pendenza della superficie di montaggio del tetto non può essere superiore a 10 °.
- Assicurarsi che nell'abitacolo del veicolo non siano presenti ostacoli per il fissaggio della scatola di distribuzione dell'aria o la fuoriuscita dell'aria raffreddata attraverso le bocchette di distribuzione dell'aria orientabili.
- Non eseguire modifiche o trasformazioni all'apparecchio!
- Non utilizzare mai autolavaggi automatici quando l'apparecchio è montato.
- Qualora dovessero presentarsi guasti al circuito di raffreddamento, fare controllare l'impianto da una ditta specializzata e farlo riparare a regola d'arte.
- Non scaricare mai il refrigerante nell'aria.
- Si prega di informarsi presso il fabbricante del proprio veicolo se, in seguito all'installazione del climatizzatore, è necessario apportare una modifica dell'altezza del veicolo sulla carta di circolazione.

## 5 Dotazione

N. nella fig. <b>1</b> , fig. <b>2</b>	Quantità	Descrizione
1	1	Unità a tetto
2	1	Telaio del tetto
3	1	Scatola di distribuzione dell'aria
4	1	Copertura centrale scatola di distribuzione dell'aria

N. nella fig. <b>1</b> , fig. <b>2</b>	Quantità	Descrizione
5	4	Sezioni dei condotti
6	3	Connettori per cavi
7	4	Viti di fissaggio
8	1	Coperchio della scatola
9	1	<b>Solo FreshJet FJX4233EEH/FJX4333E(EH)/FJX7333IHP/ FJX7337IHP/FJX7457IHP:Controllo remoto</b>

## 6 Accessori

Disponibili come accessori (non in dotazione):

Descrizione	N. art.
Sezioni dei condotti di estensione (ogni sezione copre ulteriori 10 mm)	4450017931
Bulloni di fissaggio più lunghi M6 x 160 mm (per spessori del tetto 60 ... 120 mm)	4450012023
Purificatore d'aria	4450029486
Riscaldatore elettrico	4450029487
Luce ambiente ADB	4450029488
Filtri per FreshJet FJX4233M	4450024007 4450024008
Filtri per FreshJet FJX4233EEH/FJX4333E(EH)/FJX7333IHP/FJX7337IHP/FJX7457IHP	4450025683

## 7 Destinazione d'uso

Il climatizzatore FreshJet FJX è progettato solo per l'installazione sul tetto di un caravan o di un veicolo ricreazionale per fornire il raffreddamento.

Il climatizzatore **non** è adatto per treni, case e appartamenti. Il climatizzatore **non** è adatto per essere montato su macchine edili, macchine agricole o macchine da lavoro simili.

Questo prodotto è adatto solo per l'uso e l'applicazione previsti in conformità con le presenti istruzioni.

Il presente manuale fornisce le informazioni necessarie per la corretta installazione e/o il funzionamento del prodotto. Un'installazione errata e/o un utilizzo o una manutenzione impropri comporteranno prestazioni insoddisfacenti e un possibile guasto.

Il produttore non si assume alcuna responsabilità per eventuali lesioni o danni al prodotto che derivino da:

- montaggio o collegamento non corretti, compresa la sovratensione
- manutenzione non corretta o uso di ricambi diversi da quelli originali forniti dal produttore

- modifiche al prodotto senza esplicita autorizzazione del produttore
- impiego per scopi diversi da quelli descritti nel presente manuale.

Dometic si riserva il diritto di modificare l'aspetto e le specifiche del prodotto.

## 8 Spiegazioni dei simboli sull'apparecchio



Avviso! Materiale a velocità di combustione lenta.



Leggere le istruzioni per l'uso.



Leggere il manuale di manutenzione.

## 9 Limiti tecnici e condizioni

Il climatizzatore è destinato ai veicoli con tetto con uno spessore di 25 mm ... 60 mm. Il funzionamento del climatizzatore è garantito per temperature ambiente comprese tra  $-2^{\circ}\text{C}$  ...  $52^{\circ}\text{C}$ . Il climatizzatore è progettato per essere installato entro  $\pm 10^{\circ}$  dal piano orizzontale. Le prestazioni del climatizzatore possono essere ridotte quando è esposto a forti vibrazioni, provocate ad esempio da strade dissestate.

## 10 Installazione



### **PERICOLO! Pericolo di scosse elettriche**

- L'alimentazione elettrica deve essere collegata da un elettricista qualificato che abbia dimostrato di possedere abilità e conoscenze sulla costruzione e il funzionamento di apparecchiature elettriche e installazioni e abbia ricevuto la formazione sulla sicurezza per identificare ed evitare i pericoli correlati.
- Quando si opera sul climatizzatore a tetto, interrompere tutte le alimentazioni di tensione.
- Assicurarsi che l'apparecchio non possa essere ricollegato.



### AVVERTENZA! Pericolo di scosse elettriche

- L'apparecchio deve essere installato in conformità alle norme nazionali sul cablaggio.
- I seguenti elementi devono essere incorporati nel cablaggio fisso in conformità alle regole di cablaggio: Un dispositivo di scollegamento onnipolare con distanza di almeno 3 mm in tutti i poli; in presenza di una corrente di dispersione che può superare 10 mA, un interruttore differenziale (RCD) con una corrente operativa residua nominale non superiore a 30 mA; uno scollegamento.
- Se l'apparecchio sostituisce una finestra o un oblò con una funzione di ventilazione forzata rilevante per la sicurezza, è necessario aggiungere un dispositivo di ventilazione di sicurezza aggiuntivo (ad esempio una ventola a fungo o simile). In caso di dubbio, consultare il fabbricante del veicolo.
- Dopo l'installazione del climatizzatore, un camino di scarico in prossimità del climatizzatore deve ergersi per almeno 10 cm sopra di esso. Se necessario, prolungare il camino di scarico. Attenersi alle istruzioni del fabbricante del sistema di riscaldamento.



### ATTENZIONE! Rischio di lesioni

- Un montaggio scorretto del climatizzatore può provocare danni irreparabili all'apparecchio e compromettere la sicurezza dell'utente.
- Trasportare o sorreggere sempre il climatizzatore in due persone.
- Accertarsi che il montaggio dell'apparecchio (in caso di perforazioni ed avvitature ecc.) non avvenga lungo la posa dei cablaggi preesistenti, in particolare di quelli non a vista, delle linee e di altri componenti situati nell'area di montaggio.
- Posare i cavi in modo tale che non sussista pericolo di inciampo e che si possano escludere eventuali danni ai cavi.
- Indossare sempre occhiali e guanti protettivi.



### AVVISO! Rischio di danni

- L'apparecchio è un sistema sigillato con un circuito di raffreddamento chiuso. Non aprirlo né manipolarlo.
- Utilizzare canaline per cavi per posare i cavi attraverso pareti con spigoli vivi.
- Non effettuare la posa di cavi laschi o piegati accanto a materiali elettroconduttori (metalli).
- Non tirare i cavi.
- Verificare che i cavi non siano soggetti a usura, corrosione, eccessiva pressione, vibrazioni, bordi taglienti o altri effetti ambientali avversi. Il controllo deve inoltre tenere conto degli effetti dell'invecchiamento o delle vibrazioni continue provenienti da fonti quali compressori o ventole.
- Prestare attenzione alla statica del tetto del veicolo. Il tetto del veicolo deve poter sostenere il peso del climatizzatore senza cedere o deformarsi. In caso di dubbio, consultare il fabbricante del veicolo.



### Nota

- Le specifiche dell'apparecchio sono riportate nei Specifiche tecniche e nelle seguenti targhette dati:
- Targhetta dati dell'unità a tetto fig. **3**
- Targhetta dati ADBfig. **4**



Find additional information on roof air conditioners in the operating manual, such as the technical description or the controls, see [documents.dometic.com/?object\\_id=75095](https://documents.dometic.com/?object_id=75095).





fig. 3 alla pagina 2 fig. 4 alla pagina 2

1. Scegliere la modalità di installazione del climatizzatore:
  - Realizzazione di una nuova apertura. In questo caso l'apertura deve essere rinforzata da un telaio adeguato.
  - Utilizzo di un'apertura esistente nel veicolo, come un oblò a tetto, o sostituzione di un vecchio climatizzatore.

### Realizzazione di una nuova apertura

2. Scegliere un'area al centro del tetto situata fra due supporti longitudinali.

fig. 5 alla pagina 2

3. Segnare la posizione e le dimensioni dell'apertura (400 × 400 mm).
4. Praticare i fori sugli angoli (A).



**AVVISO! Rischio di danni** Prestare attenzione a non danneggiare i cavi di alimentazione elettrica. Controllare la posizione dei cavi elettrici.

fig. 6 alla pagina 3

5. Tagliare con cura l'apertura sul tetto con un gattuccio o uno strumento simile (B).
6. Controllare se l'apertura nel tetto deve essere rinforzata.
7. Se necessario, rimuovere lo strato di schiuma in base alla larghezza dei listelli di rinforzo (non in dotazione) (A).  
fig. 7 alla pagina 3
8. Applicare i listelli di rinforzo (B).

### Installazione in un'apertura esistente

9. Rimuovere tutte le viti e gli elementi di fissaggio dell'oblò a tetto o del climatizzatore d'aria esistente.  
fig. 8 alla pagina 3
10. Estrarre l'oblò a tetto o il climatizzatore.
11. Con un raschietto o qualcosa di simile, rimuovere il materiale di guarnizione situato intorno all'apertura.  
fig. 9 alla pagina 3

### Posa dei cavi di collegamento

12. Controllare che i dati di tensione riportati sulla targhetta del climatizzatore corrispondano a quelli dell'alimentazione. Il climatizzatore deve essere collegato a un circuito elettrico in grado di fornire la corrente necessaria (Specifiche tecniche).
13. Assicurarsi che la linea di alimentazione elettrica sia dotata di un interruttore differenziale (< 30 mA). Se mancante, installare l'interruttore differenziale.
14. Installare sul lato di installazione un interruttore onnipolare con una larghezza di apertura dei contatti di almeno 3 mm.
15. Scegliere la sezione del cavo di alimentazione in base alla sua lunghezza:
  - Lunghezza < 7.5 m: 1.5 mm<sup>2</sup>
  - Lunghezza > 7.5 m: 2.5 mm<sup>2</sup>
16. Praticare un'apertura su un lato per farvi passare il cavo di alimentazione.  
fig. 10 alla pagina 3
17. Far passare il cavo di alimentazione attraverso l'apertura all'interno dell'abitacolo.

### Installazione dell'unità a tetto

18. Sigillare attorno al telaio del tetto con sigillante butilico flessibile non indurente (ad es. SikaLastomer-710, Selley's Butyl Mastic, Bostik ezycaulk butyl sealant, o prodotti simili). Osservare le indicazioni del produttore del mastice.

fig. 11 alla pagina 4

19. Orientare il telaio del tetto in base alle dimensioni dell'apertura.

20. Inserire il telaio del tetto nell'apertura del tetto.

fig. 12 alla pagina 4

21. Sollevare l'unità a tetto sul tetto del veicolo. Osservare la direzione di marcia.

22. Posizionare l'unità a tetto nel telaio del tetto e allinearla alla scanalatura del telaio del tetto. Per l'allineamento nella scanalatura del telaio del tetto, utilizzare gli angoli nella parte anteriore del telaio del tetto.

### Collegamento elettrico

23. Collegare il cavo di alimentazione.

fig. 13 alla pagina 5

- Collegare i cavi (1) a un connettore (2).
- Collegare il climatizzatore all'alimentazione.
- Collegare il cavo di messa a terra al sistema di messa a terra del veicolo.

24. **Solo FreshJet FJX4233M:** collegare il cavo tra l'unità esterna e il diffusore d'aria.

- Estrarre leggermente il filtro per creare una fessura per il cavo di comunicazione (3).
- Fare passare il cavo di attraverso la fessura e posizionarlo nell'apertura.
- Collegare la spina di comunicazione a 6 poli alla presa sul lato del display nella scatola di distribuzione dell'aria. Assicurarsi che il cavo sia posizionato nella piccola apertura lontano dalla zona del filtro.
- Fissare il cavo in eccesso nei supporti.

25. **Solo FreshJet FJX4233EEH/FJX4333E(EH)/FJX7333IHP/FJX7337IHP/FJX7457IHP:** Collegare il cavo di comunicazione.

- Estrarre leggermente il filtro per creare una fessura per il cavo di comunicazione (4).
- Fare passare il cavo di comunicazione attraverso la fessura e posizionarlo nell'apertura.
- Collegare la spina di comunicazione a 4 poli alla presa sul lato del display nella scatola di distribuzione dell'aria. Assicurarsi che il cavo sia posizionato nella piccola apertura lontano dalla zona del filtro.
- Fissare il cavo in eccesso nei supporti.

### Installazione della scatola di distribuzione dell'aria

26. Impilare le sezioni dei condotti e posizionarle contro lo spessore del tetto; assicurarsi che l'altezza dei condotti corrisponda all'altezza del tetto o utilizzare la tabella come guida.

fig. 14 alla pagina 6

Spessore tetto	Numero di sezioni del condotto
25 ... 35 mm	1
35 ... 45 mm	2
45 ... 55 mm	3

Spessore tetto	Numero di sezioni del condotto
55 ... 60 mm	4



**Nota** Per tetti più spessi è possibile acquistare ulteriori sezioni del condotto.

27 Fissare il numero richiesto di sezioni del condotto sulla scatola di distribuzione dell'aria.

28 Fissare la scatola di distribuzione dell'aria al soffitto attraverso l'unità a tetto con i 4 bulloni in dotazione. Serrare le viti con una chiave dinamometrica a una coppia di serraggio di  $2,5 \text{ Nm} \pm 0,3 \text{ Nm}$ .

fig. **15** alla pagina 7

29 Spingere il filtro completamente all'interno.

fig. **16** alla pagina 7

30 Fissare il coperchio centrale alla scatola di distribuzione dell'aria.

fig. **17** alla pagina 8

31 Chiedere al fabbricante del veicolo se, una volta installato il climatizzatore, è necessario eseguire un collaudo e modificare il valore dell'altezza del veicolo riportato nella carta di circolazione:

- FreshJet FJX4233, FreshJet FJX4333, FreshJet FJX7333: maggiore altezza 225 mm
- FreshJet FJX7337: maggiore altezza 240 mm
- FreshJet FJX7457: maggiore altezza 283 mm

✓ Installazione è ora completata.

Collegare il climatizzatore all'alimentazione e provare se funziona.

## 11 Schema elettrico

### FJX4233M

fig. **18** alla pagina 8

### FJX4233E, FJX4333E(EH), FJX7333IHP

fig. **19** alla pagina 9

### FJX7337IHP, FJX7457IHP

fig. **20** alla pagina 9

### ADB

fig. **21** alla pagina 10

## 12 Smaltimento



Raccogliere il materiale di imballaggio possibilmente negli appositi contenitori di riciclaggio. Consultare il centro locale di riciclaggio o il rivenditore specializzato per informazioni su come smaltire il prodotto secondo le norme sullo smaltimento applicabili.




Proteggete l'ambiente! Gli accumulatori e le batterie non devono essere raccolti insieme ai rifiuti domestici. Consegnare gli accumulatori difettosi o le batterie usate al rivenditore o presso un centro di raccolta.

## 13 Specifiche tecniche


Contiene gas fluorurati ad effetto serra. Apparecchiatura sigillata ermeticamente.

	<b>FreshJet FJX4233M</b>
Capacità di raffreddamento in conformità a ISO 5151:	1500 W
Tensione di ingresso CA:	220 V ... 240 V / 50 Hz
Raffreddamento a corrente nominale:	< 3.3 A
Fusibile necessario:	4 A
Intervallo temperatura di esercizio:	- 2 °C ... 52 °C
Refrigerante:	R410a
Quantità di refrigerante:	380 g
CO <sub>2</sub> equivalente:	0.793 t
Potenziale di riscaldamento globale (GWP):	2088
Classe di protezione (unità a tetto):	IPX4
Livello di rumorosità (impostazione massima della ventola)	< 70 dB(A)
Lunghezza massima consigliata del veicolo (con pareti isolate):	< 5 m
Dimensioni L x P x A:	fig. <b>22</b>
Peso:	< 30 kg
Ispezione/certificazione:	

	<b>FreshJet FJX4233EEH</b>	<b>FreshJet FJX4333EEH</b>	<b>FreshJet FJX4333E</b>
Capacità di raffreddamento in conformità a ISO 5151:	1700 W	2200 W	2200 W

	<b>FreshJet FJX4233EEH</b>	<b>FreshJet FJX4333EEH</b>	<b>FreshJet FJX4333E</b>
Capacità di riscaldamento in conformità a ISO 5151:	800 W	1000 W	–
Tensione di ingresso CA:	220 V ... 240 V / 50 Hz		
Raffreddamento a corrente nominale:	3,6 A	4,8 A	4,8 A
Assorbimento di corrente riscaldamento:	< 5,2 A	< 5,2 A	–
Fusibile necessario:	4 A	5 A	6 A
Intervallo temperatura di esercizio:	– 2 °C ... 52 °C		
Refrigerante:	R32		
Quantità di refrigerante:	320 g	360 g	360 g
CO <sub>2</sub> equivalente:	0,216 t	0,243 t	0,243 t
Potenziale di riscaldamento globale (GWP):	675		
Classe di protezione (unità a tetto):	IPX4		
Livello di rumorosità (impostazione massima della ventola)	< 70 dB(A)		
Lunghezza massima consigliata del veicolo (con pareti isolate):	< 6 m	< 7 m	< 7 m
Dimensioni L x P x A:	fig. 23		
Peso:	< 30 kg	< 30 kg	< 30 kg
Ispezione/certificazione:			

	<b>FreshJet FJX7333IHP</b>	<b>FreshJet FJX7337IHP</b>	<b>FreshJet FJX7457IHP</b>
Capacità di raffreddamento in conformità a ISO 5151:	2200 W	3000 W	3500 W
Capacità di riscaldamento in conformità a ISO 5151:	2000 W	2500 W	3000 W
Tensione di ingresso CA:	220 V ... 240 V / 50 Hz ... 60 Hz	220 V ... 240 V / 50 Hz ... 60 Hz	220 V ... 240 V / 50 Hz ... 60 Hz

	<b>FreshJet FJX7333IHP</b>	<b>FreshJet FJX7337IHP</b>	<b>FreshJet FJX7457IHP</b>
Raffreddamento a corrente nominale:	< 7.5 A	< 7.5 A	< 7.5 A
Assorbimento di corrente riscaldamento:	< 6.1 A	< 6.1 A	< 6.1 A
Fusibile necessario:	6 A	6 A	6 A
Intervallo temperatura di esercizio:	- 2 °C ... 52 °C	- 2 °C ... 52 °C	- 2 °C ... 52 °C
Refrigerante:	R32	R32	R32
Quantità di refrigerante:	420 g	480 g	650 g
CO <sub>2</sub> equivalente:	0.2835 t	0.3240 t	0.43875 t
Potenziale di riscaldamento globale (GWP):		675	
Classe di protezione (unità a tetto):		IPX4	
Livello di rumorosità (impostazione massima della ventola)		< 70 dB(A)	
Lunghezza massima consigliata del veicolo (con pareti isolate):	< 7 m	< 7 m	> 8 m
Dimensioni L x P x A:	fig. <b>23</b>	fig. <b>24</b>	fig. <b>25</b>
Peso:	< 30 kg	< 35 kg	< 40 kg
Ispezione/certificazione:			

## Dutch

1	Important notes.....	85
2	Verklaring van de symbolen.....	85
3	Doelgroepen.....	86
4	Veiligheidsaanwijzingen.....	86
5	Omvang van de levering.....	87
6	Accessoires.....	88
7	Beoogd gebruik.....	88
8	Verklaring van de symbolen op het toestel.....	89
9	Technische limieten en voorwaarden.....	89
10	Montage.....	89
11	Schakelschema's.....	93
12	Verwijdering.....	94
13	Technische gegevens.....	94

## 1 Important notes

Lees deze gebruiksaanwijzing zorgvuldig door en volg alle instructies, richtlijnen en waarschuwingen in deze handleiding op om ervoor te zorgen dat u het product te allen tijde op de juiste manier installeert, gebruikt en onderhoudt. Deze gebruiksaanwijzing MOET bij dit product worden bewaard.

Door het product te gebruiken, bevestigt u hierbij dat u alle instructies, richtlijnen en waarschuwingen zorgvuldig hebt gelezen en dat u de voorwaarden zoals hierin beschreven begrijpt en accepteert. U gaat ermee akkoord dit product alleen te gebruiken voor het beoogde doel en de beoogde toepassing en in overeenstemming met de instructies, richtlijnen en waarschuwingen zoals beschreven in deze gebruiksaanwijzing en in overeenstemming met de geldende wet- en regelgeving. Het niet lezen en opvolgen van de hierin beschreven instructies en waarschuwingen kan leiden tot letsel voor uzelf en anderen, schade aan uw product of schade aan andere eigendommen in de omgeving. Deze gebruiksaanwijzing, met inbegrip van de instructies, richtlijnen en waarschuwingen, en de bijbehorende documentatie kan onderhevig zijn aan wijzigingen en updates. Actuele productinformatie vindt u op [documents.dometic.com](http://documents.dometic.com).

## 2 Verklaring van de symbolen



**GEVAAR!** duidt op een gevaarlijke situatie die, indien deze niet wordt voorkomen, leidt tot ernstig letsel of de dood.



**WAARSCHUWING!** duidt op een gevaarlijke situatie die, indien deze niet wordt voorkomen, leidt tot ernstig letsel of de dood.



**VOORZICHTIG!** duidt op een gevaarlijke situatie die, indien deze niet wordt voorkomen, kan leiden tot licht of matig letsel.



**LET OP!** duidt op een gevaarlijke situatie die, indien deze niet wordt voorkomen, kan leiden tot licht of matig letsel.



**Instructie** Aanvullende informatie voor het gebruik van het product.

### 3 Doelgroepen



De elektrische aansluiting moet worden uitgevoerd door een bevoegde elektricien met aantoonbare kennis en vaardigheden op het gebied van de constructie en werking van elektrische apparaten en installaties, die is opgeleid om de gevaren die elektrische apparaten en installaties met zich meebrengen veilig te herkennen en te voorkomen.



De mechanische installatie moet worden uitgevoerd door bevoegd personeel dat bekend is met de constructie en de werking van de apparatuur en de gevaren die ermee gepaard gaan.

### 4 Veiligheidsaanwijzingen



**WAARSCHUWING! Het niet in acht nemen van deze waarschuwingen kan leiden tot ernstig letsel of de dood.**

- Reparaties van het toestel mogen uitsluitend worden uitgevoerd door bevoegd personeel dat bekend is met de betreffende gevaren en voorschriften. Door ondeskundige reparaties kunnen grote gevaren ontstaan. Neem voor reparaties contact op met het servicecentrum in uw land (zie [dometic.com/dealer](http://dometic.com/dealer)).
- Het toestel moet worden geïnstalleerd in overeenstemming met de nationale voorschriften voor elektrische en mechanische installatie.
- **Elektrische toestellen zijn geen speelgoed.** Kinderen kunnen de gevaren die van elektrische toestellen uitgaan niet goed inschatten. Laat kinderen niet zonder toezicht elektrische toestellen gebruiken.
- Personen die door hun fysieke, zintuigelijke of mentale vermogen of door hun onervarenheid of onwetendheid niet in staat zijn het toestel veilig te gebruiken, mogen dit niet zonder toezicht of instructie door een verantwoordelijke persoon doen.
- In geval van brand mag u de bovenste afdekking van het toestel **niet** verwijderen. Gebruik in plaats daarvan goedgekeurde blusmiddelen. Gebruik geen water om branden te blussen.
- Het toestel moet worden opgeslagen in een ruimte zonder continu aanwezig open vuur (bijvoorbeeld een werkend gastoestel) en zonder ontstekingsbronnen (bijvoorbeeld een ingeschakelde elektrische verwarming).
- Het toestel dient horizontaal te worden opgeslagen op een droge, geventileerde en overdekte locatie.
- Doorboor of verbrand het toestel niet.
- Koelmiddelen kunnen geurloos zijn.
- De dakairconditioning moet worden geïnstalleerd in een voertuig met een vloeroppervlak groter dan 4 m<sup>2</sup>.





**VOORZICHTIG! Het niet in acht nemen van deze waarschuwingen kan leiden tot licht of matig letsel.**

- Gebruik het toestel alleen als u zeker weet dat de behuizing en de kabels niet beschadigd zijn.
- Gebruik het toestel niet in de buurt van ontvlambare vloeistoffen of in gesloten ruimtes.
- Zorg ervoor dat er geen brandbare voorwerpen in de buurt van de luchtuitlaat zijn opgeslagen of gemonteerd. De afstand moet minstens 50 cm bedragen.
- Grijp niet in luchtuitlaten en steek geen vreemde voorwerpen in het toestel.
- Draag altijd een veiligheidsbril en handschoenen.



**LET OP! Gevaar voor schade**

- Het toestel werkt optimaal op 1020 mbar.
- Het toestel dient zodanig te worden opgeslagen dat mechanische schade wordt voorkomen.
- Controleer of door de montage van het toestel eventueel voertuigcomponenten beschadigd kunnen raken (bijvoorbeeld lampen, kasten, deuren), alvorens het toestel te monteren. De voertuigfabrikant heeft eventueel al voor plaatsen gezorgd waar de opening voor de montage van het toestel kan worden aangebracht zonder het risico de constructie te verzwakken of stroomkabels door te snijden.
- Vraag vóór de montage aan de voertuigfabrikant of de constructie is ontworpen voor het statische gewicht en de belastingen van de dakairconditioning wanneer het voertuig in beweging is.
- Dicht alle openingen af die zijn gemaakt bij het aanbrengen van de dakairconditioning.
- Kies als montageplaats een vlakke en voldoende effen zone in het midden van het voertuigdak tussen twee lengteprofielen.
- De dakhelling van het montagevlak mag niet meer dan 10 ° bedragen.
- Zorg ervoor dat er in het voertuig geen voorwerpen staan die de bevestiging van de luchtverdeelbox kunnen hinderen of de gekoelde luchtstroom uit de zwenkbare luchtverdelers kunnen blokkeren.
- Voer geen wijzigingen of verbouwingen aan het toestel uit!
- Rijd nooit door de wasstraat wanneer het toestel is gemonteerd.
- Als er storingen in de koelkring optreden, moet het systeem door een gespecialiseerde firma worden gecontroleerd en naar behoren worden gerepareerd.
- Het koelmiddel mag niet aan de lucht worden afgegeven.
- Vraag de voertuigfabrikant of de hoogte die is aangegeven in uw voertuigpapieren moet worden gewijzigd vanwege de montage van de dakairconditioning.

## 5 Omvang van de levering

Nr. in afb. <b>1</b> , afb. <b>2</b>	Aantal	Beschrijving
1	1	Dakeenheid
2	1	Dakframe
3	1	Luchtverdeelbox (Air Distribution Box; ADB)
4	1	Centrale afdekking ADB
5	4	Kanaalsecties
6	3	Kabelverbinders

Nr. in afb. <b>1</b> , afb. <b>2</b>	Aantal	Beschrijving
7	4	Bevestigingsschroeven
8	1	Boxafdekking
9	1	<b>Alleen FreshJet FJX4233EEH/FJX4333E(EH)/FJX7333IHP/ FJX7337IHP/FJX7457IHP:</b> Afstandsbediening

## 6 Accessoires

Verkrijgbaar als accessoires (niet bij de levering inbegrepen):

Beschrijving	Artikelnr.
Verlengende kanaalsecties (elke sectie levert 10 mm extra op)	4450017931
Langere bevestigingsschroeven M6 x 160 mm (voor dakdiktes van 60 ... 120 mm)	4450012023
Luchtzuiveraar	4450029486
Elektrische verwarming	4450029487
ADB-sfeerverlichting	4450029488
Filters voor FreshJet FJX4233M	4450024007 4450024008
Filters voor FreshJet FJX4233EEH/FJX4333E(EH)/FJX7333IHP/FJX7337IHP/FJX7457IHP	4450025683

## 7 Beoogd gebruik

De dakairconditioning FreshJet FJX is uitsluitend ontworpen voor montage op het dak van een caravan of recreatievoertuig om koeling te bieden.

De dakairconditioning is **niet** geschikt voor treinen, huizen en appartementen. De dakairconditioning is **niet** geschikt voor montage in bouwmachines, landbouwmachines of dergelijke werktuigen.

Dit product is alleen geschikt voor het beoogde gebruik en de toepassing in overeenstemming met deze gebruiksaanwijzing.

Deze handleiding geeft informatie die nodig is voor een correcte installatie en/of correct gebruik van het product. Een slechte installatie en/of onjuist gebruik of onderhoud leidt tot onbevredigende prestaties en mogelijke storingen.

De fabrikant aanvaardt geen aansprakelijkheid voor letsel of schade aan het product die het gevolg is van:

- Onjuiste montage of aansluiting, inclusief te hoge spanning
- Onjuist onderhoud of gebruik van andere dan door de fabrikant geleverde originele reserveonderdelen
- Wijzigingen aan het product zonder uitdrukkelijke toestemming van de fabrikant
- Gebruik voor andere doeleinden dan beschreven in deze handleiding

Dometic behoudt zich het recht voor om het uiterlijk en de specificaties van het product te wijzigen.

## 8 Verklaring van de symbolen op het toestel



Let op! Licht ontvlambaar materiaal.



Lees de gebruiksaanwijzing.



Lees de servicehandleiding.

## 9 Technische limieten en voorwaarden

De dakairconditioning is bedoeld voor voertuigen met daken met een dikte van 25 mm ... 60 mm. De werking van de dakairconditioning is gegarandeerd bij omgevingstemperaturen tussen  $-2^{\circ}\text{C}$  ...  $52^{\circ}\text{C}$ . De dakairconditioning is ontworpen om te worden geïnstalleerd binnen  $\pm 10^{\circ}$  van het horizontale vlak. De prestaties van de dakairconditioning kunnen afnemen wanneer deze wordt blootgesteld aan sterke trillingen, bijvoorbeeld door slechte wegomstandigheden.

## 10 Montage



### **GEVAAR! Gevaar voor elektrische schokken**

- De elektrische aansluiting moet worden uitgevoerd door een bevoegde electricien met aantoonbare kennis en vaardigheden op het gebied van de constructie en werking van elektrische apparaten en installaties, die is opgeleid om de gevaren die elektrische apparaten en installaties met zich meebrengen veilig te herkennen en te voorkomen.
- Onderbreek alle stroomvoorzieningen bij werkzaamheden aan de dakairconditioning.
- Zorg ervoor dat het toestel niet opnieuw kan worden aangesloten.



### WAARSCHUWING! Gevaar voor elektrische schokken

- Het toestel moet worden geïnstalleerd in overeenstemming met de nationale voorschriften voor bedrading.
- Het volgende moet in de vaste bedrading worden opgenomen in overeenstemming met de bedravingsregels: een alpolige scheidingschakelaar die ten minste 3 mm vrije ruimte in alle polen heeft; in geval van een lekstroom die hoger kan zijn dan 10 mA een aardlekschakelaar met een nominale rest-bedrijfsstroom van maximaal 30 mA; een ontkoppeling.
- Als het toestel een raam of luik vervangt met een veiligheidsgerelateerde gedwongen ventilatiefunctie, moet er een extra veiligheidsventilatie-inrichting (bijv. een paddestoelventilator o.i.d.) worden toegevoegd. Neem in geval van twijfel contact op met de voertuigfabrikant.
- Na de montage van de dakairconditioning moet er een uitlaatschoorsteen in de buurt van de dakairconditioning ten minste 10 cm boven uitsteken. Verleng de uitlaatschoorsteen indien nodig. Neem de aanwijzingen van de fabrikant van de verwarming in acht.



### VOORZICHTIG! Gevaar voor letsel

- Een verkeerde montage van de dakairconditioning kan tot onherstelbare schade aan het toestel leiden en de veiligheid van de gebruiker in gevaar brengen.
- Draag of til de dakairconditioning altijd met twee personen.
- Controleer voorafgaand aan de montage van het toestel (bij het boren en schroeven enz.) het verloop van aanwezige, met name onzichtbare, kabelstrengen, leidingen en andere componenten die zich in het montagegebied bevinden.
- Leg en bevestig de kabels zodanig dat er niet over gestruikeld kan worden en dat ze niet beschadigd kunnen raken.
- Draag altijd een veiligheidsbril en handschoenen.



### LET OP! Gevaar voor schade

- Het toestel is een afgedicht systeem met een gesloten koelkring. Open of manipuleer het niet.
- Gebruik kabelgoten om kabels door wanden met scherpe randen te leggen.
- Leg geen losse of scherp geknikte kabels naast elektrisch geleidende materialen (metaal).
- Trek niet aan de kabels.
- Zorg ervoor dat de bekabeling niet onderhevig is aan slijtage, corrosie, overmatige druk, trillingen, scherpe randen of andere nadelige omgevingseffecten. Houd hierbij ook rekening met de effecten van veroudering of continue trillingen van bronnen zoals compressoren of ventilatoren.
- Houd rekening met de structurele sterkte van het voertuigdak. Het voertuigdak moet het gewicht van de dakairconditioning kunnen dragen zonder daarbij te worden ingedeukt of vervormd. Neem in geval van twijfel contact op met de voertuigfabrikant.



### Instructie

- U vindt de specificaties van het toestel in de Technische gegevens en op de volgende typeplaatjes:
- Typeplaatje dakeenheidafb. **3**
- Typeplaatje luchtverdeelboxafb. **4**



Find additional information on roof air conditioners in the operating manual, such as the technical description or the controls, see [documents.dometic.com/?object\\_id=75095](https://documents.dometic.com/?object_id=75095).



afb. **3** op pagina 2 afb. **4** op pagina 2

1. Kies een manier om de dakairconditioning te monteren:

- Maak een nieuwe opening. In dit geval moet de opening worden versterkt met een geschikt frame.
- Gebruik een bestaande opening in het voertuig, bijvoorbeeld een dakraam of bij vervanging van een oude dakairconditioning.

### Nieuwe opening maken

2. Kies een plek in het midden van het dak tussen twee lengteprofielen.

afb. **5** op pagina 2

3. Markeer de positie en de grootte van de opening (400 × 400 mm).

4. Boor de hoeken uit (**A**).



**LET OP! Gevaar voor schade** Zorg ervoor dat er geen elektrische kabels beschadigd raken. Controleer waar de elektrische kabels zich bevinden.

afb. **6** op pagina 3

5. Zaag de opening zorgvuldig in het dak met behulp van een decoupeerzaag of een soortgelijk gereedschap (**B**).

6. Controleer of de dakopening verstevigd moet worden.

7. Verwijder, indien nodig, de schuimvulling in overeenstemming met de breedte van uw verstevigingslijsten (niet bij de levering inbegrepen) (**A**).

afb. **7** op pagina 3

8. Pas de verstevigingslijsten erin (**B**).

### In een bestaande opening monteren

9. Verwijder alle schroeven en bevestigingselementen van het bestaande dakraam of de bestaande airco.

afb. **8** op pagina 3

10. Verwijder het dakraam of de dakairconditioning.

11. Verwijder het afdichtingsmiddel rond de opening met een schraper of een soortgelijk gereedschap.

afb. **9** op pagina 3

### De aansluitkabels leggen

12. Controleer of de spanning op het typeplaatje van de dakairconditioning overeenkomt met de aanwezige stroomvoorziening. De dakairconditioning moet worden aangesloten op een stroomkring die in staat is de benodigde stroom te leveren (Technische gegevens).

13. Zorg ervoor dat de stroomvoorziening een aardlekschakelaar bevat (< 30 mA). Installeer een aardlekschakelaar als deze nog ontbreekt.

14. Installeer een netschakelaar voor alle polen met een contactopening van minstens 3 mm aan de installatiezijde.

15. Kies de doorsnede van de voedingskabel in overeenstemming met de kabellengte:

- Lengte < 7.5 m: 1.5 mm<sup>2</sup>
- Lengte > 7.5 m: 2.5 mm<sup>2</sup>

16. Maak een opening aan één zijde voor de doorvoer van de voedingskabel.

afb. **10** op pagina 3

17. Leg de voedingskabel door de opening in het interieur van het voertuig.

### De dakeenheid monteren

18. Dicht het dakframe rondom af met een flexibele butyleenkit die niet hard wordt (bijv. Sikalastomer-710, Selleys Butyl Mastic, Bostik Ezycaulk butyl sealant of vergelijkbare producten). Neem ook de instructies van de fabrikant van het afdichtingsmiddel in acht.

afb. **11** op pagina 4

19. Richt het dakframe aan de hand van de afmetingen van de opening.

20. Pas het dakframe in de dakopening.

afb. **12** op pagina 4

21. Til de dakeenheid op het dak van het voertuig. Houd rekening met de rijrichting.

22. Plaats de dakeenheid in het dakframe en lijn deze uit in de groef van het dakframe. Gebruik de hoeken aan de voorkant van het dakframe om de dakeenheid uit te lijnen in de groef van het dakframe.

### Elektrische aansluiting

23. Sluit de voedingskabel aan.

afb. **13** op pagina 5

- Sluit de kabels **(1)** aan op een kabelverbinder **(2)**.
- Sluit de dakairconditioning aan op de stroomvoorziening.
- Sluit de aarddraad aan op het aardingssysteem van het voertuig.

24. **Alleen FreshJet FJX4233M:** verbind de kabel tussen de externe unit en de diffusor van de luchtbox.

- Trek het filter ietsje naar buiten om een gat te maken voor de communicatiekabel **(3)**.
- Steek de kabel door het gat en plaats de leiding in de opening.
- Steek de communicatiestekker met 6 pennen in de stekkerbus aan de zijkant van het display in de luchtverdeelbox. Zorg ervoor dat de kabel zich in de smalle opening weg van de filterzone bevindt.
- Borg overtollige kabel in de houders.

25. **Alleen FreshJet FJX4233EEH/FJX4333E(EH)/FJX7333IHP/FJX7337IHP/FJX7457IHP:** Sluit de communicatiekabel aan.

- Trek het filter ietsje naar buiten om een gat te maken voor de communicatiekabel **(4)**.
- Steek de communicatiekabel door het gat en plaats de leiding in de opening.
- Steek de communicatiestekker met 4 pennen in de stekkerbus aan de zijkant van het display in de luchtverdeelbox. Zorg ervoor dat de kabel zich in de smalle opening weg van de filterzone bevindt.
- Borg overtollige kabel in de houders.

## De luchtverdeelbox monteren

26 Stapel de kanaalsecties op elkaar en vergelijk ze met de dakdikte. Zorg ervoor dat de hoogte van het kanaal overeenkomt met de dakdikte of gebruik de tabel als richtlijn.

afb. 14 op pagina 6

Dakdikte	Aantal kanaalsecties
25 ... 35 mm	1
35 ... 45 mm	2
45 ... 55 mm	3
55 ... 60 mm	4



**Instructie** Voor dickere daken kunnen er extra kanaalsecties worden besteld.

27 Bevestig het vereiste aantal kanaalsecties aan de luchtverdeelbox.

28 Bevestig de luchtverdeelbox met de 4 meegeleverde schroeven door de dakeenheid heen aan het plafond. Draai de schroeven vast met een momentsleutel en een aanhaalmoment van  $2.5 \text{ Nm} \pm 0.3 \text{ Nm}$ .

afb. 15 op pagina 7

29 Druk het filter er weer helemaal in.

afb. 16 op pagina 7

30 Klik de centrale afdekking op de luchtverdeelbox.

afb. 17 op pagina 8

31 Informeer bij de voertuigfabrikant of na de installatie van een dakairconditioning een keuring vereist is en of de voertuighoogte in de voertuigpapieren moet worden gewijzigd:

- FreshJet FJX4233, FreshJet FJX4333, FreshJet FJX7333: Opbouwhoogte 225 mm
- FreshJet FJX7337: Opbouwhoogte 240 mm
- FreshJet FJX7457: Opbouwhoogte 283 mm

De montage is nu voltooid.

Sluit de dakairconditioning aan op de stroomvoorziening en test of de dakairconditioning werkt.

## 11 Schakelschema's

### FJX4233M

afb. 18 op pagina 8

### FJX4233E, FJX4333E(EH), FJX7333IHP

afb. 19 op pagina 9

### FJX7337IHP, FJX7457IHP

afb. 20 op pagina 9

**Luchtverdeelbox**

afb. 21 op pagina 10

## 12 Verwijdering



Gooi het verpakkingsmateriaal indien mogelijk altijd in recyclingafvalbakken. Vraag het dichtstbijzijnde recyclingcentrum of uw dealer naar informatie over hoe het product kan worden weggegooid in overeenstemming met alle van toepassing zijnde nationale en lokale regelgeving.





Bescherm het milieu! Accu's en batterijen horen niet thuis in het huishoudelijke afval. Geef uw defecte accu's of verbruikte batterijen af bij de leverancier of bij een verzamelpunt.


## 13 Technische gegevens

Bevat gefluoreerde broeikasgassen. Hermetisch afgesloten systeem.

	<b>FreshJet FJX4233M</b>
Koelvermogen volgens ISO 5151:	1500 W
AC-ingangsspanning:	220 V ... 240 V / 50 Hz
Nominale stroom koeling:	< 3.3 A
Benodigde zekering:	4 A
Bedrijfstemperatuurbereik:	- 2 °C ... 52 °C
Koelmiddel:	R410a
Koelmiddelhoeveelheid:	380 g
CO <sub>2</sub> -equivalent:	0.793 t
Aardopwarmingsvermogen (GWP):	2088
Beschermingsgraad (dakeenhed):	IPX4
Geluidsniveau (hoogste ventilatorinstelling)	< 70 dB(A)
Aanbevolen max. voertuiglengte (met geïsoleerde wanden):	< 5 m
Afmetingen l x b x h:	afb. 22
Gewicht:	< 30 kg



<b>FreshJet FJX4233M</b>			
Keuring/certificering:			
	<b>FreshJet FJX4233EEH</b>	<b>FreshJet FJX4333EEH</b>	<b>FreshJet FJX4333E</b>
Koelvermogen volgens ISO 5151:	1700 W	2200 W	2200 W
Verwarmingsvermogen volgens ISO 5151:	800 W	1000 W	-
AC-ingangsspanning:	220 V ... 240 V / 50 Hz		
Nominale stroom koeling:	3.6 A	4.8 A	4.8 A
Nominale stroom verwarming:	< 5.2 A	< 5.2 A	-
Benodigde zekering:	4 A	5 A	6 A
Bedrijfstemperatuurbereik:	- 2 °C ... 52 °C		
Koelmiddel:	R32		
Koelmiddelhoeveelheid:	320 g	360 g	360 g
CO <sub>2</sub> -equivalent:	0.216 t	0.243 t	0.243 t
Aardopwarmingsvermogen (GWP):	675		
Beschermingsgraad (dakeenhed):	IPX4		
Geluidsniveau (hoogste ventilatorinstelling)	< 70 dB(A)		
Aanbevolen max. voertuiglengte (met geïsoleerde wanden):	< 6 m	< 7 m	< 7 m
Afmetingen l x b x h:	afb. <b>23</b>		
Gewicht:	< 30 kg	< 30 kg	< 30 kg
Keuring/certificering:			
	<b>FreshJet FJX7333IHP</b>	<b>FreshJet FJX7337IHP</b>	<b>FreshJet FJX7457IHP</b>
Koelvermogen volgens ISO 5151:	2200 W	3000 W	3500 W

	Freshjet FJX7333IHP	Freshjet FJX7337IHP	Freshjet FJX7457IHP
Verwarmingsvermogen volgens ISO 5151:	2000 W	2500 W	3000 W
AC-ingangsspanning:	220 V ... 240 V / 50 Hz ... 60 Hz	220 V ... 240 V / 50 Hz ... 60 Hz	220 V ... 240 V / 50 Hz ... 60 Hz
Nominale stroom koeling:	< 7.5 A	< 7.5 A	< 7.5 A
Nominale stroom verwarming:	< 6.1 A	< 6.1 A	< 6.1 A
Benodigde zekering:	6 A	6 A	6 A
Bedrijfstemperatuurbereik:	- 2 °C ... 52 °C	- 2 °C ... 52 °C	- 2 °C ... 52 °C
Koelmiddel:	R32	R32	R32
Koelmiddelhoeveelheid:	420 g	480 g	650 g
CO <sub>2</sub> -equivalent:	0.2835 t	0.3240 t	0.43875 t
Aardopwarmingsvermogen (GWP):		675	
Beschermingsgraad (dakeenheid):		IPX4	
Geluidsniveau (hoogste ventilatorinstelling)		< 70 dB(A)	
Aanbevolen max. voertuiglengte (met geïsoleerde wanden):	< 7 m	< 7 m	> 8 m
Afmetingen l x b x h:	afb. <b>23</b>	afb. <b>24</b>	afb. <b>25</b>
Gewicht:	< 30 kg	< 35 kg	< 40 kg
Keuring/certificering:			

## Danish

1	Important notes.....	97
2	Forklaring af symboler.....	97
3	Mål-grupper.....	98
4	Sikkerhedshenvisninger.....	98
5	Leveringsomfang.....	99
6	Tilbehør.....	100
7	Korrekt brug.....	100
8	Forklaringer af symbolerne på apparatet.....	100
9	Tekniske grænser og betingelser.....	101
10	Montering.....	101
11	Strømskemaer.....	104
12	Bortskaffelse.....	105
13	Tekniske data.....	105

## 1 Important notes

Læs og følg alle disse anvisninger, retningslinjer og advarsler i denne produktvejledning grundigt for at sikre, at du altid installerer, bruger og vedligeholder produktet korrekt. Disse anvisninger SKAL opbevares sammen med dette produkt.

Ved at benytte produktet bekræfter du hermed, at du har læst alle anvisninger, retningslinjer og advarsler grundigt, og at du forstår og er indforstået med de vilkår og betingelser, der er fastlagt heri. Du er indforstået med kun at bruge dette produkt til det beregnede formål og anvendelse i overensstemmelse med anvisningerne, retningslinjerne og advarslerne i denne produktvejledning samt i overensstemmelse med alle de gældende love og forskrifter. Manglende læsning og ignorering af disse anvisninger og advarsler kan medføre kvæstelser på dig selv og andre, skade på dit produkt eller skade på anden ejendom i nærheden. Der tages forbehold for eventuelle ændringer og opdateringer af denne produktvejledning samt anvisningerne, retningslinjerne og advarslerne samt den tilhørende dokumentation. Se [documents.dometic.com](http://documents.dometic.com) for de nyeste produktinformationer.

## 2 Forklaring af symboler



**FARE!** Angiver en farlig situation, som medfører dødsfald eller alvorlig kvæstelse, såfremt den ikke undgås.



**ADVARSEL!** Angiver en farlig situation, som medfører dødsfald eller alvorlig kvæstelse, såfremt den ikke undgås.



**FORSIGTIG!** Angiver en farlig situation, som kan medføre mindre eller lette kvæstelser, såfremt den ikke undgås.



**VIGTIGT!** Angiver en farlig situation, som kan medføre mindre eller lette kvæstelser, såfremt den ikke undgås.



**Bemærk** Supplerende informationer om betjening af produktet.

### 3 Mål-grupper



Den elektriske strømforsyning skal tilsluttes af en kvalificeret elektriker, som har dokumenterede færdigheder og viden med hensyn til konstruktion og drift af elektrisk udstyr og elektriske installationer og har gennemgået sikkerhedsuddannelse til at identificere og undgå de implicerede farer.



Den mekaniske montering skal udføres af fagfolk, der er bekendt med konstruktionen og driften af udstyret og de involverede farer.

### 4 Sikkerhedshenvisninger



**ADVARSEL! Manglende overholdelse af disse advarsler kan medføre dødelige eller alvorlige kvæstelser.**

- Apparatet må kun repareres af kvalificeret personale, som kender de involverede risici og de relevante forskrifter. Ved ukorrekte reparationer kan der opstå alvorlige farer. Ved reparationer skal du henvende dig til serviceafdelingen i dit land ([sedometic.com/dealer](http://sedometic.com/dealer)).
- Apparatet skal installeres i overensstemmelse med nationale forskrifter for elektriske og mekaniske installationer.
- **EI-apparater er ikke legetøj.** Børn er ikke i stand til at vurdere farer, der udgår fra elektriske apparater. Lad ikke børn benytte elektriske apparater uden opsyn.
- Personer, der på grund af deres fysiske, sanse- eller mentale evner eller deres uerfarenhed og uvidenhed ikke er i stand til at anvende apparatet sikkert, bør kun anvende dette produkt under en ansvarlig persons opsyn eller anvisning.
- Løsn i tilfælde af brand **ikke** det øverste dæksel på apparatet. Anvend i stedet for tilladte brandslukningsmidler. Anvend ikke vand til slukning.
- Apparatet skal opbevares i et rum uden kontinuerligt åbne flammer (f.eks. et anvendt gasapparat) og antændingskilder (f.eks. en anvendt elvarmer).
- Apparatet skal opbevares vandret på et tørt, ventileret og afdækket sted.
- Apparatet må ikke gennembøres eller brændes.
- Vær opmærksom på, at kølemidler ikke nødvendigvis har en bestemt lugt.
- Tag klima anlægget skal monteret i et køretøj med et bundområde, der er større end 4 m<sup>2</sup>.



**FORSIGTIG! Manglende overholdelse af disse forsigtighedshenvisninger kan medføre mindre eller moderate kvæstelser.**

- Anvend kun apparatet, hvis huset og ledningerne er ubeskadigede.
- Anvend ikke apparatet i nærheden af antændelige væsker eller i lukkede rum.
- Kontrollér, at ingen brændbare genstande placeres eller monteres, hvor luften strømmer ud. Afsstanden skal være på min. 50 cm.
- Grib ikke ind i luftudtagene, og stik ikke fremmedlegemer ind i apparatet.
- Bær altid beskyttelsesbriller og -handsker.



### VIGTIGT! Fare for beskadigelse

- Apparatet fungerer optimalt ved 1020 mbar.
- Apparatet skal opbevares, så der ikke opstår mekaniske skader.
- Kontrollér, om komponenter i køretøjet kan blive beskadiget under monteringen (f.eks. lamper, skabe, døre osv.), før apparatet monteres. Køretøjsproducenten kan allerede have installeret punkter, hvor åbningen til monteringen af apparatet kan laves uden risiko for at svække karosseriet eller skære strømkabler over.
- Spørg køretøjsproducenten før monteringen, om karosseriet er beregnet til den statiske vægt og belastningerne på grund af tagklima anlægget, når køretøjet bevæger sig.
- Sørg for at tætte alle åbninger, når tagklima anlægget monteres.
- Vælg en flad og tilstrækkelig jævn zone i midten mellem to længdeprofiler i køretøjets tag som monteringssted.
- Monteringsfladens taghældning må ikke være på mere end 10 °.
- Kontrollér, at der i køretøjets indre ikke findes hindringer for at fastgøre luftfordelingsboksen og for, at den afkølede luft strømmer ud gennem de drejelige luftfordeleryser.
- Foretag ikke ændringer af apparatet eller ombygninger på det!
- Kør aldrig ind i vaskeanlæg, når apparatet er monteret.
- Hvis der opstår fejl i kølemiddelkredslobet, skal systemet kontrolleres af en specialvirksomhed og repareres korrekt.
- Kølemidlet må ikke lukkes ud i atmosfæren.
- Spørg køretøjsproducenten om, hvorvidt den angivne højde skal ændres i dit køretøjs indregistreringsattest som følge af monteringen af tagklima anlægget.

## 5 Leveringsomfang

Nr. på fig. <b>1</b> , fig. <b>2</b>	Antal	Beskrivelse
1	1	Tagenhed
2	1	Tagramme
3	1	Luftfordelingsboks (ADB)
4	1	Midterdæksel til ADB
5	4	Kanalafsnit
6	3	Kabelforbindelser
7	4	Fastgørelsesskruer
8	1	Boksafdækning
9	1	<b>Kun FreshJet FJX4233EEH/FJX4333E(EH)/FJX7333IHP/ FJX7337IHP/FJX7457IHP:</b> Fjernbetjening

## 6 Tilbehør

Kan fås som tilbehør (ikke indeholdt i leveringsomfanget):

Beskrivelse	Art.nr.
Forlængelse til kanalafsnit (hvert afsnit dækker yderligere) 10 mm	4450017931
Længere fastgørelsesskruer M6 x 160 mm (til 60 ... 120 mm tagtykkelse)	4450012023
Luftrenser	4450029486
Elvarmer	4450029487
ADB omgivelseslys	4450029488
Filtre til FreshJet FJX4233M	4450024007 4450024008
Filtre til FreshJet FJX4233EEH/FJX4333E(EH)/FJX7333IHP/FJX7337IHP/FJX7457IHP	4450025683

## 7 Korrekt brug

Tagklimaanelægget FreshJet FJX er kun beregnet til montering på en campingvogns eller en autocampers tag med henblik på køling.

Tagklimaanelægget er **ikke** egnet til toge, huse og lejligheder. Tagklimaanelægget er **ikke** egnet til montering i entreprenørmaskiner, landbrugsmaskiner eller lignende arbejdsudstyr.

Dette produkt er kun egnet til dets beregnede formål og anvendelse i overensstemmelse med disse anvisninger.

Denne vejledning giver dig oplysninger om, hvad der er nødvendigt med henblik på en korrekt montering og/eller drift af produktet. Dårlig montering og/eller ukorrekt drift eller vedligeholdelse medfører utilstrækkelig ydeevne og mulige fejl.

Producenten påtager sig intet ansvar for kvæstelser eller skader i forbindelse med produktet, der skyldes:

- ukorrekt samling eller forbindelse inklusive for høj spænding
- ukorrekt vedligeholdelse eller brug af uoriginale reservedele, der ikke stammer fra producenten
- ændringer på produktet uden udtrykkelig tilladelse fra producenten
- brug til andre formål end dem, der er beskrevet i vejledningen.

Dometic forbeholder sig ret til at ændre produktets udseende og produktspecifikationer.

## 8 Forklaringer af symbolerne på apparatet



Advarsel! Materiale, der brænder langsomt.



Læs betjeningsvejledningen.



Læs servicevejledningen.

## 9 Tekniske grænser og betingelser

Tagklimaanelægget er beregnet til køretøjer med tage, der har en tykkelse på 25 mm ... 60 mm. Tagklimaanelæggets funktion er garanteret ved omgivelsestemperaturer på mellem  $-2^{\circ}\text{C}$  ...  $52^{\circ}\text{C}$ . Tagklimaanelægget er designet til at blive monteret inden for  $\pm 10^{\circ}$  for det vandrette niveau. Tagklimaanelæggets ydeevne kan nedsættes, når det udsættes for kraftige vibrationer, f.eks. som følge af dårlige veje.

## 10 Montering



### FARE! Fare for elektrisk stød

- Den elektriske strømforsyning skal tilsluttes af en kvalificeret elektriker, som har dokumenterede færdigheder og viden med hensyn til konstruktion og drift af elektrisk udstyr og elektriske installationer og har gennemgået sikkerhedsuddannelse til at identificere og undgå de implicerede farer.
- Afbryd alle spændingsforsyninger, når der arbejdes på tagklimaanelægget.
- Kontrollér, at apparatet ikke kan tilsluttes igen.



### ADVARSEL! Fare for elektrisk stød

- Apparatet skal installeres i overensstemmelse med nationale forskrifter for ledningsføring.
- Følgende skal inkorporeres i den faste ledningsføring i overensstemmelse med reglerne for ledningsføringen: En alpolet afbrydelsesanordning, der som minimum har 3 mm afstande på alle poler, når der findes en lækagestrøm, der kan overskride 10 mA en fejlstrømsafbryder (FI-relæ) med den nominel driftsstrøm, der ikke overskrider 30 mA, en afbrydelse.
- Hvis apparatet erstatter et vindue eller en luge med en sikkerhedsrelevant tvungen ventilationsfunktion skal der installeres en ekstra sikkerhedsventilationsanordning (f.eks. en paddehatventilator eller lignende). Spørg køretøjsproducenten, hvis du er i tvivl.
- Efter installationen af tagklimaanelægget skal et udledningsrør i nærheden af tagklimaanelægget har en stigning på mindst 10 cm over det. Forlæng om nødvendigt udledningsrøret. Overhold anvisningerne fra producenten af varmeapparatet.



### FORSIGTIG! Vær opmærksom på kvæstelser

- En forkert montering af tagklimaanelægget kan føre til skader på apparatet, der ikke kan repareres, og kan reducere brugerens sikkerhed.
- Vær altid to om at bære eller løfte tagklimaanelægget.
- Når apparatet monteres (når der bores, skrues osv.), skal det før monteringen kontrolleres, at der ikke befinder sig kabelbundter, ledninger og andre komponenter, der ikke kan ses, i monteringsområdet.
- Fastgør og træk ledningerne, så man ikke kan falde over eller beskadige dem.
- Bær altid beskyttelsesbriller og -handsker.



### VIGTIGT! Fare for beskadigelse

- Apparatet er et forsegleet system med et lukket kølekredsløb. Det må ikke åbnes eller manipuleres.
- Anvend kabelkanaler til at trække kabler gennem vægge med skarpe kanter.
- Træk ikke ledninger løst eller med skarpe knæk ved elektrisk ledende materialer (metal).
- Træk ikke i kablerne.
- Kontrollér, at kabelføringen ikke udsættes for slid, korrosion, for kraftigt tryk, vibrationer, skarpe kanter eller andre negative miljøpåvirkninger. Kontrollen skal også omfatte påvirkningerne i forbindelse med ældning eller kontinuerlige vibrationer fra kilder som f.eks. kompressorer eller ventilatorer.
- Vær opmærksom på konstruktionsstyrken for køretøjets tag. Køretøjets tag skal kunne bære vægten af tagklimaanelægget uden at blive bulet eller deformeret. Spørg køretøjsproducenten, hvis du er i tvivl.



### Bemærk

- Du kan finde apparatets specifikationer i Tekniske data og på den følgende typemærkat: **3**
- Tagenhedens typemærkatfig. **3**
- Luftfordelingsboksens typemærkatfig. **4**



Find additional information on roof air conditioners in the operating manual, such as the technical description or the controls, see [documents.dometic.com/?object\\_id=75095](https://documents.dometic.com/?object_id=75095).



fig. **3** på side 2 fig. **4** på side 2

1. Vælg monteringsmåden for tagklimaanelægget:

- Lav en ny åbning. I dette tilfælde skal åbningen forstærkes med en passende ramme.
- Brug en eksisterende åbning i køretøjet som f.eks. en tagluger eller ved udskiftning af et gammelt tagklimaanelæg.

### Etablering af ny åbning

2. Vælg en zone på taget i midten mellem to længdeprofiler.

fig. **5** på side 2

3. Markér åbningens position og størrelse (400 × 400 mm).

4. Bor hjørnerne ud (**A**).



**VIGTIGT! Fare for beskadigelse** Kontrollér, at ingen strømkabler er beskadiget. Kontrollér, hvor de elektriske kabler findes.

fig. **6** på side 3

5. Skær åbningen i taget omhyggeligt ud med en stiksav eller lignende værktøj (**B**).

6. Kontrollér, om taghullet skal forstærkes.

7. Fjern om nødvendigt skummet i overensstemmelse med bredden på dine forstærkningslister (ikke med i leveringsomfanget) (**A**).

fig. **7** på side 3

8. Tilpas forstærkningsskinnerne (**B**).



### Montering i en eksisterende åbning

9. Fjern alle skruer og fastgørelser på den eksisterende tagluge eller klimaanlæg.

fig. 8 på side 3

10. Tag taglugen eller tagklimaanlægget ud.

11. Fjern tætningsmaterialet omkring åbningen med en skraber el. lign.

fig. 9 på side 3

### Trækning af tilslutningsledninger

12. Sammenlign spændingsoplysningerne på tagklimaanlæggets mærkeplade med energiforsyningen, der er til rådighed. Klimaanlægget til tagmontering skal tilsluttes til en strømkreds, der kan levere den påkrævede strøm (Tekniske data).

13. Sørg for, at strømforsyningen har et fejlstrømsrelæ (< 30 mA). Installer et fejlstrømsrelæ, såfremt det mangler.

14. Installer en kontakt, der afbryder alle poler, med en kontaktåbningsbredde på mindst 3 mm på monteringsstedet.

15. Vælg strømforsyningens kabeltværsnit i overensstemmelse med længden:

- Længde < 7.5 m: 1.5 mm<sup>2</sup>
- Længde > 7.5 m: 2.5 mm<sup>2</sup>

16. Lav en åbning på en side for at føre strømforsyningskablet igennem.

fig. 10 på side 3

17. Før strømforsyningskablet gennem åbningen og ind i køretøjets kabine.

### Montering af tagenheden

18. Sørg for at tætte omkring med et plastisk, ikke-hærdende butyltætningsmateriale (f.eks. SikaLastomer-710, Selsleys Butyl Mastic, Bostik ezycaulk butyltætningsmiddel eller tilsvarende produkter). Overhold tætningsmasseproducentens henvisninger.

fig. 11 på side 4

19. Vend tagrammen i forhold til åbningens størrelse.

20. Montér tagrammen i tagåbningen.

fig. 12 på side 4

21. Løft tagenheden op på køretøjets tag. Vær opmærksom på kørselsretningen.

22. Positionér tagenheden i tagrammen, og justér den i tagrammens rille. Brug hjørnerne på fronten af tagrammen for at fortage justering i tagrammens rille.

### Elektrisk tilslutning

23. Tilslut strømkablet.

fig. 13 på side 5

- Tilslut de tilhørende ledninger (1) til en kabelforbinder (2) an.
- Tilslut tagklimaanlægget til strømforsyningen.
- Tilslut jordkablet til køretøjets jordforbindelsessystem.

24. **Kun Freshjet FJX4233M:** Tilslut kablet mellem den eksterne enhed og luftboksdiffuseren.

- Tryk filteret lidt ud for at skabe en åbning til kommunikationskablet (3).
- Før kablet gennem åbningen, og find ledningen i åbningen.
- Tilslut kommunikationsstikket med 6 stikben til bøsningen på siden af displayet i luftfordelingsboksen. Sørg for, at kablet er placeret i den lille åbning, der vender væk fra filterområdet.
- Fastgør ekstra kabel i holderne.

25 **Kun FreshJet FJX4233EEH/FJX4333E(EH)/FJX7333IHP/FJX7337IHP/FJX7457IHP:**Tilslut kommunikationskablet.

- Tryk filteret lidt ud for at skabe en åbning til kommunikationskablet (4).
- Før kommunikationskablet gennem åbningen, og find ledningen i åbningen.
- Tilslut kommunikationsstikket med 4 stikben til bøsningen på siden af displayet i luftfordelingsboksen. Sørg for, at kablet er placeret i den lille åbning, der vender væk fra filterområdet.
- Fastgør ekstra kabel i holderne.

### Montering af luftfordelingsboksen

26 Stab kanalafsnittene, og anbring dem mod tagtykkelsen: Kontrollér, at kanalhøjden passer med taghøjden, eller brug tabellen som vejledning.

fig. 14 på side 6

Tagtykkelse	Antal kanalafsnit
25 ... 35 mm	1
35 ... 45 mm	2
45 ... 55 mm	3
55 ... 60 mm	4



**Bemærk** Ekstra kanalafsnit kan købes til tykkere tage.

27 Fastgør det påkrævede antal kanalafsnit på ADB.

28 Fastgør luftfordelingsboksen på loftsåbningen til tagenheden med de 4 medfølgende bolte. Spænd skruerne med en momentnøgle og et tilspændingsmoment på  $2.5 \text{ Nm} \pm 0.3 \text{ Nm}$ .

fig. 15 på side 7

29 Skub filteret helt ind og tilbage.

fig. 16 på side 7

30 Sæt midterdækslet på ADB.

fig. 17 på side 8

31 Spørg køretøjsproducenten for at afklare, om et teknisk eftersyn er nødvendigt efter installation af tagklima-lægget, og om højden, der er noteret i indregistreringspapirerne, skal ændres.

- FreshJet FJX4233, FreshJet FJX4333, FreshJet FJX7333: Forøget højde 225 mm
- FreshJet FJX7337: Forøget højde 240 mm
- FreshJet FJX7457: Forøget højde 283 mm

Monteringen er nu afsluttet.

Tilslut strømforsyningen, og kontrollér, om tagklima-lægget fungerer.

## 11 Strømskemaer

### FJX4233M

fig. 18 på side 8

**FJX4233E, FJX4333E(EH), FJX7333IHP**

fig. 19 på side 9

**FJX7337IHP, FJX7457IHP**

fig. 20 på side 9

**ADB**

fig. 21 på side 10

## 12 Bortskaffelse



Bortskaf så vidt muligt emballagen i affaldscontainerne til den pågældende type genbrugsaffald. Kontakt en lokal genbrugsstation eller din faghandel for at få de pågældende forskrifter om, hvordan du bortskaffer produktet i overensstemmelse med disse gældende forskrifter for bortskaffelse.



Beskyt miljøet! Genopladelige og ikke-genopladelige batterier hører ikke til i husholdningsaffaldet. Aflever defekte genopladelige batterier og brugte batterier hos forhandleren eller på et indsamlingssted.



## 13 Tekniske data

Indeholder fluorerede drivhusgasser. Hermetisk tætnet udstyr.

	<b>FreshJet FJX4233M</b>
Kølekapacitet i henhold til ISO 5151:	1500 W
AC-indgangsspænding:	220 V ... 240 V / 50 Hz
Mærkestrøm køling:	< 3.3 A
Påkrævet sikring:	4 A
Driftstemperaturområde:	- 2 °C ... 52 °C
Kølemiddel:	R410a
Kølemiddelmængde:	380 g
CO <sub>2</sub> -ækvivalent:	0.793 t
Drivhuspotentiale (GWP):	2088
Kapslingsklasse (tagenhed):	IPX4
Lydniveau (højeste ventilatorindstilling)	< 70 dB(A)

	<b>FreshJet FJX4233M</b>
Foreslået maks. køretøjslængde (med isolerede vægge):	< 5 m
Mål L x B x H:	fig. 22
Vægt:	< 30 kg
Godkendelse/certifikat:	

	<b>FreshJet FJX4233EEH</b>	<b>FreshJet FJX4333EEH</b>	<b>FreshJet FJX4333E</b>
Kølekapacitet i henhold til ISO 5151:	1700 W	2200 W	2200 W
Varmekapacitet i henhold til ISO 5151:	800 W	1000 W	-
AC-indgangsspænding:	220 V ... 240 V / 50 Hz		
Mærkestrøm køling:	3.6 A	4.8 A	4.8 A
Mærkestrøm opvarmning:	< 5.2 A	< 5.2 A	-
Påkrævet sikring:	4 A	5 A	6 A
Driftstemperaturområde:	- 2 °C ... 52 °C		
Kølemiddel:	R32		
Kølemiddelmængde:	320 g	360 g	360 g
CO <sub>2</sub> -ækvivalent:	0.216 t	0.243 t	0.243 t
Drivhuspotentiale (GWP):	675		
Kapslingsklasse (tagenhed):	IPX4		
Lydniveau (højeste ventilatorindstilling)	< 70 dB(A)		
Foreslået maks. køretøjslængde (med isolerede vægge):	< 6 m	< 7 m	< 7 m
Mål L x B x H:	fig. 23		
Vægt:	< 30 kg	< 30 kg	< 30 kg

	FreshJet FJX4233EEH	FreshJet FJX4333EEH	FreshJet FJX4333E
Godkendelse/certifikat:			
	FreshJet FJX7333IHP	FreshJet FJX7337IHP	FreshJet FJX7457IHP
Kølekapacitet i henhold til ISO 5151:	2200 W	3000 W	3500 W
Varmekapacitet i henhold til ISO 5151:	2000 W	2500 W	3000 W
AC-indgangsspænding:	220 V ... 240 V / 50 Hz ... 60 Hz	220 V ... 240 V / 50 Hz ... 60 Hz	220 V ... 240 V / 50 Hz ... 60 Hz
Mærkestrøm køling:	< 7.5 A	< 7.5 A	< 7.5 A
Mærkestrøm opvarmning:	< 6.1 A	< 6.1 A	< 6.1 A
Påkrævet sikring:	6 A	6 A	6 A
Driftstemperaturområde:	- 2 °C ... 52 °C	- 2 °C ... 52 °C	- 2 °C ... 52 °C
Kølemiddel:	R32	R32	R32
Kølemiddelmængde:	420 g	480 g	650 g
CO <sub>2</sub> ækvivalent:	0.2835 t	0.3240 t	0.43875 t
Drivhuspotentiale (GWP):	675		
Kapslingsklasse (tagenhed):	IPX4		
Lydniveau (højeste ventilatorindstilling)	< 70 dB(A)		
Foreslået maks. køretøjslængde (med isolerede vægge):	< 7 m	< 7 m	> 8 m
Mål L x B x H:	fig. <b>23</b>	fig. <b>24</b>	fig. <b>25</b>
Vægt:	< 30 kg	< 35 kg	< 40 kg
Godkendelse/certifikat:			

## Swedish

1	Important notes.....	108
2	Förklaring av symboler.....	108
3	Mål-grupper.....	109
4	Säkerhetsanvisningar.....	109
5	Leveransomfattning.....	110
6	Tillbehör.....	111
7	Avsedd användning.....	111
8	Förklaringar av symboler på apparaten.....	111
9	Tekniska gränser och förutsättningar.....	112
10	Installation.....	112
11	Kopplingsscheman.....	116
12	Avfallshantering.....	116
13	Tekniska data.....	116

## 1 Important notes

Läs och följ noggrant alla instruktioner, direktiv och varningar i den här produkthandboken för att säkerställa att du alltid installerar, använder och underhåller produkten på rätt sätt. Dessa instruktioner **MÅSTE** förvaras tillsammans med produkten.

Genom att använda produkten bekräftar du härmed att du noggrant har läst alla instruktioner, direktiv och varningar och att du förstår och är införstådd med att följa de villkor som anges här. Du är införstådd med att endast använda denna produkt i avsett syfte och i enlighet med instruktionerna, direktiven och varningarna som anges i denna produkthandbok samt i enlighet med alla gällande lagar och bestämmelser. Om du inte läser och följer instruktionerna och varningarna som anges här kan det leda till personskador på dig eller andra, på produkten eller annan egendom i närheten. Denna produkthandbok, inklusive instruktionerna, direktiven och varningarna samt relaterad information, kan ändras och uppdateras. För uppdaterad produktinformation, besök [documents.dometic.com](http://documents.dometic.com).

## 2 Förklaring av symboler



**FARA!** Anger en farlig situation som, om den inte kan undvikas, leder till döden eller allvarlig personskada.



**WARNING!** Anger en farlig situation som, om den inte kan undvikas, leder till döden eller allvarlig personskada.



**AKTA!** Anger en farlig situation som, om den inte kan undvikas, leder lindrig eller måttlig personskada.



**OBSERVERA!** Anger en farlig situation som, om den inte kan undvikas, leder lindrig eller måttlig personskada.



**Anvisning** Kompletterande information om användning av produkten.

### 3 Mål-grupper



Anslutningen av den elektriska strömförsörjningen måste utföras av en certifierad elektriker med belagda färdigheter och kunskaper om konstruktion och drift av elutrustningar samt installationer och som har genomgått en säkerhetsutbildning så att hen kan identifiera och undvika förknippade risker.



Den mekaniska installationen kan utföras av en kvalificerad person, som känner till utrustningens konstruktion och funktion och de faror som kan uppstå.

### 4 Säkerhetsanvisningar



**VARNING! Om man underlåter att följa de här varningarna kan följden bli dödsfall eller allvarlig personskada.**

- Reparation får endast genomföras av härför utbildad personal, som är förtrogen med de förbundna farorna och de gällande föreskrifterna. Icke fackmässiga reparationer kan medföra allvarliga risker. För reparationservice, kontakta servicecenter i ditt land (se [dometic.com/dealer](http://dometic.com/dealer)).
- Apparaten måste installeras enligt nationella bestämmelser om elektriska och mekaniska installationer.
- **Elektriska apparater är inga leksaker.** I samband med elektriska apparater kan det uppstå farliga situationer som barn är ovetande om. Låt inte barn använda elektriska apparater utan uppsikt.
- Personer som på grund av fysiska, sensoriska eller mentala funktionshinder eller på grund av oerfarenhet eller ovetande inte kan använda apparaten på ett säkert sätt, bör inte använda denna apparat utan uppsikt eller hjälp av en ansvarig person.
- Öppna **inte** den övre kåpan apparaten om en brand skulle bryta ut. Använd i stället godkända släckningsmedel. Använd inte vatten för att släcka elden.
- Apparaten ska förvaras i ett rum utan kontinuerlig användning av öppna flammor (t.ex. gasdrivna enheter) och tändningskällor (t.ex. elektriska värmare).
- Apparaten ska förvaras i horisontalt läge i ett torrt och väl ventilerat ställe med skydd mot väder och vind.
- Stick inte hål i eller bränn apparaten.
- Tänk på att kylmedel kanske inte luktar något.
- Den takmonterade klimatanläggningen ska installeras i ett fordon med golv större än 4 m<sup>2</sup>.



**AKTA! Om man underlåter att följa de här försiktighetsåtgärderna kan följden bli lindrig eller måttlig personskada.**

- Använd endast apparaten om höljet och kablarna är oskadade.
- Använd inte apparaten i närheten av antändliga vätskor eller i slutna utrymmen.
- Se till att inga brännbara föremål är monterade eller finns i närheten av luftutsläppet. Avståndet måste vara minst 50 cm.
- Stick inte in händerna i ventilationsöppningarna, stick inte in några främmande föremål i apparaten.
- Använd alltid skyddsglasögon och skyddshandskar.



### OBSERVERA! Risk för skada

- Apparaten fungerar optimalt vid 1020 mbar.
- Apparaten ska förvaras så att mekanisk skada undviks.
- Kontrollera alltid om fordonskomponenter kan skadas genom installationen av apparaten (t.ex. lampor, skåp, dörrar etc.) innan installationen görs. Eventuellt har fordonstillverkaren redan markerat punkter där man kan tillverka öppningen för att installera apparaten utan att man för den skull riskerar att försvaga konstruktionen eller kapa strömkablar.
- Kontrollera även, med hjälp av uppgifter från fordonstillverkaren, om konstruktionen är dimensionerad för den statiska vikten och belastningen som uppstår på grund av den takmonterade klimatanläggningen i körande fordon.
- Täta alla öppningar som görs för installationen av den takmonterade klimatanläggningen.
- Välj en plan och tillräckligt jämn yta mellan två längdprofiler på mitten av fordonstaket för monteringen.
- På monteringsytan får taklutningen inte vara större än 10 °.
- Se till att det inte föreligger några hinder för monteringen av luftfördelningslådan eller att den kylda luften kan strömma ut fritt ur de vridbara luftmunstyckena.
- Gör inga ändringar eller ombyggnader på apparaten!
- Kör aldrig genom en biltvättanläggning om en klimatanläggning har monterats på husbilens tak.
- Om det uppstår fel i kylkretsloppet måste anläggningen provas och repareras av behöriga installatörer.
- Köldmediet får absolut inte släppas ut i atmosfären.
- Fråga fordonstillverkaren om höjden som står i din fordonsdokumentation måste ändras på grund av installationen av den takmonterade klimatanläggningen.

## 5 Leveransomfattning

Nr i bild: <b>1</b> , bild. <b>2</b>	Mängd	Beskrivning
1	1	Takenhet
2	1	Takram
3	1	Luftfördelningslåda (ADB)
4	1	ADB-mittkåpa
5	4	Rörsegment
6	3	Kabelklämmor
7	4	Fästskruvar
8	1	Lock
9	1	<b>Bara FreshJet FJX4233EEH/FJX4333E(EH)/FJX7333IHP/ FJX7337IHP/FJX7457IHP:Fjärrkontroll</b>



## 6 Tillbehör

Följande tillbehör finns tillgängliga (ingår inte i leveransen):

Beskrivning	Art.nr
Förlängda rörsegment (varje segment täcker ytterligare 10 mm)	4450017931
Längre fästskruvar M6 x 160 mm (för 60 ... 120 mm taktjocklek)	4450012023
Luftrenare	4450029486
Elektrisk värmare	4450029487
ADB bakgrundsbelysning	4450029488
Filter för FreshJet FJX4233M	4450024007 4450024008
Filter för FreshJet FJX4233EEH/FJX4333E(EH)/FJX7333IHP/FJX7337IHP/FJX7457IHP	4450025683

## 7 Avsedd användning

Den takmonterade klimatanläggningen FreshJet FJX är endast avsedd för installation på ett tak på en husvagn eller husbil för kylning.

Den takmonterade klimatanläggningen är **inte** lämplig för tåg, hus och lägenheter. Den takmonterade klimatanläggningen är **inte** lämplig för byggmaskiner, jordbruksmaskiner eller andra arbetsmaskiner.

Den här produkten lämpar sig endast för avsedd användning i enlighet med denna bruksanvisning.

Den här manualen informerar om vad som krävs för att installera och/eller använda produkten på rätt sätt. Felaktig installation och/eller användning eller felaktigt underhåll kommer leda till att produkten inte fungerar optimalt och riskerar gå sönder.

Tillverkaren åtar sig inget ansvar för personskador eller materiella skador på produkten som uppstår till följd av:

- Felaktig montering eller anslutning, inklusive för hög spänning
- Felaktigt underhåll eller användning av reservdelar som inte är originaldelar från tillverkaren
- Ändringar som utförts utan uttryckligt medgivande från tillverkaren
- Användning för andra ändamål än de som beskrivs i denna bruksanvisning

Dometic förbehåller sig rätten att ändra produktens utseende och specifikationer.

## 8 Förklaringar av symboler på apparaten



Varning! Material med låg förbränningshastighet.



Läs bruksanvisningen.



Läs servicemanualen.

## 9 Tekniska gränser och förutsättningar

Den takmonterade klimatanläggningen är avsedd för fordon med en taktjocklek på 25 mm ... 60 mm. Den takmonterade klimatanläggningen har en garanterad funktion vid temperaturer på mellan  $-2^{\circ}\text{C}$  ...  $52^{\circ}\text{C}$ . Den takmonterade klimatanläggningen är konstruerad för att monteras horisontalt inom  $\pm 10^{\circ}$ . Effekten på den takmonterade klimatanläggningen kan reduceras om den utsätts för starka vibrationer, t.ex. vid dåliga vägförhållanden.

## 10 Installation



### **FARA! Risk för dödsfall på grund av elektricitet**

- Anslutningen av den elektriska strömförsörjningen måste utföras av en certifierad elektriker med belagda färdigheter och kunskaper om konstruktion och drift av elutrustningar samt installationer och som har genomgått en säkerhetsutbildning så att hen kan identifiera och undvika förknippade risker.
- Stäng alltid av hela strömförsörjningen innan arbeten utförs på den takmonterade klimatanläggningen.
- Säkerställ att apparaten inte kan återinkopplas.



### **VARNING! Risk för dödsfall på grund av elektricitet**

- Apparaten måste installeras enligt nationella bestämmelser om kabeldragning.
- Följande måste integreras i den fasta ledningsdragningen, enligt bestämmelserna för elledningar: En allpolig fränkopplingsanordning som har minst 3 mm utrymme i alla poler; vid läckström som kan överskrida 10 mA en jordfelsbrytare (RCD) med en nominell restström som inte överskrider 30 mA; en brytare.
- Om apparaten ersätter ett fönster eller en lucka med säkerhetsrelevanta ventilationsfunktioner ska en extra ventilationsanordning monteras (t.ex. en svampfläkt eller liknande). Kontakta tillverkaren i tveksamma fall.
- Efter installationen av den takmonterade klimatanläggningen måste det finnas en frånluftsventil i närheten av den takmonterade klimatanläggningen, som ligger minst 10 cm ovanför den. Vid behov, förläng frånluftsventilen. Beakta anvisningarna från tillverkaren.

**AKTA! Risk för skador**

- Om den takmonterade klimatanläggningen monteras på ett felaktigt sätt kan det leda till att apparaten förstörs och/eller det kan påverka säkerheten.
- Den takmonterade klimatanläggningen ska alltid bäras eller lyftas av två personer.
- Före installationen, kontrollera existerande kablar, ledningar och andra komponenter, speciellt sådana som inte är synliga, vid installationen av apparaten (vid borring, skruvning etc.).
- Sätt fast och dra kablarna så att ingen kan snubbla över dem och så att kablarna inte kan skadas.
- Använd alltid skyddsglasögon och skyddshandskar.

**OBSERVERA! Risk för skada**

- Apparaten är ett forseglat system med ett slutet kylkretslopp. Öppna eller manipulera inte systemet.
- Använd kabelkanaler för att dra kablar genom väggar med vassa kanter.
- Lägg inte kablarna löst eller med skarpa böjar på elektriskt ledande material (metall).
- Dra inte i kablarna.
- Kontrollera att kablarna inte kan utsättas för slitage, korrosion, stort tryck, vibrationer, vassa kanter eller andra ogynnsamma förhållanden. Vid kontrollen, ta även hänsyn till påverkan från åldrande eller kontinuerliga vibrationer från t.ex. kompressorer eller fläktar.
- Beakta fordonstaketets statiska egenskaper. Taket på fordonet måste kunna bära den takmonterade klimatanläggningens vikt utan att bukta ned eller deformeras. Kontakta tillverkaren i tveksamma fall.

**Anvisning**

- Du hittar apparatens specifikationer i Tekniska data och på följande typetiketter:
- Typetikett på takenhetbild. **3**
- Typetikett ADBbild. **4**



Find additional information on roof air conditioners in the operating manual, such as the technical description or the controls, see [documents.dometic.com/?object\\_id=75095](https://documents.dometic.com/?object_id=75095).



bild. **3** sida 2 bild. **4** sida 2

1. Välj på vilket sätt du vill montera den takmonterade klimatanläggningen:
  - Gör en ny öppning. I det här fallet måste man stärka öppningen med en lämplig ram.
  - Använd en befintlig öppning i fordonet, som t.ex. en taklucka, eller byt ut en gammal takmonterad klimatanläggning.

**Göra en ny öppning**

2. Välj ett område mitt på taket mellan två längdprofiler.

bild. **5** sida 2

3. Markera positionen och storleken på öppningen (400 × 400 mm).

#### 4. Borra hörnen (A).



**OBSERVERA! Risk för skada** Se till att inga elkablar skadas. Kontrollera var elkablarna sitter.

bild: **6** sida 3

#### 5. Skär noggrant ut en öppning i taket med en sticksåg eller ett dylikt verktyg (B).

#### 6. Kontrollera om taköppningen måste förstärkas.

#### 7. Ta vid behov bort en del av skumfyllningen så att det motsvarar förstärkningslisternas bredd (ingår ej i leveransen) (A).

bild: **7** sida 3

#### 8. Montera in förstärkningslisterna (B).

### Installera i en befintlig öppning

#### 9. Ta bort alla skruvar och fixturer från den befintliga takluckan eller klimatanläggningen.

bild: **8** sida 3

#### 10. Ta ut takluckan eller den takmonterade klimatanläggningen.

#### 11. Ta bort tätningmaterialet runt öppningen med hjälp av en skrapa el. dyl.

bild: **9** sida 3

### Dra anslutningskablarna

#### 12. Kontrollera att spänningssuppgifterna på den takmonterade klimatanläggningens typskylt stämmer överens med elförsörjningen på plats. Den takmonterade klimatanläggningen måste anslutas till en strömkrets som kan leverera den ström som krävs (Tekniska data).

#### 13. Kontrollera att elförsörjningen har en jordfelsbrytare (< 30 mA). Installera en jordfelsbrytare om den saknas.

#### 14. Installera en allpolig brytare med en kontaktoppningsbredd på minst 3 mm på monteringsidan.

#### 15. Välj rätt kabelarea till elförsörjningen med hänsyn till kabelns längd:

- Längd < 7.5 m: 1.5 mm<sup>2</sup>
- Längd > 7.5 m: 2.5 mm<sup>2</sup>

#### 16. Gör en öppning på ena sidan för att kunna dra igenom elförsörjningskabeln.

bild: **10** sida 3

#### 17. Dra elförsörjningskabeln genom öppningen till innerutrymmet.

### Installera takenheten

#### 18. Täta kring takramen med en flexibel icke-härdande butyl-tätningssmassa (t.ex. SikaLastomer-710, Selleys Butyl Mastic, Bostik ezycaulk butyl-tätningssmassa eller liknande produkter). Följ även anvisningarna från tätningssmedlets tillverkare.

bild: **11** sida 4

#### 19. Anpassa takramen efter öppningsstorleken.

#### 20. Sätt in takramen i taköppningen.

bild: **12** sida 4

#### 21. Lyft upp takenheten på fordonstaket. Beakta färdriktningen.

#### 22. Placera takenheten i takramen och rikta in den i takramens spår. Använd hörnen framtill på takramen för att rikta in den i takramens spår.

## Strömförbindelse

23 Anslut elförsörjningskabeln.

bild. **13** sida 5

- Anslut ledningarna **(1)** till en kabelklämma **(2)**.
- Anslut den takmonterade klimatanläggningen till elförsörjningen.
- Anslut jordkabeln till fordonets jordningssystem.

24 **Bara FreshJet FJX4233M**: Anslut kabeln mellan den externa enheten och luftspridningslådan.

- Dra ut filtret något för att skapa ett tomrum för kommunikationskabeln **(3)**.
- Dra kabeln genom tomrummet och placera ledningen i öppningen.
- Anslut 6-stifts kommunikationskontakten till uttaget på displayens sida i luftfördelningslådan. Kontrollera att kabeln är placerad i den lilla öppningen på avstånd från filterområdet.
- Lås fast den överblivna kabeln i hållarna.

25 **Bara FreshJet FJX4233EEH/FJX4333E(EH)/FJX7333IHP/FJX7337IHP/FJX7457IHP**: Anslut kommunikationskabeln.

- Dra ut filtret något för att skapa ett tomrum för kommunikationskabeln **(4)**.
- Mata kommunikationskabeln genom tomrummet och placera ledningen i öppningen.
- Anslut 4-stifts kommunikationskontakten till uttaget på displayens sida i luftfördelningslådan. Kontrollera att kabeln är placerad i den lilla öppningen på avstånd från filterområdet.
- Lås fast den överblivna kabeln i hållarna.

## Installera luftfördelningslådan

26 Stapla rörsegmenten och placera dem så att det överensstämmer med takets tjocklek: Säkerställ att rörhöjden överensstämmer med takets tjocklek eller använd tabellen.

bild. **14** sida 6

Takets tjocklek	Antal kanalsegment
25 ... 35 mm	1
35 ... 45 mm	2
45 ... 55 mm	3
55 ... 60 mm	4



**Anvisning** Det går att köpa fler kanalsegment för tjockare tak.

27 Sätt fast nödvändigt antal kanalsegment ADB-enheten.

28 Sätt fast luftfördelningslådan i taket genom takenheten med de medföljande 4 skruvarna. Dra åt skruvarna med en momentnyckel, åtdragningsmoment  $2.5 \text{ Nm} \pm 0.3 \text{ Nm}$ .

bild. **15** sida 7

29 Tryck tillbaka filtret hela vägen in.

bild. **16** sida 7

30 Kläm fast mittkåpan för ADB-enheten.

bild. **17** sida 8

31. Fråga fordonstillverkaren om uppgifterna för fordonets höjd måste ändras i fordonshandlingarna, eller om en ny besiktning måste göras efter inbyggnad av den takmonterade klimatanläggningen:

- FreshJet FJX4233, FreshJet FJX4333, FreshJet FJX7333: Ökad höjd 225 mm
- FreshJet FJX7337: Ökad höjd 240 mm
- FreshJet FJX7457: Ökad höjd 283 mm

☒ Nu är installationen klar.

Anslut elförsörjningen och testa om den takmonterade klimatanläggningen fungerar.

## 11 Kopplingscheman

### FJX4233M

bild. **18** sida 8

### FJX4233E, FJX4333E(EH), FJX7333IHP

bild. **19** sida 9

### FJX7337IHP, FJX7457IHP

bild. **20** sida 9

### ADB

bild. **21** sida 10

## 12 Avfallshantering



Placera förpackningsmaterialet i motsvarande återvinningsbehållare om möjligt. Konsultera ett lokalt återvinningscenter eller en specialiserad återförsäljare för information om hur man bortkaffar produkten i enlighet med tillämpliga bortskaffningsförfordningar.




Skydda miljön! Varken laddningsbara batterier eller andra batterier hör hemma i hushållssoporna. Lämna dina förbrukade eller defekta (laddningsbara) batterier till återförsäljaren eller till ett insamlingsställe.


## 13 Tekniska data

Innehåller fluorerade växthusgaser. Hermetiskt tillsluten utrustning.

	<b>FreshJet FJX4233M</b>
Kyleffekt enligt ISO 5151:	1500 W
AC ingångsspänning:	220 V ... 240 V / 50 Hz
Märkström kylning:	< 3.3 A

	<b>FreshJet FJX4233M</b>
Säkringskrav:	4 A
Omgivningstemperatur:	- 2 °C ... 52 °C
Köldmedium:	R410a
Köldmediemängd:	380 g
CO <sub>2</sub> motsvarande:	0.793 t
Global uppvärmningspotential (GWP):	2088
Skyddsklass (takenhet):	IPX4
Bullernivå (högsta fläktläge)	< 70 dB(A)
Rekommenderad max. fordonslängd (med isolerade väggar):	< 5 m
Mått L x B x H:	bild. <b>22</b>
Vikt:	< 30 kg
Provning/certifikat:	

	<b>FreshJet FJX4233EEH</b>	<b>FreshJet FJX4333EEH</b>	<b>FreshJet FJX4333E</b>
Kyleffekt enligt ISO 5151:	1700 W	2200 W	2200 W
Värmeeffekt enligt ISO 5151:	800 W	1000 W	-
AC ingångsspänning:	220 V ... 240 V / 50 Hz		
Märkström kylning:	3.6 A	4.8 A	4.8 A
Märkström värme:	< 5.2 A	< 5.2 A	-
Säkringskrav:	4 A	5 A	6 A
Omgivningstemperatur:	- 2 °C ... 52 °C		
Köldmedium:	R32		
Köldmediemängd:	320 g	360 g	360 g
CO <sub>2</sub> motsvarande:	0.216 t	0.243 t	0.243 t
Global uppvärmningspotential (GWP):	675		

	FreshJet FJX4233EEH	FreshJet FJX4333EEH	FreshJet FJX4333E
Skyddsklass (takenhet):	IPX4		
Bullernivå (högsta fläktläge)	< 70 dB(A)		
Rekommenderad max. fordonslängd (med isolerade väggar):	< 6 m	< 7 m	< 7 m
Mått L x B x H:	bild. <b>23</b>		
Vikt:	< 30 kg	< 30 kg	< 30 kg
Provning/certifikat:			

	FreshJet FJX7333IHP	FreshJet FJX7337IHP	FreshJet FJX7457IHP
Kyleffekt enligt ISO 5151:	2200 W	3000 W	3500 W
Värmeeffekt enligt ISO 5151:	2000 W	2500 W	3000 W
AC ingångsspänning:	220 V ... 240 V / 50 Hz ... 60 Hz	220 V ... 240 V / 50 Hz ... 60 Hz	220 V ... 240 V / 50 Hz ... 60 Hz
Märkström kylning:	< 7.5 A	< 7.5 A	< 7.5 A
Märkström värme:	< 6.1 A	< 6.1 A	< 6.1 A
Säkringskrav:	6 A	6 A	6 A
Omgivningstemperatur:	- 2 °C ... 52 °C	- 2 °C ... 52 °C	- 2 °C ... 52 °C
Köldmedium:	R32	R32	R32
Köldmediemängd:	420 g	480 g	650 g
CO <sub>2</sub> motsvarande:	0.2835 t	0.3240 t	0.43875 t
Global uppvärmningspotential (GWP):	675		
Skyddsklass (takenhet):	IPX4		
Bullernivå (högsta fläktläge)	< 70 dB(A)		
Rekommenderad max. fordonslängd (med isolerade väggar):	< 7 m	< 7 m	> 8 m
Mått L x B x H:	bild. <b>23</b>	bild. <b>24</b>	bild. <b>25</b>
Vikt:	< 30 kg	< 35 kg	< 40 kg



	FreshJet FJX7333IHP	FreshJet FJX7337IHP	FreshJet FJX7457IHP
Provning/certifikat:			

## Norwegian

1	Important notes.....	120
2	Symbolforklaring.....	120
3	Målgrupper.....	121
4	Sikkerhetsanvisninger.....	121
5	Leveringsomfang.....	122
6	Tilbehør.....	123
7	Forskriftsmessig bruk.....	123
8	Symbolforklaring på apparatet.....	123
9	Tekniske begrensninger og betingelser.....	124
10	Installasjon.....	124
11	Koblings skjemaer.....	128
12	Avfallshåndtering.....	128
13	Tekniske spesifikasjoner.....	128

## 1 Important notes

Vennligst les disse instruksjonene nøye og følg alle anvisninger, retningslinjer og advarsler i denne produktveiledningen for å sikre at du installerer, bruker og vedlikeholder produktet ordentlig til enhver tid. Disse instruksjonene MÅ alltid følge med produktet.

Ved å bruke dette produktet bekrefter du at du har lest alle anvisninger, retningslinjer og advarsler grundig, og at du forstår og samtykker i å overholde vilkårene slik de er presentert her. Du godtar å bruke dette produktet kun til tiltenkt formål og bruksområder, og i samsvar med anvisningene, retningslinjene og advarslene slik de er presentert i denne produktveiledningen, så vel som i samsvar med alle gjeldende lovbestemmelser og forskrifter. Hvis anvisningene og advarslene som er presentert her, ikke blir lest og fulgt, kan det føre til personskader hos deg selv eller andre, skader på produktet eller skader på annen eiendom i nærheten. Denne produktveiledningen med sine anvisninger, retningslinjer og advarsler, samt relatert dokumentasjon, kan være underlagt endringer og oppdateringer. For oppdatert produktinformasjon, se [documents.dometic.com](http://documents.dometic.com).

## 2 Symbolforklaring



**FARE!** Kjentetegner en farlig situasjon som, dersom den ikke unngås, vil føre til alvorlige personskader, eventuelt med døden til følge.



**ADVARSEL!** Kjentetegner en farlig situasjon som, dersom den ikke unngås, vil føre til alvorlige personskader, eventuelt med døden til følge.



**FORSIKTIG!** Kjentetegner en farlig situasjon som - dersom den ikke unngås - kan resultere i mindre til moderate personskader.



**PASS PÅ!** Kjentetegner en farlig situasjon som - dersom den ikke unngås - kan resultere i mindre til moderate personskader.



**Merk** Ytterligere informasjon om betjening av produktet.

### 3 Målgrupper



Den elektriske strømforsyningen må opprettes av en kvalifisert fagelektriker som kan fremvise ferdigheter og kunnskaper knyttet til konstruksjon og drift av elektrisk utstyr og installasjoner, og har mottatt sikkerhetstrening for å kunne identifisere og unngå risikoer som er involvert.



Den mekaniske montasjonen må utføres av kvalifisert personell som er kjent med konstruksjonen og drift av utstyret så vel som risikoene dette innebærer.

### 4 Sikkerhetsanvisninger



**ADVARSEL! Manglende overholdelse av disse advarslene kan resultere i alvorlige personskader, eventuelt med døden til følge.**

- Reparasjon av apparatet må kun utføres av kvalifisert personell som er kjent med farene hhv. gjeldende forskrifter. Usakkyndige reparasjoner kan føre til alvorlige farer. Ved behov for reparasjon kontakter du servicestedene i ditt land (se [dometic.com/dealer](http://dometic.com/dealer)).
- Apparatet skal monteres i samsvar med nasjonale forskrifter for elektriske og mekaniske installasjoner.
- **Elektriske apparater er ikke leketøy.** Barn er ikke i stand til å bedømme farer forbundet med elektriske apparater. La ikke barn bruke elektriske apparater uten tilsyn.
- Personer som på grunn av sine fysiske, sensoriske eller mentale evner, eller på grunn av sin uerfarenhet og manglende kjennskap ikke er i stand til å bruke apparatet på en sikker måte, må ikke bruke dette apparatet uten oppsyn eller anvisning fra en ansvarlig person.
- **Ikke** åpne det øvre dekselet til apparatet i tilfelle brann. Bruk kun lovlig slukkemidler. Ikke bruk vann til slukking.
- Apparatet må oppbevares i et rom uten kontinuerlige åpne flammer (for eksempel et gassapparat i drift) og tennkilder (for eksempel et varmeelement i drift).
- Apparatet skal lagres horisontalt på et tørt, ventilert og tildekket sted.
- Ikke stikk hull på eller brenn apparatet.
- Vær oppmerksom på at kjølemidler ikke nødvendigvis avgir lukt.
- Takklimaanlegget skal installeres i et kjøretøy med en gulvplass på mer enn 4 m<sup>2</sup>.



**FORSIKTIG! Manglende overholdelse av disse forsiktighetsvarslene kan resultere i mindre til moderate personskader.**

- Bruk kun apparatet hvis du er sikker på at huset og kablene er uskadde.
- Plasser ikke apparatet i nærheten av lettantennelige væsker eller i lukkede rom.
- Påse at brennbare gjenstander ikke lagres eller monteres i nærheten av luftutløpene. Det må overholdes en avstand på minst 50 cm.
- Ta ikke inn i luftutløpene, og før ikke fremmedlegemer inn i apparatet.
- Benytt alltid vernebriller og vernehansker.



### PASS PÅ! Fare for skader

- Apparatet fungerer optimalt ved 1020 mbar.
- Apparatet skal lagres slik at man unngår at det oppstår mekaniske skader.
- Før montasjen må man undersøke om eventuelle kjøretøykomponenter kan bli skadet ved montering av enheten (f.eks. lamper, skap, dører). Kjøretøyprodusenten har kanskje allerede laget punkter hvor åpningen for montasje av apparatet kan foretas uten risiko for å svekke konstruksjonen eller kutte strømledninger.
- Før montasjen må du rådføre deg med kjøretøyprodusenten om karosseriet tåler den statiske vekten og belastningene fra takklimaenlegget når kjøretøyet er i bevegelse.
- Tett alle åpninger som er gjort under montering av takklimaenlegget.
- Som montasjested velger du et område som er flatt og jevnt midt på taket av kjøretøyet mellom to lengdeprofiler.
- Takhellingen til montasjeflaten må ikke være mer enn 10 °.
- Sørg for å få fastslått at det ikke er noe inne i kjøretøyet som hindrer feste av luftfordelingsboksen (ADB), eller at den avkjølte luften kan slippe ut gjennom de svingbare luftfordelingsdysene.
- Ikke foreta endringer eller ombygging av apparatet!
- Kjør aldri gjennom et automatisk vaskeanlegg dersom enheten er påmontert.
- Hvis det oppstår feil i kjølemiddelkretsløpet, må anlegget kontrolleres av fagfolk og settes forskriftsmessig i stand.
- Kjølemiddelet må under ingen omstendighet slippe ut i friluft.
- Spør kjøretøysprodusenten om høyden som er lagt inn i kjøretøysdokumentene, må endres på grunn av installasjonen av takklimaenlegget.

## 5 Leveringsomfang

Nr. i fig. <b>1</b> , fig. <b>2</b>	Antall	Beskrivelse
1	1	Hustakenhet
2	1	Takramme
3	1	Luftfordelingsboks (ADB)
4	1	ADB midtdeksel
5	4	Kanalavsnitt
6	3	Kabelkontakter
7	4	Festeskruer
8	1	Boksdeksel
9	1	<b>Kun FreshJet FJX4233EEH/FJX4333E(EH)/FJX7333IHP/ FJX7337IHP/FJX7457IHP:</b> Fjernkontroll

## 6 Tilbehør

Tilgjengelig som tilbehør (ikke inkludert i leveransen):

Beskrivelse	Art.nr.
Forlengende kanalavsnitt (hvert avsnitt dekker i tillegg 10 mm)	4450017931
Lengre festebolter M6 x 160 mm (for 60 ... 120 mm taktykkelse)	4450012023
Luftrensere	4450029486
Elektrisk varmeelement	4450029487
ADB omgivelseslys	4450029488
Filtre til FreshJet FJX4233M	4450024007 4450024008
Filtre til FreshJet FJX4233EEH/FJX4333E(EH)/FJX7333IHP/FJX7337IHP/FJX7457IHP	4450025683

## 7 Forskriftsmessig bruk

Takklimaanlegget FreshJet FJX er kun konstruert for montering på taket av en campingvogn eller et fritidskjøretøy for å gi kjøling.

Takklimaanlegget er **ikke** egnet for tog, hus og leiligheter. Takklimaanlegget er **ikke** egnet for montering i anleggsmaskiner, jordbruksmaskiner eller lignende anleggsutstyr.

Dette produktet er kun egnet for det tiltenkte formålet og bruksområdet i samsvar med disse instruksjonene.

Denne veiledningen gir informasjon som er nødvendig for korrekt installasjon og/eller bruk av produktet. Feilaktig installasjon og/eller ukorrekt bruk eller vedlikehold vil resultere i en utilfredsstillende ytelse og mulig svikt.

Produsenten fraskriver seg ethvert ansvar for personskader eller materielle skader på produktet som følge av:

- Ukorrekt montering eller tilkobling, inkludert for høy spenning
- Ukorrekt vedlikehold eller bruk av andre reservedeler enn originale reservedeler levert av produsenten
- Modifisering av produktet uten at det er gitt uttrykkelig godkjenning av produsenten
- Bruk til andre formål enn beskrevet i denne veiledningen

Dometic forbeholder seg rettigheten til å endre produktet ytre og produktspesifikasjoner.

## 8 Symbolforklaring på apparatet



Advarsel! Material med lav forbrenningshastighet.



Les bruksanvisningen.



Les servicehåndboken.

## 9 Tekniske begrensninger og betingelser

Takklimaanlegget er ment for kjøretøy med et tak med en tykkelse på 25 mm ... 60 mm. Funksjonen til takklimaanlegget er garantert for omgivelsestemperaturer mellom  $-2^{\circ}\text{C}$  ...  $52^{\circ}\text{C}$ . Takklimaanlegget er konstruert for montering innenfor  $\pm 10^{\circ}$  i forhold til horisontalt plan. Effekten til takklimaanlegget kan bli redusert hvis det utsettes for kraftige vibrasjoner, for eksempel forårsaket av dårlige veiforhold.

## 10 Installasjon



### **FARE! Fare for elektrisk støt**

- Den elektriske strømforsyningen må opprettes av en kvalifisert fagelektriker som kan fremvise ferdigheter og kunnskaper knyttet til konstruksjon og drift av elektrisk utstyr og installasjoner, og har tatt sikkerhetstrening for å kunne identifisere og unngå risikoer som er involvert.
- Ved arbeid på takklimaanlegget må alle spenningsforsyninger frakobles.
- Forsikre deg om at apparatet ikke kan tilkoples igjen.



### **ADVARSEL! Fare for elektrisk støt**

- Apparatet skal monteres i samsvar med nasjonale forskrifter for kabellegging.
- Følgende må integreres i den faste kablingen i samsvar med forskriftene for kabellegging: En flerpollet frakplingsenhet som har minst 3 mm klaringer på alle poler; ved en lekkasjestrøm som kan overskride 10 mA, en jordfeilenhet (RCD) som har en nominell restarbeidsstrøm som ikke overskrider 30 mA; en frakopling.
- Hvis apparatet erstatter et vindu eller en luke med en sikkerhetsrelevant tvungen ventilasjonsfunksjon, må det legges til en ekstra sikkerhetsventilasjonsenhet (f.eks. en tallerkenvifte eller lignende). Hvis du er i tvil må du rådføre deg med kjøretøyproduzenten.
- Etter montering av takklimaanlegget må en avgasspipe i nærheten av takklimaanlegget stige opp minst 10 cm over anlegget. Om nødvendig forlenger du avgasspipen. Følg også anvisningene fra produsenten av varmeelementet.



### FORSIKTIG! Fare for personskader

- Feil montering av takklimaenlegget kan føre til skader på apparatet som ikke lar seg reparere, og det kan gå ut over brukerens sikkerhet.
- Vær alltid til personer ved bæring eller løfting av takklimaenlegget.
- Før montasje må man sjekke plasseringen av eksisterende ledningsnett, kabler og andre komponenter i montasjeområdet, og da især de som ikke er synlige ved montasje av apparatet (ved boring eller skruing, etc.).
- Fest og legg ledningene slik at man ikke snubler i dem, og slik at man unngår å skade kabelen.
- Benytt alltid vernebriller og vernehansker.



### PASS PÅ! Fare for skader

- Apparatet er et lukket system med et lukket kjølekretsløp. Ikke åpne eller manipuler dette.
- Bruk kabelkanaler for å legge kabler gjennom vegger med skarpe kanter.
- Ikke legg ledninger løst eller skarpt bøyd på materiell som leder elektrisk strøm (metall).
- Ikke trekk i kablene.
- Kontroller at kabelleggingen ikke blir utsatt for slitasje, korrosjon, overdrevent trykk, vibrasjon, skarpe kanter eller andre skadelige effekter. Kontrollen skal også ta hensyn til effektene som følge av aldring eller kontinuerlig vibrasjon fra kilder som kompressorer eller vifter.
- Ta hensyn til stivheten til taket. Kjøretøytaket må tåle vekten av takklimaenlegget uten at det blir trykket inn eller deformert. Hvis du er i tvil må du rådføre deg med kjøretøyproduzenten.



### Merk

- Du finner apparatets spesifikasjoner i Tekniske spesifikasjoner og på følgende typeskilt:
- Hustakenhetens typeskiltfig. **3**
- Luftfordelingsboksens typeskiltfig. **4**



Find additional information on roof air conditioners in the operating manual, such as the technical description or the controls, see [documents.dometic.com/?object\\_id=75095](https://documents.dometic.com/?object_id=75095).



fig. **3** på side 2 fig. **4** på side 2

1. Velg din måte å montere takklimaenlegget på:

- Lag en ny åpning. I dette tilfellet må åpningen forsterkes med en passende ramme.
- Bruk en eksisterende åpning i kjøretøyet slik som en takluke eller utskifting av et gammelt takklimaenlegg.

### Lage ny åpning

2. Velg et område midt på taket mellom to lengdeprofiler.

fig. **5** på side 2

3. Marker plasseringen og størrelsen på åpningen (400 × 400 mm).

#### 4. Bor ut hjørnene (A).



**PASS PÅ! Fare for skader** Pass på at ingen strømkabler blir skadet. Sjekk hvor de elektriske kablene er plassert.

fig. 6 på side 3

#### 5. Sag ut åpningen på taket forsiktig med en stikksag el.l. (B).

6. Sjekk om takutsparringen må forsterkes.

#### 7. Fjern om nødvendig skummingen avhengig av bredden på forsterkingslistene (ikke inkludert) (A).

fig. 7 på side 3

#### 8. Tilpass forsterkingslistene (B).

### Montere i en eksisterende åpning

#### 9. Fjern alle skruer og fester på den eksisterende takluken eller klimaanlegget.

fig. 8 på side 3

#### 10. Ta ut takluken eller takklimaanlegget.

#### 11. Fjern tetningsmaterialet rundt åpningen med en skrape e.l.

fig. 9 på side 3

### Legge tilkoblingsledninger

#### 12. Kontroller at spenningsspesifikasjonen på takklimaanleggets dataskilt stemmer overens med den foreliggende strømforsyningen. Takklimaanlegget må kobles til en strømkurs som er i stand til å levere den nødvendige strømmen (Tekniske spesifikasjoner).

#### 13. Forsikre deg om at strømforsyningen har en jordfeilbryter (< 30 mA). Hvis den mangler, må du installere en jordfeilbryter.

#### 14. Installer en flerpolet bryter med en kontaktåpningsbredde på minst 3 mm på installasjonssiden.

#### 15. Velg diameter på strømkabelen i samsvar med ledningslengden:

- Lengde < 7,5 m: 1.5 mm<sup>2</sup>
- Lengde > 7,5 m: 2.5 mm<sup>2</sup>

#### 16. Lag en åpning på en side for å føre den strømforsyningskabelen gjennom.

fig. 10 på side 3

#### 17. Før strømforsyningskabelen gjennom åpningen og inn i kjøretøyet indre.

### Montere hustakenheten

#### 18. Tett rundt takrammen med plastisk, ikke-herdet butyltetningsstoff (f.eks. SikaLastomer-710, Selleys Butyl Mastic, Bostik ezycaulk butyltetningsstoff eller lignende produkter). Følg også tipsene fra produsenten av tetningsmidlet.

fig. 11 på side 4

#### 19. Orienter takrammen ut fra åpningens størrelse.

#### 20. Tilpass takrammen i takåpningen.

fig. 12 på side 4

#### 21. Løft hustakenheten opp på taket av kjøretøyet. Vær oppmerksom på kjøretøretningen.

#### 22. Plasser hustakenheten inn i takrammen og juster den inn i sporet på takrammen. For å justere i takrammens spor bruker du hjørnene på fronten av takrammen.



**Elektrisk tilkobling**

23 Koble til strømforsyningskabelen.

fig. 13 på side 5

- Koble tilhørende ledninger (1) til hver sin kabelklemme (2).
- Koble takklimaenlegget til strømforsyningen.
- Koble jordkabelen til kjøretøyets jordingssystem.

24 **Kun FreshJet FJX4233M:** Tilkoble kabelen mellom den eksterne enheten og luftfordeleren.

- Dra ut filteret litt for å skape litt plass for kommunikasjonskabelen (3).
- Før kabelen gjennom åpningen og plasser ledningen i åpningen.
- Koble den 6-polede kommunikasjonspuggen inn i kontakten på siden av displayet i ADB. Sørg for at kabelen er plassert i den smale åpningen som peker vekk fra filterområdet.
- Sikre overflødig kabel i holderne.

25 **Kun FreshJet FJX4233EEH/FJX4333E(EH)/FJX7333IHP/FJX7337IHP/FJX7457IHP:** Koble til kommunikasjonskabelen.

- Dra ut filteret litt for å skape litt plass for kommunikasjonskabelen (4).
- Før kommunikasjonskabelen gjennom åpningen og plasser ledningen i åpningen.
- Koble den 4-polede kommunikasjonspuggen inn i kontakten på siden av displayet i ADB. Sørg for at kabelen er plassert i den smale åpningen som peker vekk fra filterområdet.
- Sikre overflødig kabel i holderne.

**Montere ADB**

26 Stable kanalavsnittene og plasser dem opp mot taktykkelsen: Sørg for at kanalhøyden matcher takhøyden, eller bruk tabellen som veiledning.

fig. 14 på side 6

Taktykkelse	Antall kanalavsnitt
25 ... 35 mm	1
35 ... 45 mm	2
45 ... 55 mm	3
55 ... 60 mm	4



**Merk** Ekstra kanalavsnitt kan kjøpes for tykkere tak.

27 Fest det nødvendige antallet kanalavsnitt på ADB.

28 Fest ADB til taket gjennom hustakenheten med de 4 medleverte boltene. Trekk til skruene med en momentnøkkel og et tiltrekkingsmoment på  $2.5 \text{ Nm} \pm 0.3 \text{ Nm}$ .

fig. 15 på side 7

29 Trekk filteret helt inn igjen.

fig. 16 på side 7

30 Klips fast senterdekselet til ADB.

fig. 17 på side 8

31. Spør kjøretøyprodusenten om det er nødvendig med en teknisk inspeksjon etter montering av et takklimaenlegg, og om høyden som er oppført i vognkortet, må endres:

- FreshJet FJX4233, FreshJet FJX4333, FreshJet FJX7333: Monteringshøyde 225 mm
- FreshJet FJX7337: Monteringshøyde 240 mm
- FreshJet FJX7457: Monteringshøyde 283 mm

Montasjen er nå fullført.

Koble til strømforsyningen og sjekk om takklimaenlegget fungerer.

## 11 Koblingskjemaer

### FJX4233M

fig. 18 på side 8

### FJX4233E, FJX4333E(EH), FJX7333IHP

fig. 19 på side 9

### FJX7337IHP, FJX7457IHP

fig. 20 på side 9

### ADB

fig. 21 på side 10

## 12 Avfallshåndtering



Lever emballasje til resirkulering så langt det er mulig. For å kaste produktet endelig ta kontakt med det lokale resirkuleringscenteret eller faghandler om hvordan du kan gjøre dette i overensstemmelse med gjeldende avfallshåndteringsforskrifter.




Bevar miljøet! Batterier hører ikke hjemme i husholdningsavfallet. Lever defekte eller brukte batterier enten til forhandleren eller på en oppsamlingsstasjon.


## 13 Tekniske spesifikasjoner

Inneholder fluoriserte drivhusgasser. Hermetisk tett utstyr.

	<b>FreshJet FJX4233M</b>
Kjøleeffekt iht. ISO 5151:	1500 W
Vekselinngangsspenning:	220 V ... 240 V / 50 Hz
Nominell strøm, kjøling:	< 3.3 A

	<b>FreshJet FJX4233M</b>
Nødvendig sikringsstørrelse:	4 A
Driftstemperaturområde:	- 2 °C ... 52 °C
Kjølemiddel:	R410a
Kjølemiddelmengde:	380 g
CO <sub>2</sub> -ekvivalent:	0.793 t
GWP-verdi:	2088
Beskyttelsesklasse (hustakenhet):	IPX4
Støynivå (øverste vifteinnstilling)	< 70 dB(A)
Foreslått maks. kjøretøylengde (med isolerte vegger):	< 5 m
Mål L x B x H:	fig. 22
Vekt:	< 30 kg
Inspeksjon/sertifisering:	

	<b>FreshJet FJX4233EEH</b>	<b>FreshJet FJX4333EEH</b>	<b>FreshJet FJX4333E</b>
Kjøleeffekt iht. ISO 5151:	1700 W	2200 W	2200 W
Varmeeffekt iht. ISO 5151:	800 W	1000 W	-
Vekselinngangsspenning:	220 V ... 240 V / 50 Hz		
Nominell strøm, kjøling:	3.6 A	4.8 A	4.8 A
Nominell strøm, oppvarming:	< 5.2 A	< 5.2 A	-
Nødvendig sikringsstørrelse:	4 A	5 A	6 A
Driftstemperaturområde:	- 2 °C ... 52 °C		
Kjølemiddel:	R32		
Kjølemiddelmengde:	320 g	360 g	360 g
CO <sub>2</sub> -ekvivalent:	0.216 t	0.243 t	0.243 t
GWP-verdi:	675		

	FreshJet FJX4233EEH	FreshJet FJX4333EEH	FreshJet FJX4333E
Beskyttelsesklasse (hustakenhet):	IPX4		
Støynivå (øverste vifteinnstilling)	< 70 dB(A)		
Foreslått maks. kjøretøylengde (med isolerte vegger):	< 6 m	< 7 m	< 7 m
Mål L x B x H:	fig. 23		
Vekt:	< 30 kg	< 30 kg	< 30 kg
Inspeksjon/sertifisering:			

	FreshJet FJX7333IHP	FreshJet FJX7337IHP	FreshJet FJX7457IHP
Kjøleeffekt iht. ISO 5151:	2200 W	3000 W	3500 W
Varmeeffekt iht. ISO 5151:	2000 W	2500 W	3000 W
Vekselinngangsspenning:	220 V ... 240 V / 50 Hz ... 60 Hz	220 V ... 240 V / 50 Hz ... 60 Hz	220 V ... 240 V / 50 Hz ... 60 Hz
Nominell strøm, kjøling:	< 7.5 A	< 7.5 A	< 7.5 A
Nominell strøm, oppvarming:	< 6.1 A	< 6.1 A	< 6.1 A
Nødvendig sikringsstørrelse:	6 A	6 A	6 A
Driftstemperaturområde:	- 2 °C ... 52 °C	- 2 °C ... 52 °C	- 2 °C ... 52 °C
Kjølemiddel:	R32	R32	R32
Kjølemiddelmengde:	420 g	480 g	650 g
CO <sub>2</sub> -ekvivalent:	0.2835 t	0.3240 t	0.43875 t
GWP-verdi:	675		
Beskyttelsesklasse (hustakenhet):	IPX4		
Støynivå (øverste vifteinnstilling)	< 70 dB(A)		
Foreslått maks. kjøretøylengde (med isolerte vegger):	< 7 m	< 7 m	> 8 m
Mål L x B x H:	fig. 23	fig. 24	fig. 25

	<b>FreshJet FJX7333IHP</b>	<b>FreshJet FJX7337IHP</b>	<b>FreshJet FJX7457IHP</b>
Vekt:	< 30 kg	< 35 kg	< 40 kg
Inspeksjon/sertifisering:			

## Finnish

1	Important notes.....	132
2	Symbolien selitykset.....	132
3	Kohderyhmät.....	133
4	Turvallisuusohjeet.....	133
5	Toimituskokonaisuus.....	134
6	Lisävarusteet.....	135
7	Käyttötarkoitus.....	135
8	Laitteen symbolien selitykset.....	135
9	Tekniset rajoitukset ja vaatimukset.....	136
10	Asennus.....	136
11	Kytkentäkaaviot.....	139
12	Hävittäminen.....	140
13	Tekniset tiedot.....	140

## 1 Important notes

Lue nämä ohjeet huolellisesti ja noudata kaikkia tämän tuotteen käyttöohjeissa annettuja ohjeita, määräyksiä ja varoituksia. Näin varmistat, että tuotteen asennus, käyttö ja huolto sujuu aina oikein. Näiden ohjeiden TÄYTYÄ jäädä tuotteen yhteyteen.

Käyttämällä tuotetta vahvistat lukeneesi kaikki ohjeet, määräykset ja varoitukset huolellisesti ja että ymmärrät ja hyväksyt tässä annetut ehdot. Sitoudut käyttämään tuotetta ainoastaan sen käyttötarkoituksen ja ilmoitetuissa käyttökohteissa ja noudattaen tässä tuotteen käyttöohjeessa annettuja ohjeita, määräyksiä ja varoituksia sekä voimassa olevia lakeja ja määräyksiä. Tässä annettujen ohjeiden ja varoitusten lukematta ja noudattamatta jättäminen voi johtaa omaan tai muiden loukkaantumiseen, tuotteen vaurioitumiseen tai muun ympärillä olevan omaisuuden vaurioitumiseen. Tähän tuotteen käyttöohjeeseen, ohjeisiin, määräyksiin ja varoituksiin sekä oheisdokumentteihin voidaan tehdä muutoksia ja niitä voidaan päivittää. Katso ajantasaiset tuotetiedot osoitteesta [documents.dometic.com](http://documents.dometic.com).

## 2 Symbolien selitykset



**VAARA!** Viittaa vaaralliseen tilanteeseen, joka johtaa kuolemaan tai vakavaan loukkaantumiseen, jos sitä ei vältetä.



**VAROITUS!** Viittaa vaaralliseen tilanteeseen, joka johtaa kuolemaan tai vakavaan loukkaantumiseen, jos sitä ei vältetä.



**HUOMIO!** Viittaavat vaaralliseen tilanteeseen, joka voi johtaa lievään tai kohtalaiseen loukkaantumiseen, jos ohjeita ei noudateta.



**HUOMAUTUS!** Viittaavat vaaralliseen tilanteeseen, joka voi johtaa lievään tai kohtalaiseen loukkaantumiseen, jos ohjeita ei noudateta.



**Ohje** Tuotteen käyttöä koskevia lisätietoja.

### 3 Kohderyhmät



Sähköliitännän saa tehdä vain pätevä sähköasentaja, jolla on sähkölaitteiden ja -asennusten rakentamiseen ja käyttöön tarvittavat tiedot ja taidot ja joka on käynyt turvallisuuskoulutuksen ja osaa siten tunnistaa ja välttää mahdolliset vaarat.



Mekaaninen asennus täytyy teettää pätevällä henkilöllä, joka tuntee laitteen rakenteen ja toiminnan sekä niihin liittyvät vaaratekijät.

### 4 Turvallisuusohjeet



**VAROITUS! Näiden varoitusten noudattamatta jättäminen voi johtaa kuolemaan tai vakavaan vammaan.**

- Laitetta saa korjata vain pätevä ammattilainen, joka tuntee töihin liittyvät vaarat ja oleelliset määräykset. Virheellisesti suoritetuista korjaustoista saattaa aiheutua huomattavia vaaroja. Käänny oman maasi huoltokiliikkeen puoleen, jos laite tarvitsee korjausta (katso [dometic.com/dealer](http://dometic.com/dealer)).
- Laite on asennettava kansallisten sähkö- ja mekaanista asennusta koskevien määräysten mukaisesti.
- Sähkölaitteet eivät ole leluja.** Lapset eivät osaa arvioida sähkölaitteista aiheutuvia vaaroja oikein. Älä anna lasten käyttää sähkölaitteita ilman valvontaa.
- Henkilöiden, jotka fyysisten, sensoristen tai psyykkisten kykyjensä takia tai kokemattomuuden tai tietämättömyyden vuoksi eivät osaa käyttää laitetta turvallisesti, ei tulisi käyttää sitä ilman valvontaa tai vastuullisen henkilön antamaa opastusta.
- Älä** irrota laitteen yläkantta tulipalon sattuessa. Käytä sen sijaan hyväksytyjä sammutusvälineitä. Älä käytä sammuttamiseen vettä.
- Laitetta saa säilyttää vain tilassa, jossa ei ole jatkuvaa avoliekkiä (esimerkiksi käytössä olevaa kaasulaitetta) eikä syttymislähteitä (esimerkiksi käytössä olevaa sähkölämmittintä).
- Laitetta on säilytettävä vaakasäilytyksessä, katetussa tilassa, jossa on hyvä ilmanvaihto.
- Älä tee laitteeseen reikiä äläkä polta sitä.
- Huomaa, että kylmäaineissa ei saa olla hajusteita.
- Kattoilmastointilaitteen saa asentaa ajoneuvoon, jonka lattiapinta-ala on yli 4 m<sup>2</sup>.



**HUOMIO! Näiden varoitusten noudattamatta jättäminen voi johtaa vähäiseen tai kohtalaiseen vammaan.**

- Käytä laitetta vain, jos olet varma, ettei kotelossa ja johtimissa ole vaurioita.
- Älä käytä laitetta syttyvien nesteiden lähellä äläkä suljetuissa tiloissa.
- Huolehdi siitä, että syttyviä esineitä ei säilytetä ilmavirran ulostuloaukon alueella eikä asenneta tälle alueelle. Etäisyyden täytyy olla vähintään 50 cm.
- Älä työnnä kättä ilmavirran ulostuloaukkoihin äläkä pane laitteeseen vieraita esineitä.
- Käytä aina suojalaseja ja -käsineitä.



### HUOMAUTUS! Vahingonvaara

- Laite toimii optimaalisesti paineella 1020 mbar.
- Laite täytyy varastoida siten, että mekaanisia vaurioita ei pääse syntymään.
- Tarkista ennen asennusta, voiko laitteen kiinnittäminen mahdollisesti vahingoittaa ajoneuvon osia (esim. lamput, kaapit, ovet). Ajoneuvovalmistaja on saattanut jo luoda paikkoja, joihin kattoilmastointilaitteen vaatima aukko voidaan tehdä sen heikentämättä rakennetta tai johtamatta sähköjohtojen katkeamiseen.
- Varmista ajoneuvovalmistajalta ennen asennusta, kestääkö korirakenne kattoilmastointilaitteen painon ja siitä liikkuvaan ajoneuvoon aiheutuvan kuormituksen.
- Tiivistä kaikki aukot, jotka on tehty kattoilmastointilaitteen asennuksen yhteydessä.
- Valitse asennuspaikaksi suora ja riittävän tasainen alue ajoneuvon katon keskikohdalta kahden pitkitäisprofiilin välistä.
- Katon asennuspinnan kaltevuus ei saa olla yli 10 °.
- Varmista, että ajoneuvon sisällä ei ole mitään estettä, joka voisi haitata ilmanjakolaatikon kiinnittämistä tai jäähdetytyn ilman virtaamista käännettävistä ilmanjakosuuttimista.
- Älä tee laitteeseen mitään muutoksia!
- Älä missään tapauksessa aja pesulinjaan, kun laite on asennettuna.
- Jos jäähdytyskierrossa ilmenee vika, järjestelmä tulee tarkastaa ammattiliikkeessä ja korjata asianmukaisesti.
- Kylmäainetta ei saa päästää ilmaan.
- Tiedustele ajoneuvovalmistajalta, täytyykö ajoneuvon asiakirjoihin merkittyä korkeutta muuttaa kattoilmastointilaitteen asentamisesta johtuen.

## 5 Toimituskokonaisuus

Nro kohdassa kuva- va. <b>1</b> , kuva. <b>2</b>	Määrä	Kuvaus
1	1	Kattoyksikkö
2	1	Kattokehys
3	1	Ilmanjakolaatikko (ADB)
4	1	Ilmanjakolaatikko-keskikansi
5	4	Kanavan osat
6	3	Johtokiinnittimet
7	4	Kiinnitysruuvit
8	1	Kotelo
9	1	<b>Vain FreshJet FJX4233EEH/FJX4333E(EH)/FJX7333IHP/ FJX7337IHP/FJX7457IHP:</b> Kaukosäädin



## 6 Lisävarusteet

Saatavissa lisävarusteena (ei sisälly toimituskokonaisuuteen):

Kuvaus	Tuotenro
Kanavan jatko-osat (jokainen osa lisää pituutta 10 mm)	4450017931
Pidemmät kiinnitysruuvit M6 x 160 mm (kattopakasuuksille 60 ... 120 mm)	4450012023
Ilmanpuhdistin	4450029486
Sähkölämmitin	4450029487
ADB ympäristövalo	4450029488
Suodattimet malliin FreshJet FJX4233M	4450024007 4450024008
Suodattimet malleihin FreshJet FJX4233EEH/FJX4333E(EH)/FJX7333IHP/FJX7337IHP/FJX7457IHP	4450025683

## 7 Käyttötarkoitus

Kattoilmastointilaite FreshJet FJX on suunniteltu asennettavaksi vain matkailuvaunun tai asuntoauton katolle viilentämään sisätilaa.

Kattoilmastointilaite **ei** sovellu juniin, taloihin eikä asuntoihin. Kattoilmastointilaite **ei** sovi asennettavaksi rakennuskoneisiin, maatalouskoneisiin tai muihin vastaaviin työkoneisiin.

Tämä tuote soveltuu ainoastaan näissä ohjeissa ilmoitettuun käyttötarkoitukseen ja käyttökohteeseen.

Näistä ohjeista saat tuotteen asianmukaiseen asennukseen ja/tai käyttöön tarvittavat tiedot. Väärin tehdyn asennuksen ja/tai väärän käyttötavan tai vääränlaisen huollon seurauksena laite ei toimi tyydyttävästi, ja se saattaa mennä epäkuuntoon.

Valmistaja ei ota vastuuta tapaturmista tai tuotevaurioista, jotka johtuvat seuraavista:

- Väärin tehty asennus tai liitäntä, ylijännite mukaan lukien
- Väärin tehty huolto tai muiden kuin valmistajalta saatavien alkuuperäisten varaosien käyttö
- Tuotteeseen ilman valmistajan nimenomaista lupaa tehdyt muutokset
- Käyttö muuhun kuin tässä ohjeessa ilmoitettuun tarkoitukseen

Dometic pidättää itsellään oikeuden muutoksiin tuotteen ulkonäössä ja spesifikaatioissa.

## 8 Laitteen symbolien selitykset



Varoitus! Matalan palamistason materiaali.



Lue käyttöohje.



Lue huoltokirja.

## 9 Tekniset rajoitukset ja vaatimukset

Kattoilmastointilaitte on tarkoitettu ajoneuvoihin, joiden katon paksuus on 25 mm ... 60 mm. Kattoilmastointilaitteen toiminta taataan ympäristön lämpötilan ollessa välillä  $-2^{\circ}\text{C}$  ...  $52^{\circ}\text{C}$ . Kattoilmastointilaitte on tarkoitettu asennettavaksi  $\pm 10^{\circ}$  kulmaan vaakatasoon nähden. Kattoilmastointilaitteen suorituskyky voi heiketä, jos siihen kohdistuu voimakasta tärinää, esimerkiksi huonokuntoisilla teillä.

## 10 Asennus



### VAARA! Sähköiskun vaara

- Sähköliittännän saa tehdä vain pätevä sähköasentaja, jolla on sähkölaitteiden ja -asennusten rakentamiseen ja käyttöön tarvittavat tiedot ja taidot ja joka on käynyt turvallisuusoulutuksen ja osaa siten tunnistaa ja välttää mahdolliset vaarat.
- Katkaise kaikki jännitteensyötöt kattoilmastointilaitetta koskevien töiden ajaksi.
- Varmista, että laite ei voi kytkeytyä uudelleen jännitteelliseksi.



### VAROITUS! Sähköiskun vaara

- Laite on asennettava kansallisten johdotusmääräysten mukaisesti.
- Kiinteään johdotukseen täytyy asentaa johdotussääntöjen mukaisesti seuraavat: kaikki navat erottava laite, jossa on vähintään 3 mm vapaata paikkaa kaikissa navoissa; kun vuotovirta voi olla yli 10 mA, vikavirtasuojakytkin (RCD), jonka nimellinen vikavirta on enintään 30 mA; erotuslaite.
- Jos laitteella korvataan ikkuna tai kattoluukku, jolla on turvallisuuden kannalta olennainen pakkotulelusettehtävä, on asennettava lisäksi turvaimanvaihtolaite (kuten poistopuhallin). Jos et ole varma, keskustele asiasta ajoneuvovalmistajan kanssa.
- Kun kattoilmastointilaitte on asennettu, kattoilmastointilaitteen lähellä olevan poistopiipun täytyy ulottua vähintään 10 cm korkeammalle. Poistopiippua täytyy pidentää tarvittaessa. Noudata lämmityslaitteiston valmistajan ohjeita.



### HUOMIO! Loukkaantumiswaara

- Kattoilmastointilaitteen väärin tehty asennus voi johtaa laitteen peruuttamattomaan vahingoittumiseen ja vaarantaa käyttäjän turvallisuuden.
- Pyydä aina joku apuun, kun kattoilmastointilaitetta täytyy kantaa tai nostaa.
- Ennen laitteen asennustöiden (poraamisen tai ruuvaamisen) aloittamista on turvallisuusyistä tarkastettava, missä kohtaa asennuspaikassa on johtosarjoja, johtimia ja muita komponentteja, etenkin piiloasennettuja.
- Kiinnitä ja sijoita johdot siten, että niihin ei voi kompastua ja että johdot eivät voi vaurioitua.
- Käytä aina suojalaseja ja -käsineitä.



### HUOMAUTUS! Vahingonvaara

- Laite on tiivistetty järjestelmä, jossa on suljettu jäähdytyskierto. Älä avaa sitä äläkä tee siihen muutoksia.
- Käytä johtokanavia johtojen vetämiseen teräväreunaisten seinien läpi.
- Älä aseta irrallisia tai teräville taitteille asetettuja johtimia sähköä johtavien materiaalien (metalli) päälle.
- Älä vedä johdosta.
- Varmista, että johdotus ei altistu kulumiselle, korroosiolle, liian suurelle paineelle, tärinälle, teräville reunoille eikä muillekaan haitallisille ympäristövaikutuksille. Tarkastuksessa on otettava huomioon myös vanhenemisesta ja esimerkiksi kompressorisyksikön tai tuulettimen aiheuttamasta jatkuvasta tärinästä johtuvat vaikutukset.
- Ota huomioon ajoneuvon katon statiikka. Ajoneuvon katon täytyy kestää kattoilmastointilaitteen paino painumatta lommolle tai muuttamatta muotoaan. Jos et ole varma, keskustele asiasta ajoneuvovalmistajan kanssa.



### Ohje

- Katso laitteen spesifikaatiot kohdasta Tekniset tiedot ja seuraavista tyyppietikeistä:
- Kattoyksikön tyyppietikettkuva: **3**
- Ilmanjakolaatikon tyyppietikettkuva: **4**



Find additional information on roof air conditioners in the operating manual, such as the technical description or the controls, see [documents.dometic.com/?object\\_id=75095](https://documents.dometic.com/?object_id=75095).



kuva. **3** sivulla 2 kuva. **4** sivulla 2

1. Valitse kattoilmastointilaitteen asennustapa:

- Tee uusi aukko. Tässä tapauksessa aukko täytyy vahvistaa sopivalla kehyksellä.
- Käytä ajoneuvossa olemassa olevaa aukkoa, esimerkiksi kattoluukkaa, tai vaihda vanha kattoilmastointilaite.

### Uuden aukon tekeminen

2. Valitse katolta keskellä oleva alue kahden pitkittäisprofiilin välissä.

kuva. **5** sivulla 2

3. Merkitse aukon sijainti ja koko (400 × 400 mm).

4. Poraakulmiin reiät **(A)**.



**HUOMAUTUS! Vahingonvaara** Varo vaurioittamasta sähköjohtoja. Tarkista, missä sähköjohtoja on.

kuva. **6** sivulla 3

5. Saha aukko kattoon huolellisesti pistosahalla tms. **(B)**.

6. Selvitä, täytyykö kattoaukkoa vahvistaa.

7. Poista mahdollinen vaahtomuovi vahvistuslistojen (eivät sisälly toimitukseen) leveydeltä **(A)**.

kuva. **7** sivulla 3

8. Sovita vahvistuslistat paikalleen **(B)**.

## Asennus olemassa olevaan aukkoon

9. Poista kaikki olemassa olevan kattoluukun tai ilmastointilaitteen ruuvit ja kiinnittimet.

kuva. **8** sivulla 3

10. Ota kattoluukku tai kattoilmastointilaitte pois.

11. Poista aukon ympärillä olevat tiivisteet pois kaapimella tms.

kuva. **9** sivulla 3

## Liitäntäjohtojen vetäminen

12. Vertaa kattoilmastointilaitteen tyyppietiketin jännitetietoja käytettävissä olevaan energiansyöttöön. Kattoilmastointilaitte täytyy liittää sähköpiiriin, joka kykenee antamaan vaadittavan virran (Tekniset tiedot).

13. Varmista, että energiansyötössä on vikavirtakatkaisin (< 30 mA). Jos ei ole, asenna vikavirtakatkaisin.

14. Asenna asennuspuolelle kaikki navat kytkevä katkaisin, jonka kärkiväli on vähintään 3 mm.

15. Valitse virtajohtojen poikkipinta-ala johdon pituuden mukaan:

- Pituus < 7.5 m: 1.5 mm<sup>2</sup>
- Pituus > 7.5 m: 2.5 mm<sup>2</sup>

16. Tee toiselle puolelle aukko, jonka kautta viet virtajohtojen.

kuva. **10** sivulla 3

17. Vedä virtajohto aukon läpi ajoneuvon sisätilaan.

## Kattoyksikön asennus

18. Tiivistä kattokehys ympäri joustavalla, kovettumattomalla butyylitiivistemassalla (esim. Sikalastomer-710, Selleys Butyl Mastic, Bostik ezycaulk -butyylitiivisteaine tai vastaava tuote). Noudata myös tiivisteainevalmistajan ohjeita.

kuva. **11** sivulla 4

19. Valitse kattokehys aukon kokoa vastaavasti.

20. Sovita kattokehys kattoaukkoon.

kuva. **12** sivulla 4

21. Nosta kattoyksikkö ajoneuvon katolle. Ota ajosuunta huomioon.

22. Sijoita kattoyksikkö kattokehukseen ja sovita kattokehksen uraan. Kattokehksen uraan sovittaminen aloitetaan kattokehksen etukulmista.

## Sähköinen liitäntä

23. Liitä virtajohto.

kuva. **13** sivulla 5

- a) Liitä johdot **(1)** kaapeliliittimiin **(2)**.
- b) Liitä kattoilmastointilaitte virransyöttöön.
- c) Liitä maadotusjohto ajoneuvon maadotusjärjestelmään.

24. **Vain FreshJet FJX4233M:** Liitä ulkoyksikön ja ilmanjakolaatikon välinen johto.

- a) Vedä suodatinta vähän ulos, jotta tietoliikennejohdolle **(3)** syntyy rako.
- b) Työnnä johto raon kautta ja laita johto aukkoon.
- c) Yhdistä tietoliikennejohdon 6-napainen pistoke liittimeen, joka on näytön puolella ilmanjakolaatikossa. Varmista, että johto on pienessä aukossa etäällä suodatinalueelta.
- d) Kiinnitä ylimääräinen johto pidikkeisiin.

25 **Vain FreshJet FJX4233EEH/FJX4333E(EH)/FJX7333IHP/FJX7337IHP/FJX7457IHP**: Liitä tietoliikennejohto.

- Vedä suodatinta vähän ulos, jotta tietoliikennejohdolle (4) syntyy rako.
- Työnnä tietoliikennejohto raon läpi ja laita johto aukkoon.
- Yhdistä tietoliikennejohdon 4-napainen pistoke liittimeen, joka on näytön puolella ilmanjakolaatikossa. Varmista, että johto on pienessä aukossa etäällä suodatinalueelta.
- Kiinnitä ylimääräinen johto pidikkeisiin.

### Ilmanjakolaatikon asennus

26 Kokoa kanavan osat ja sijoita ne katon paksuuden mukaisesti. Varmista, että kanavan korkeus vastaa katon korkeutta, tai käytä taulukkoa osviittana.

kuva. 14 sivulla 6

Katon paksuus	Kanavakappaleiden määrä
25 ... 35 mm	1
35 ... 45 mm	2
45 ... 55 mm	3
55 ... 60 mm	4



**Ohje** Paksumpia kattoja varten voi tilata lisää kanavakappaleita.

27 Liitä ilmanjakolaatikkoon tarvittava määrä kanavakappaleita.

28 Kiinnitä ilmanjakolaatikko sisäkattoon 4:llä kattoyksikön läpi menevällä ruuvilla, jotka sisältyvät toimitukseen. Kiristä ruuvit momenttiavaimella kiristystiukkuuteen 2.5 Nm ± 0.3 Nm.

kuva. 15 sivulla 7

29 Työnnä suodatin takaisin kokonaan sisään.

kuva. 16 sivulla 7

30 Kiinnitä keskikansi ilmanjakolaatikkoon.

kuva. 17 sivulla 8

31 Tarkista ajoneuvovalmistajalta, täytyykö ajoneuvo katsastaa uudelleen kattoilmastointilaitteen asennuksen jälkeen ja pitääkö ajoneuvon papereihin tehtyä korkeusmerkintää muuttaa:

- FreshJet FJX4233, FreshJet FJX4333, FreshJet FJX7333: asennuskorkeus 225 mm
- FreshJet FJX7337: asennuskorkeus 240 mm
- FreshJet FJX7457: asennuskorkeus 283 mm

★asennus on nyt valmis.

Liitä virransyöttö ja kokeile, toimiiko kattoilmastointilaite.

## 11 Kytkentäkaaviot

### FJX4233M

kuva. 18 sivulla 8

**FJX4233E, FJX4333E(EH), FJX7333IHP**kuva. **19** sivulla 9**FJX7337IHP, FJX7457IHP**kuva. **20** sivulla 9**ADB**kuva. **21** sivulla 10

## 12 Hävittäminen



Vie pakkausmateriaali mahdollisuuksien mukaan niille tarkoitettuihin kierrätysjäteastioihin. Tiedustele lähimmästä kierrätyskeskuksesta tai erikoisliikkeestä tuotetta koskevia yksityiskohtaisia hävittämistä koskevia ohjeita.




Muista ympäristönsuojelusta! Akut ja paristot eivät kuulu kotitalousjätteen sekaan. Toimita vialliset akut tai käytetyt paristot kauppiaille tai keräyspisteeseen.


## 13 Tekniset tiedot

Sisältää fluorattuja kasvihuonekaasuja. Hermeettisesti suljettu laite.

	<b>FreshJet FJX4233M</b>
Jäähdytysteho ISO-5151:n mukaan:	1500 W
Vaihtovirtatulojännite:	220 V ... 240 V / 50 Hz
Nimellisvirta, jäähdytys:	< 3.3 A
Tarvittava sulake:	4 A
Käyttölämpötila-alue:	- 2 °C ... 52 °C
Kylmäaine:	R410a
Kylmäaineen määrä:	380 g
CO <sub>2</sub> -ekvivalentti:	0.793 t
Vaikutus ilmaston lämpenemiseen (GWP):	2088
Kotelointiluokka (kattoyksikkö):	IPX4
Melutaso (suurimmalla tuuletusteholla)	< 70 dB(A)

	<b>FreshJet FJX4233M</b>
Suositteltu maks. ajoneuvopituus (ml. eristetyt seinät):	< 5 m
Mitat P x L x K:	kuva. <b>22</b>
Paino:	< 30 kg
Tarkastus/sertifikaatti:	

	<b>FreshJet FJX4233EEH</b>	<b>FreshJet FJX4333EEH</b>	<b>FreshJet FJX4333E</b>
Jäähdytysteho ISO-5151:n mukaan:	1700 W	2200 W	2200 W
Lämmitysteho ISO 5151:n mukaan:	800 W	1000 W	-
Vaihtovirtajännite:	220 V ... 240 V / 50 Hz		
Nimellisvirta, jäähdytys:	3.6 A	4.8 A	4.8 A
Nimellisvirta, lämmitys:	< 5.2 A	< 5.2 A	-
Tarvittava sulake:	4 A	5 A	6 A
Käyttölämpötila-alue:	- 2 °C ... 52 °C		
Kylmäaine:	R32		
Kylmäaineen määrä:	320 g	360 g	360 g
CO <sub>2</sub> -ekvivalentti:	0.216 t	0.243 t	0.243 t
Vaikutus ilmaston lämpenemiseen (GWP):	675		
Kotelointiluokka (kattoyksikkö):	IPX4		
Melutaso (suurimmalla tuulesteholla)	< 70 dB(A)		
Suositteltu maks. ajoneuvopituus (ml. eristetyt seinät):	< 6 m	< 7 m	< 7 m
Mitat P x L x K:	kuva. <b>23</b>		
Paino:	< 30 kg	< 30 kg	< 30 kg
Tarkastus/sertifikaatti:			

	Freshjet FJX7333IHP	Freshjet FJX7337IHP	Freshjet FJX7457IHP
Jäähdytysteho ISO-5151:n mukaan:	2200 W	3000 W	3500 W
Lämmitysteho ISO 5151:n mukaan:	2000 W	2500 W	3000 W
Vaihtovirtatulojännite:	220 V ... 240 V / 50 Hz ... 60 Hz	220 V ... 240 V / 50 Hz ... 60 Hz	220 V ... 240 V / 50 Hz ... 60 Hz
Nimellisvirta, jäähdytys:	< 7.5 A	< 7.5 A	< 7.5 A
Nimellisvirta, lämmitys:	< 6.1 A	< 6.1 A	< 6.1 A
Tarvittava sulake:	6 A	6 A	6 A
Käyttölämpötila-alue:	- 2 °C ... 52 °C	- 2 °C ... 52 °C	- 2 °C ... 52 °C
Kylmäaine:	R32	R32	R32
Kylmäaineen määrä:	420 g	480 g	650 g
CO <sub>2</sub> -ekvivalentti:	0.2835 t	0.3240 t	0.43875 t
Vaikutus ilmaston lämpenemiseen (GWP):		675	
Kotelointiluokka (kattoyksikkö):		IPX4	
Melutaso (suurimmalla tuuletusteholla)		< 70 dB(A)	
Suosittelun maks. ajoneuvopituus (ml. eristetyt seinät):	< 7 m	< 7 m	> 8 m
Mitat P x L x K:	kuva. <b>23</b>	kuva. <b>24</b>	kuva. <b>25</b>
Paino:	< 30 kg	< 35 kg	< 40 kg
Tarkastus/sertifikaatti:			



## Russian

1	Important notes.....	143
2	Пояснение к символам.....	143
3	Целевые группы.....	144
4	Указания по технике безопасности.....	144
5	Комплект поставки.....	145
6	Аксессуары.....	146
7	Использование по назначению.....	146
8	Пояснения к символам на устройстве.....	147
9	Технические пределы и условия.....	147
10	Монтаж.....	147
11	Схемы соединений.....	151
12	Утилизация.....	152
13	Технические характеристики.....	152

## 1 Important notes

Пожалуйста, внимательно прочтите и соблюдайте все указания, рекомендации и предупреждения, содержащиеся в этом руководстве по использованию изделия, чтобы гарантировать правильную установку, использование и обслуживание изделия. Эта инструкция ДОПЖНА оставаться вместе с этим изделием.

Используя изделие, вы тем самым подтверждаете, что внимательно прочитали все указания, рекомендации и предупреждения, а также, что вы понимаете и соглашаетесь соблюдать попожения и условия, изложенные в настоящем документе. Вы соглашаетесь использовать это изделие только по прямому назначению и в соответствии с указаниями, рекомендациями и предупреждениями, изложенными в данном руководстве по использованию изделия, а также в соответствии со всеми применимыми законами и правилами. Несоблюдение указаний и предупреждений, изложенных в данном документе может привести к травмам вас и других лиц, повреждению вашего изделия или повреждению другого имущества, находящегося поблизости. Данное руководство по использованию изделия, включая указания, рекомендации и предупреждения, а также сопутствующую документацию, может подвергаться изменениям и обновлениям. Актуальную информацию о продукте можно найти на сайте [documents.dometic.com](http://documents.dometic.com).

## 2 Пояснение к символам



**ОПАСНОСТЬ!** Указывает на опасную ситуацию, которая, если ее не избежать, приведет к смерти или серьезным травмам.



**ПРЕДУПРЕЖДЕНИЕ!** Указывает на опасную ситуацию, которая, если ее не избежать, приведет к смерти или серьезным травмам.



**ОСТОРОЖНО!** Указывает на опасную ситуацию, которая, если ее не избежать, может привести к травмам легкой или средней степени тяжести.



**ВНИМАНИЕ!** Указывает на опасную ситуацию, которая, если ее не избежать, может привести к травмам легкой или средней степени тяжести.



**Указание** Дополнительная информация по управлению продуктом.

### 3 Целевые группы



Источник электропитания должен быть подключен квалифицированным электриком, который продемонстрировал навыки и знания, связанные с монтажом и эксплуатацией электрооборудования и внутренних электрических сетей, и прошел обучение по технике безопасности в целях выявления и предотвращения связанных с этим опасностей.



Механический монтаж может быть выполнен компетентным персоналом, который знаком с конструкцией и эксплуатацией оборудования и связанными с этим опасностями.

### 4 Указания по технике безопасности



**ПРЕДУПРЕЖДЕНИЕ! Несоблюдение этих предупреждений может привести к смерти или серьезной травме.**

- Ремонт устройства разрешается выполнять только специалистам, знакомым с возможными опасностями и с соответствующими стандартами и предписаниями. Если ремонт выполнен неправильно, эксплуатация устройства может представлять опасность. При необходимости ремонта обратитесь в сервисный центр в вашей стране (см. [dometic.com/dealer](http://dometic.com/dealer)).
- Устройство должно быть установлено в соответствии с национальными правилами электрического и механического монтажа.
- **Электроприборы не являются детскими игрушками.** Дети не в состоянии правильно оценить опасности, исходящие от электроприборов. Не оставляйте детей пользоваться электроприборами без присмотра.
- Лица, которые в связи с ограниченными физическими, сенсорными или умственными способностями или с недостатком опыта или знаний, не в состоянии пользоваться устройством, не должны использовать устройство без постоянного присмотра или инструктажа ответственными за них лицами.
- В случае пожара **не** снимайте верхнюю крышку устройства. Используйте допущенные средства пожаротушения. Не используйте воду для тушения пожара.
- Устройство должно храниться в помещении без постоянно работающих источников открытого огня (например, работающего газового прибора) и источников воспламенения (например, работающего электронагревателя).
- Устройство должно храниться горизонтально в сухом, вентилируемом и закрытом месте.
- Не прокалывайте и не сжигайте устройство.
- Помните, что хладагенты не могут иметь запах.
- Накрышный кондиционер должен устанавливаться в транспортном средстве с площадью пола, превышающей 4 м<sup>2</sup>.



### **ОСТОРОЖНО! Несоблюдение этих предостережений может привести к травме легкой или средней степени тяжести.**

- Эксплуатируйте устройство только в том случае, если корпус и провода не имеют повреждений.
- Не эксплуатируйте устройство вблизи легковоспламеняющихся жидкостей или в закрытых помещениях.
- Следите за тем, чтобы горючие предметы не складировались и не устанавливались в зоне выхода воздуха. Расстояние должно составлять не менее 50 см.
- Не вводить руки в выходные вентиляционные отверстия и не вводить инородные предметы в устройство.
- Всегда надевайте защитные очки и перчатки.



### **ВНИМАНИЕ! Риск повреждения**

- Устройство оптимально функционирует при 1020 мбар.
- Устройство должно храниться таким образом, чтобы предотвратить возникновение механических повреждений.
- Перед монтажом убедитесь в том, что вследствие монтажа устройства не могут быть повреждены другие узлы автомобиля (например, светильники, шкафы, двери). Изготовитель транспортного средства, возможно, уже предоставил точки, где отверстие для установки устройства может быть сделано без какого-либо риска ослабления конструкции или перерезания силовых кабелей.
- Перед монтажом выясните у изготовителя автомобиля, рассчитан ли кузов находящегося в движении автомобиля на статический вес и нагрузки, вызываемые кондиционером.
- Уплотните все отверстия, выполненные при монтаже накрывного кондиционера.
- В качестве места монтажа выбирайте плоскую и достаточно ровную зону в центре между двумя продольными профилями крыши автомобиля.
- Уклон крыши в месте монтажа не должен превышать 10 °.
- Убедитесь, что внутри автомобиля отсутствуют препятствия для крепления воздухораспределителя и выхода охлажденного воздуха через поворотные воздушные сопла.
- Не выполняйте никаких изменений и переделок на приборе.
- При установленном устройстве запрещается въезд в автоматическую автомобильную мойку.
- При возникновении неисправностей в контуре хладагента он должен быть проверен и отремонтирован специализированной мастерской.
- Запрещается сбрасывать хладагент в атмосферу.
- Выясните у изготовителя вашего автомобиля, не требуется ли в связи с установкой накрывного кондиционера изменение записи о высоте автомобиля в паспорте автомобиля.

## **5 Комплект поставки**

Поз. на рис. <b>1</b> рис. <b>2</b>	Количество	Наименование
1	1	Накрывный блок
2	1	Рама
3	1	Воздухораспределитель (ADB)
4	1	Центральная крышка ADB

Поз. на рис. <b>1</b> рис. <b>2</b>	Количество	Наименование
5	4	Секции воздуховода
6	3	Кабельные соединители
7	4	Крепежные винты
8	1	Крышка блока
9	1	<b>Только FreshJet FJX4233EEN/FJX4333E(EN)/FJX7333INP/ FJX7337INP/FJX7457INP:</b> Пульт дистанционного управления

## 6 Аксессуары

Продается в качестве принадлежности (не входит в комплект поставки):

Наименование	№ изд.
Удлинительные секции воздуховода (каждая секция покрывает дополнительные 10 м)	4450017931
Удлиненные крепежные винты М6 x 160 мм (для толщины крыши 60 ... 120 мм)	4450012023
Воздухоочиститель	4450029486
Электрический нагреватель	4450029487
Внешнее освещение ADB	4450029488
Фильтры для FreshJet FJX4233M	4450024007 4450024008
Фильтры для FreshJet FJX4233EEN/FJX4333E(EN)/FJX7333INP/FJX7337INP/FJX7457INP	4450025683

## 7 Использование по назначению

Накрышный кондиционер FreshJet FJX предназначен только для установки на крыше автофургона или жилого прицепа в целях обеспечения охлаждения.

Накрышный кондиционер **не** предназначен для поездов, домов и квартир. Накрышный кондиционер **не** пригоден для монтажа на строительных и сельскохозяйственных машинах или аналогичном рабочем оборудовании.

Это изделие подходит только для использования по назначению и применения в соответствии с данной инструкцией.

В данной инструкции содержится информация, необходимая для правильного монтажа и/или эксплуатации изделия. Неправильный монтаж и/или ненадлежащая эксплуатация или техническое обслуживание приводят к неудовлетворительной работе и возможному отказу.

Изготовитель не несет ответственности за какие-либо травмы или повреждение продукта в результате следующих причин:

- Неправильная сборка или подключение, включая повышенное напряжение
- Неправильное техническое обслуживание или использование запасных частей, отличных от оригинальных запасных частей, предоставленных изготовителем
- Изменения в продукте, выполненные без однозначного разрешения изготовителя
- Использование в цепях, отличных от указанных в данной инструкции

Компания Dometic оставляет за собой право изменять внешний вид и технические характеристики продукта.

## 8 Пояснения к символам на устройстве



Предупреждение! Материал с низкой скоростью горения.



Прочтите инструкцию по эксплуатации.



Прочтите инструкцию по техническому обслуживанию.

## 9 Технические пределы и условия

Накрышный кондиционер предназначен для транспортных средств с крышами толщиной 25 м ... 60 м. Накрышный кондиционер эффективно функционирует при температурах окружающего воздуха между  $-2^{\circ}\text{C}$  ...  $52^{\circ}\text{C}$ . Накрышный кондиционер предназначен для установки в пределах  $\pm 10^{\circ}$  от горизонтальной плоскости. Производительность накрышного кондиционера может снизиться, если он подвергается сильным вибрациям, например, вызванным плохими дорожными условиями.

## 10 Монтаж



### **ОПАСНОСТЬ! Опасность поражения электрическим током**

- Источник электропитания должен быть подключен квалифицированным электриком, который продемонстрировал навыки и знания, связанные с монтажом и эксплуатацией электрооборудования и внутренних электрических сетей, и прошел обучение по технике безопасности в целях выявления и предотвращения связанных с этим опасностей.
- При работах на кондиционере всегда прерывайте электропитание.
- Убедитесь, что устройство не может быть повторно включено.



### **ПРЕДУПРЕЖДЕНИЕ! Опасность поражения электрическим током**

- Устройство должно быть установлено в соответствии с национальными правилами электропроводки.
- В соответствии с правилами монтажа в стационарную проводку должно быть включено следующее: Устройство отключения всех полюсов, имеющее зазора по меньшей мере 3 м во всех полюсах; при наличии тока утечки, который может превышать 10 ма, устройство защитного отключения (УЗО), имеющее номинальный дифференциальный отключающий ток, не превышающий 30 ма; отключение.
- Если прибор заменяет окно или люк функцией принудительной вентиляции, соответствующей требованиям безопасности, необходимо добавить дополнительное защитное вентиляционное устройство (например, грибовидный вентилятор или аналогичный). В случае сомнений обратитесь к производителю автомобиля.
- После установки на крышного кондиционера вытяжная труба в непосредственной близости от кондиционера на крыше должна возвышаться над ним не менее чем на 10 см. При необходимости, удлините вытяжную трубу. Соблюдайте указания изготовителя нагревателя.



### **ОСТОРОЖНО! Опасность травмирования**

- Неправильный монтаж кондиционера может приводить к непоправимым повреждениям устройства и отрицательно сказываться на безопасности пользователя.
- Всегда переносите и поднимайте на крышный кондиционер вдвоем.
- Перед монтажом (при сверлении, установке винтов и т. п.) проверьте прохождение имеющихся, особенно не видимых кабелей, проводов и других компонентов, которые находятся в зоне монтажа.
- Крепите и прокладывайте провода так, чтобы исключить возможность повреждения кабелей и провода не препятствовали проходу.
- Всегда надевайте защитные очки и перчатки.



### **ВНИМАНИЕ! Риск повреждения**

- Устройство представляет собой герметичную систему с замкнутым холодильным контуром. Не вскрывайте и не изменяйте его.
- Если необходимо провести электрические провода через стенки с острыми краями, то используйте металлорукава или кабельные вводы!
- Не прокладывайте незакрепленные или сильно изогнутые провода по электропроводящим материалам (металлу).
- Не тяните за кабели.
- Убедитесь, что кабели не подвергаются износу, коррозии, чрезмерному давлению, вибрации, острым краям или любым другим неблагоприятным воздействиям внешних факторов. При проверке также должны учитываться эффекты старения или постоянной вибрации от таких источников, как компрессоры или вентиляторы.
- Учитывайте статическую устойчивость крыши автомобиля. Крыша автомобиля должна быть в состоянии выдерживать вес кондиционера без вмятин и деформаций. В случае сомнений обратитесь к производителю автомобиля.



### **Указание**

- Технические характеристики устройства приведены на **Технические характеристики** и на следующих заводских табличках:
- Заводская табличка на крышного блока рис. **3**
- Заводская табличка ADB рис. **4**



Find additional information on roof air conditioners in the operating manual, such as the technical description or the controls, see [documents.dometic.com/?object\\_id=75095](https://documents.dometic.com/?object_id=75095).



рис. **3** стр. 2 рис. **4** стр. 2

1. Определите способ монтажа накрывного кондиционера:

- Изготовление нового отверстия. В этом случае отверстие должно быть усилено соответствующей рамой.
- Использование имеющегося отверстия в автомобиле, например, люка на крыше, или замена старого накрывного кондиционера.

### Изготовление нового отверстия

2. Выберите на крыше зону в центре между двумя продольными профилями.

рис. **5** стр. 2

3. Разметьте положение и размер отверстия (400 × 400 мм).

4. Высверлите углы **(A)**.



**ВНИМАНИЕ! Риск повреждения** При этом следите за тем, чтобы не повредить электрические кабели. Проверьте, где расположены электрические кабели.

рис. **6** стр. 3

5. Осторожно вырежьте отверстие на крыше ножовкой и т. п. **(B)**.

6. Решите, должен ли быть усилен вырез в крыше.

7. При необходимости, удалите пенное вещество в соответствии с шириной крепежных планок (не входят в комплект поставки) **(A)**.

рис. **7** стр. 3

8. Пригоните крепежные планки **(B)**.

### Монтаж в существующем отверстии

9. Удалите все винты и крепления существующего люка или кондиционера.

рис. **8** стр. 3

10. Выньте люк или накрывный кондиционер.

11. Удалите уплотнительный материал вокруг отверстия шабером и т. п.

рис. **9** стр. 3

### Прокладка соединительных проводов

12. Убедитесь, что значения напряжения, указанные на заводской табличке накрывного кондиционера, соответствуют характеристикам имеющегося источника питания. Кондиционер должен быть присоединен к электрической цепи, которая в состоянии подавать ток требуемой силы (Технические характеристики).

13. Убедитесь, что в источнике питания имеется устройство защитного отключения (< 30 мА). Если отсутствует, установите устройство защитного отключения.

14. Установите всеполюсный выключатель с шириной раскрытия контакта не менее 3 мм на стороне установки.

15. Выберите поперечное сечение кабеля электропитания соответственно длине кабеля:

- Длина < 7.5 м: 1.5 мм<sup>2</sup>
- Длина > 7.5 м: 2.5 мм<sup>2</sup>

16. Выполните отверстие на одной стороне, чтобы пропустить кабель электропитания.

рис. 10 стр. 3

17. Проложите кабель электропитания через отверстие внутрь автомобиля.

### Монтаж нарышного блока

18. Герметизируйте зазор в раме гибким, не затвердевающим бутиловым герметиком (например, SikaLas-tomer-710, Selleys Butyl Mastic, Bostik ezusaulk или аналогичными продуктами). Соблюдайте указания производителя герметика.

рис. 11 стр. 4

19. Ориентируйте раму в зависимости от размера проема.

20. Установите раму в проем крыши.

рис. 12 стр. 4

21. Поднимите нарышный блок на крышу автомобиля. Учитывайте направление движения.

22. Установите нарышный блок в раму и выровняйте по пазу рамы. Чтобы выровнять по пазу рамы, используйте углы в передней части рамы.

### Подключение к электрической сети

23. Подключите кабель электропитания.

рис. 13 стр. 5

- а) Присоедините соответствующие кабели (1) к соединителям (2).
- б) Соедините кондиционер с электропитанием.
- в) Подключите кабель заземления к системе заземления автомобиля.

24. **Только FreshJet FJX4233М:** Подсоедините кабель между внешним блоком и диффузором воздушного блока.

- а) Слегка вытяните фильтр, чтобы создать зазор для кабеля связи (3).
- б) Пропустите кабель через зазор и найдите провод в отверстии.
- в) Подключите коммуникационный 6-контактный штекер к разъему на боковой панели дисплея в ADB. Убедитесь, что кабель расположен в небольшом отверстии вдали от зоны фильтра.
- г) Закрепите лишний кабель в держателях.

25. **Только FreshJet FJX4233ЕЕН/ FJX4333Е(ЕН)/ FJX7333IHP/ FJX7337IHP/ FJX7457IHP:** Присоедините кабель связи.

- а) Слегка вытяните фильтр, чтобы создать зазор для кабеля связи (4).
- б) Пропустите кабель связи через зазор и найдите провод в отверстии.
- в) Подключите коммуникационный 4-контактный штекер к разъему на боковой панели дисплея в ADB. Убедитесь, что кабель расположен в небольшом отверстии вдали от зоны фильтра.
- г) Закрепите лишний кабель в держателях.



**Монтаж ADB**

26 Сложите секции воздуховода в стопку и расположите по толщине крыши: Убедитесь, что высота воздуховода соответствует высоте крыши, или используйте таблицу в качестве ориентира.

рис. 14 стр. 6

Толщина крыши	Количество секций воздуховода
25 ... 35 м	1
35 ... 45 м	2
45 ... 55 м	3
55 ... 60 м	4



**Указание** Дополнительные секции воздуховодов можно приобрести для более толстых крыш.

27 Прикрепите необходимое количество секций воздуховодов к ADB.

28 Прикрепите ADB к потолку через накрывной блок с помощью 4 прилагаемых болтов. Затяните винты динамометрическим ключом с моментом затяжки  $2.5 \text{ нм} \pm 0.3 \text{ нм}$ .

рис. 15 стр. 7

29 Полностью вставьте фильтр обратно внутрь.

рис. 16 стр. 7

30 Прикрепите центральную крышку к ADB.

рис. 17 стр. 8

31 Выясните у изготовителя вашего автомобиля, не требуется ли в связи с установкой накрывного кондиционера приемные испытания и изменение записи о высоте автомобиля в документации на автомобиль.

- FreshJet FJX4233, FreshJet FJX4333, FreshJet FJX7333: Увеличение высоты 225 м
- FreshJet FJX7337: Увеличение высоты 240 м
- FreshJet FJX7457: Увеличение высоты 283 м

Монтаж завершен.

Подключите к источнику питания и проверьте, работает ли накрывной кондиционер.

**11 Схемы соединений****FJX4233M**

рис. 18 стр. 8

**FJX4233E, FJX4333E(EH), FJX7333INP**

рис. 19 стр. 9

**FJX7337INP, FJX7457INP**

рис. 20 стр. 9

**ADB**

рис. 21 стр. 10

## 12 Утилизация



По возможности, выкидывайте упаковочный материал в мусор, подлежащий вторичной переработке. Выясните в ближайшем центре по вторичной переработке или в торговой сети о соответствующих предписаниях по утилизации изделия.




Защищайте окружающую среду! Аккумуляторы и батареи запрещается выбрасывать в бытовой мусор. Неисправные аккумуляторы и разряженные батареи сдавайте в торговую организацию или в специальные сборные пункты.



## 13 Технические характеристики

Содержит фторированные парниковые газы. Герметичное оборудование.

	<b>FreshJet FJX4233M</b>
Холодопроизводительность согласно ISO 5151:	1500 Вт
Входное напряжение переменного тока:	220 В ... 240 В / 50 Гц
Номинальный ток при охлаждении:	< 3.3 А
Требуемый предохранитель:	4 А
Диапазон рабочих температур:	- 2 °C ... 52 °C
Хладагент:	R410a
Количество хладагента:	380 г
CO <sub>2</sub> -эквивалент:	0.793 т
Потенциал глобального потепления (GWP):	2088
Класс защиты (накрышный блок):	IPX4
Уровень шума (максимальная настройка вентилятора)	< 70 дБ(А)
Рекомендуемая макс. длина автомобиля (с изолированными стенами):	< 5 м

	<b>FreshJet FJX4233M</b>
Размеры (Д x Ш x В):	рис. <b>22</b>
Вес:	< 30 кг
Испытания/сертификат:	

	<b>FreshJet FJX4233EEH</b>	<b>FreshJet FJX4333EEH</b>	<b>FreshJet FJX4333E</b>
Холодопроизводительность согласно ISO 5151:	1700 Вт	2200 Вт	2200 Вт
Теплопроизводительность согласно ISO 5151:	800 Вт	1000 Вт	-
Входное напряжение переменного тока:	220 В ... 240 В / 50 Гц		
Номинальный ток при охлаждении:	3,6 А	4,8 А	4,8 А
Номинальный ток при обогреве:	< 5,2 А	< 5,2 А	-
Требуемый предохранитель:	4 А	5 А	6 А
Диапазон рабочих температур:	- 2 °С ... 52 °С		
Хладагент:	R32		
Количество хладагента:	320 г	360 г	360 г
CO <sub>2</sub> -эквивалент:	0,216 т	0,243 т	0,243 т
Потенциал глобального потепления (GWP):	675		
Класс защиты (накрышный блок):	IPX4		
Уровень шума (максимальная настройка вентилятора)	< 70 дБ(А)		
Рекомендуемая макс. длина автомобиля (с изолированными стенами):	< 6 м	< 7 м	< 7 м
Размеры (Д x Ш x В):	рис. <b>23</b>		
Вес:	< 30 кг	< 30 кг	< 30 кг

	FreshJet FJX4233EEH	FreshJet FJX4333EEH	FreshJet FJX4333E
Испытания/сертификат:			
	FreshJet FJX7333IHP	FreshJet FJX7337IHP	FreshJet FJX7457IHP
Холодопроизводительность согласно ISO 5151:	2200 Вт	3000 Вт	3500 Вт
Теплопроизводительность согласно ISO 5151:	2000 Вт	2500 Вт	3000 Вт
Входное напряжение переменного тока:	220 В ... 240 В / 50 Гц ... 60 Гц	220 В ... 240 В / 50 Гц ... 60 Гц	220 В ... 240 В / 50 Гц ... 60 Гц
Номинальный ток при охлаждении:	< 7.5 А	< 7.5 А	< 7.5 А
Номинальный ток при обогреве:	< 6.1 А	< 6.1 А	< 6.1 А
Требуемый предохранитель:	6 А	6 А	6 А
Диапазон рабочих температур:	- 2 °С ... 52 °С	- 2 °С ... 52 °С	- 2 °С ... 52 °С
Хладагент:	R32	R32	R32
Количество хладагента:	420 г	480 г	650 г
СО <sub>2</sub> -эквивалент:	0.2835 т	0.3240 т	0.43875 т
Потенциал глобального потепления (GWP):	675		
Класс защиты (накрышный блок):	IPX4		
Уровень шума (максимальная настройка вентилятора)	< 70 дБ(А)		
Рекомендуемая макс. длина автомобиля (с изолированными стенами):	< 7 м	< 7 м	> 8 м
Размеры (Д x Ш x В):	рис. <b>23</b>	рис. <b>24</b>	рис. <b>25</b>
Вес:	< 30 кг	< 35 кг	< 40 кг
Испытания/сертификат:			

## Polish

1	Important notes.....	155
2	Objaśnienie symboli.....	155
3	Odbiorcyinstrukcji.....	156
4	Wskazówki bezpieczeństwa.....	156
5	W zestawie.....	157
6	Akcesoria.....	158
7	Użytkowanie zgodne z przeznaczeniem.....	158
8	Objaśnienie symboli na urządzeniu.....	159
9	Ograniczenia techniczne i warunki zastosowania.....	159
10	Montaż.....	159
11	Schemat połączeń.....	163
12	Utylizacja.....	164
13	Dane techniczne.....	164

## 1 Important notes

Prosimy o uważne przeczytanie niniejszej instrukcji i przestrzeganie wszystkich instrukcji, wskazówek i ostrzeżeń zawartych w niniejszej instrukcji produktu. Pozwoli to przez cały czas zapewnić prawidłową instalację, zastosowanie oraz konserwację produktu. Niniejsza instrukcja MUSI przez cały czas pozostawać przy produkcie.

Korzystając z produktu, użytkownik potwierdza uważne przeczytanie wszelkich instrukcji, wskazówek i ostrzeżeń, ich zrozumienie oraz zobowiązuje się przestrzegać zawartych w nich warunków. Użytkownik zobowiązuje się wykorzystywać niniejszy produkt wyłącznie zgodnie z jego przeznaczeniem i zamierzonym zastosowaniem oraz z instrukcjami, wskazówkami i ostrzeżeniami wyszczególnionymi w niniejszej instrukcji produktu, jak również ze wszystkimi mającymi zastosowanie przepisami i regulacjami prawnymi. Nieprzestrzeganie zawartych tu instrukcji i ostrzeżeń może skutkować obrażeniami u użytkownika oraz osób trzecich, uszkodzeniem produktu lub też uszkodzeniem mienia w sąsiedztwie produktu. Zastrzega się możliwość wprowadzania zmian i aktualizacji niniejszej instrukcji produktu, wraz z instrukcjami, wskazówkami i ostrzeżeniami oraz powiązaną dokumentacją. Aktualne informacje dotyczące produktu można zawsze znaleźć na stronie [documents.dometic.com](http://documents.dometic.com).

## 2 Objąśnienie symboli



**NIEBEZPIECZEŃSTWO!** Wskazuje niebezpieczną sytuację, która – jeśli się jej nie uniknie – prowadzi do śmierci lub poważnych obrażeń.



**OSTRZEŻENIE!** Wskazuje niebezpieczną sytuację, która – jeśli się jej nie uniknie – prowadzi do śmierci lub poważnych obrażeń.



**OSTROŻNIE!** Wskazuje niebezpieczną sytuację, która – jeśli się jej nie uniknie – może prowadzić do lekkich lub umiarkowanych obrażeń.



**UWAGA!** Wskazuje niebezpieczną sytuację, która – jeśli się jej nie uniknie – może prowadzić do lekkich lub umiarkowanych obrażeń.



**Wskazówka** Dodatkowe informacje dotyczące obsługi produktu.

### 3 Odbiorcyinstrukcji



Przyłącze elektryczne musi zostać wykonane przez wykwalifikowanego elektryka, posiadającego poświadczone kompetencje i wiedzę w zakresie budowy i obsługi urządzeń oraz instalacji elektrycznych, który przeszedł szkolenie w zakresie bezpieczeństwa, pozwalające na identyfikację i unikanie występujących zagrożeń.



Montaż mechaniczny musi wykonać wykwalifikowana osoba posiadająca wiedzę na temat budowy i działania urządzenia oraz świadoma występujących zagrożeń.

### 4 Wskazówki bezpieczeństwa



**OSTRZEŻENIE! Nieprzestrzeganie tych ostrzeżeń może prowadzić do śmierci lub ciężkich obrażeń.**

- Napraw urządzenia może dokonywać tylko odpowiednio wykwalifikowany personel, który jest świadomy potencjalnych zagrożeń i zna odpowiednie przepisy. Nieodpowiednio wykonane naprawy mogą być przyczyną poważnych zagrożeń. W celu naprawy należy zwrócić się do centrum serwisowego w danym kraju (patrz [dometic.com/dealer](http://dometic.com/dealer)).
- Urządzenie należy zamontować zgodnie z krajowymi przepisami dotyczącymi instalacji elektrycznej i mechanicznej.
- **Urządzenia elektryczne nie są zabawkami dla dzieci.** Dzieci nie są w stanie ocenić zagrożeń, które mogą one powodować. Nie pozwól dzieciom na korzystanie z urządzeń elektrycznych bez nadzoru.
- Osoby, które ze względu na ograniczone zdolności fizyczne, sensoryczne lub intelektualne albo też brak doświadczenia bądź odpowiedniej wiedzy nie są w stanie bezpiecznie używać urządzenia, nie powinny z niego korzystać bez nadzoru lub instruktazu odpowiedzialnej osoby.
- W przypadku pożaru **nie** zdejmować górnej pokrywy urządzenia, tylko użyć atestowanych środków gaśniczych. Do gaszenia nie należy używać wody.
- Urządzenie należy przechowywać w pomieszczeniach bez stale zapalonych otwartych płomieni, (np. pracujących urządzeń gazowych) oraz źródeł zapłonu (np. pracujących grzejników elektrycznych).
- Urządzenie należy przechowywać w pozycji poziomej w suchym, wentylowanym i zadaszonym miejscu.
- Nie przedziurawiać ani nie podpalać urządzenia.
- Należy mieć świadomość faktu, że czynniki chłodnicze mogą być pozbawione zapachu.
- Klimatyzator dachowy należy zamontować w pojeździe o powierzchni podłogi większej niż 4 m<sup>2</sup>.



### **OSTROŻNIE! Nieprzestrzeganie tych uwag może prowadzić do lekkich lub umiarkowanych obrażeń.**

- Urządzenia używać wyłącznie po upewnieniu się, że jego obudowa i kable nie są uszkodzone.
- Nie umieszczać urządzenia w pobliżu łatwopalnych cieczy ani w zamkniętych pomieszczeniach.
- W pobliżu wylotu powietrza nie mogą składowane ani zamontowane być żadne łatwopalne przedmioty. Należy zachować od nich odstęp co najmniej 50 cm.
- Nie sięgać do wylotów powietrza i nie wkładać żadnych przedmiotów do urządzenia.
- Zawsze nosić okulary i rękawice ochronne.



### **UWAGA! Ryzyko uszkodzenia**

- Urządzenie działa optymalnie przy 1020 mbar.
- Urządzenie należy przechowywać w taki sposób, aby nie dopuścić do powstania uszkodzeń mechanicznych.
- Przed montażem urządzenia sprawdzić, czy nie może on spowodować uszkodzenia elementów pojazdu (takich jak lampy, szafki, drzwi). Producent pojazdu mógł już wcześniej przewidzieć punkty, w których można wykonać otwór do montażu urządzenia bez ryzyka osłabienia konstrukcji lub przecięcia przewodów zasilających.
- Przed montażem należy dowiedzieć się od producenta pojazdu, czy konstrukcja pojazdu jest przystosowana do obciążeń statycznych wywoływanych przez klimatyzator dachowy oraz obciążeń występujących, gdy pojazd jest w ruchu.
- Uszczelnić wszystkie otwory wykonane podczas montażu klimatyzatora dachowego.
- Jako miejsce montażu wybrać płaską i odpowiednio poziomą powierzchnię pośrodku dachu pojazdu pomiędzy dwoma podłużnymi profilami.
- Nachylenie dachu w miejscu montażu nie może przekraczać 10 °.
- Upewnić się, czy we wnętrzu pojazdu nie ma przeszkód utrudniających zamocowanie skrzynki rozdzielczej powietrza oraz wydostawanie się ochłodzonego powietrza przez ruchome dysze nawiewu.
- Nie należy dokonywać żadnych modyfikacji ani przebrojeń urządzenia.
- Nigdy nie wjeżdżać pojazdem z zamontowanym urządzeniem do automatycznych myjni samochodowych.
- W razie wystąpienia awarii w układzie chłodniczym należy zlecić kontrolę i właściwą naprawę w specjalistycznym warsztacie.
- Czynniki chłodnicze nie mogą dostać się do atmosfery.
- Należy dowiedzieć się od producenta pojazdu, czy ze względu na montaż klimatyzatora dachowego konieczna będzie zmiana wysokości pojazdu w jego dokumentacji.

## **5 W zestawie**

Nr na rys. <b>1</b> , rys. <b>2</b>	Ilość	Opis
1	1	Jednostka dachowa
2	1	Rama dachowa
3	1	Skrzynka rozdzielcza powietrza (ADB)

Nr na rys. <b>1</b> , rys. <b>2</b>	Ilość	Opis
4	1	Pokrywa środkowa ADB
5	4	Odcinki kanałów
6	3	Łączniki kablowe
7	4	Śruby mocujące
8	1	Pokrywa skrzynki
9	1	<b>Dotyczy tylko FreshJet FJX4233EEH/FJX4333E(EH)/FJX7333IHP/ FJX7337IHP/FJX7457IHP:Pilot</b>

## 6 Akcesoria

Elementy dostępne jako akcesoria (niedostarczane w zestawie):

Opis	Nr katalogowy
Przedłużające odcinki kanału (każdy odcinek obejmuje dodatkowe 10 mm)	4450017931
Dłuższe śruby mocujące M6 x 160 mm (dla grubości dachu 60 ... 120 mm)	4450012023
Oczyszczacz powietrza	4450029486
Nagrzewnica elektryczna	4450029487
Oświetlenie skrzynki rozdzielczej powietrza	4450029488
Filtry do FreshJet FJX4233M	4450024007 4450024008
Filtry do FreshJet FJX4233EEH/FJX4333E(EH)/FJX7333IHP/FJX7337IHP/FJX7457IHP	4450025683

## 7 Użytkowanie zgodne z przeznaczeniem

Klimatyzator dachowy FreshJet FJX jest przeznaczony wyłącznie do montażu na dachu przyczepy kempingowej lub pojazdu rekreacyjnego w celu zapewnienia chłodzenia.

Klimatyzator dachowy **nie** jest przeznaczony do stosowania w pociągach, domach ani mieszkaniach. Klimatyzator dachowy **nie** jest przeznaczony do instalacji w maszynach budowlanych, rolniczych itp.

Niniejszy produkt jest przystosowany wyłącznie do wykorzystywania zgodnie z jego przeznaczeniem oraz zamierzonym zastosowaniem według niniejszej instrukcji.

Niniejsza instrukcja zawiera informacje, które są niezbędne do prawidłowego montażu i/lub obsługi produktu. Nieprawidłowy montaż i/lub niewłaściwa obsługa lub konserwacja powodują niezadawalające działanie i mogą prowadzić do uszkodzeń.



Producent nie ponosi żadnej odpowiedzialności za ewentualne obrażenia lub uszkodzenia produktu wynikłe z następujących przyczyn:

- Nieprawidłowy montaż lub podłączenie, w tym zbyt wysokie napięcie
- Niewłaściwa konserwacja lub użycie innych części zamiennych niż oryginalne części zamienne dostarczone przez producenta
- Wprowadzanie zmian w produkcie bez wyraźnej zgody producenta
- Użytkowanie w celach innych niż opisane w niniejszej instrukcji obsługi

Firma Dometic zastrzega sobie prawo do zmiany wyglądu i specyfikacji produktu.

## 8 Objaśnienie symboli na urządzeniu



Ostrzeżenie! Materiał o niskiej prędkości spalania.



Przeczytać instrukcję obsługi.



Przeczytać instrukcję serwisową.

## 9 Ograniczenia techniczne i warunki zastosowania

Klimatyzator dachowy przeznaczony jest do pojazdów z dachem o grubości w zakresie 25 mm ... 60 mm. Działanie klimatyzatora dachowego jest gwarantowane w temperaturach w zakresie  $-2^{\circ}\text{C}$  ...  $52^{\circ}\text{C}$ . Klimatyzator dachowy przeznaczony jest do montażu pod kątem maks.  $\pm 10^{\circ}$  w stosunku do płaszczyzny poziomej. Wydajność klimatyzatora dachowego może ulec pogorszeniu, jeśli jest on narażony na silne drgania, na przykład spowodowane złymi warunkami na drodze.

## 10 Montaż



### **NIEBEZPIECZEŃSTWO! Ryzyko porażenia prądem**

- Przyłącze elektryczne musi zostać wykonane przez wykwalifikowanego elektryka, posiadającego poświadczoną kompetencje i wiedzę w zakresie budowy i obsługi urządzeń oraz instalacji elektrycznych, który przeszedł szkolenie w zakresie bezpieczeństwa, pozwalające na identyfikację i unikanie występujących zagrożeń.
- Podczas pracy z klimatyzatorem dachowym należy odłączyć wszystkie źródła zasilania.
- Uniemożliwić ponowne podłączenie urządzenia.



### **OSTRZEŻENIE! Ryzyko porażenia prądem**

- Urządzenie należy zamontować zgodnie z krajowymi przepisami dotyczącymi instalacji elektrycznych.
- Przepisy dotyczące instalacji elektrycznych wymagają, aby stała instalacja obejmowała następujące elementy: Wielobiegunowy wyłącznik o szerokości rozwarcia styków 3 mm dla wszystkich biegunów; w przypadku prądu upływowego mogącego przekraczać 10 mA: wyłącznik różnicowoprądowy (RDC) o prądzie zadziałania nieprzekraczającym 30 mA; urządzenie odcłajające zasilanie.
- Jeżeli urządzenie zastępuje okno lub włącz z istotną z punktu widzenia bezpieczeństwa funkcją wentylacji wymuszonej, należy zapewnić dodatkowe zabezpieczające urządzenie wentylacyjne (np. wentylator grzybkowy itp.). W razie wątpliwości należy skontaktować się z producentem pojazdu.
- Jeżeli w pobliżu klimatyzatora dachowego znajduje się komin do odprowadzania spalin, jego wylot musi znajdować się na wysokości co najmniej 10 cm powyżej zainstalowanego klimatyzatora. W razie potrzeby należy przedłużyć komin do odprowadzania spalin. Przestrzegać instrukcji producenta ogrzewania.



### **OSTROŻNIE! Ryzyko obrażeń**

- Nieprawidłowa instalacja klimatyzatora dachowego może spowodować nieodwracalne uszkodzenie urządzenia i zagrożenie bezpieczeństwa użytkownika.
- Klimatyzator dachowy należy przenosić i podnosić zawsze w dwie osoby.
- Przed przystąpieniem do montażu urządzenia (wiercenia, przykręcania itp.) należy sprawdzić położenie istniejących, w szczególności niewidocznych wiązek przewodów, kabli i innych elementów znajdujących się w obszarze montażu.
- Przewody należy podłączać i układać w sposób pozwalający uniknąć potykania się o nie oraz ich uszkodzenia.
- Zawsze nosić okulary i rękawice ochronne.



### **UWAGA! Ryzyko uszkodzenia**

- Urządzenie stanowi szczelny system z zamkniętym obiegiem czynnika chłodniczego. Nie należy go otwierać ani przy nim manipulować.
- W przypadku konieczności przeprowadzenia przewodów przez ściany o ostrych krawędziach należy użyć pustych rurek lub przepustów izolowanych!
- Nie należy układać luźnych albo mocno zgiętych przewodów przy materiałach przewodzących prąd (metalu).
- Nie wolno ciągnąć za przewody.
- Należy zapewnić, aby okablowanie nie było narażone na przedwczesne zużycie, korozję, nadmierny nacisk, działanie wibracji, kontakt z ostrymi krawędziami ani inne niekorzystne czynniki środowiskowe. Należy przy tym również uwzględnić skutki starzenia się materiału oraz ciągłe wibracje, pochodzące ze źródeł takich jak sprężarki czy wentylatory.
- Należy uwzględnić statykę dachu pojazdu. Dach pojazdu musi być przystosowany do masy klimatyzatora dachowego, która nie może wywoływać w nim wklęsnięć ani odkształceń. W razie wątpliwości należy skontaktować się z producentem pojazdu.



### **Wskazówka**

- Specyfikację urządzenia można znaleźć w sekcji Dane techniczne oraz na poniższych tabliczkach znamionowych:
- Tabliczka znamionowa jednostki dachowejrys. **3**
- Tabliczka znamionowa skrzynki rozdzielczej powietrzarys. **4**



Find additional information on roof air conditioners in the operating manual, such as the technical description or the controls, see [documents.dometic.com/?object\\_id=75095](https://documents.dometic.com/?object_id=75095).



rys. **3** na stronie 2 rys. **4** na stronie 2

1. Wybrać sposób montażu klimatyzatora dachowego:

- Wykonanie nowego otworu. W tym przypadku otwór musi być wzmocniony odpowiednią ramą.
- Wykorzystanie istniejącego otworu w pojeździe, takiego jak wąż dachowy lub wymiana starego klimatyzatora dachowego.

### Wykonanie nowego otworu

2. Wybrać powierzchnię pomiędzy dwoma podłużnymi profilami, pośrodku dachu.

rys. **5** na stronie 2

3. Zaznaczyć położenie i rozmiary otworu (400 × 400 mm).

4. Wywiercić otwory w rogach **(A)**.



**UWAGA! Ryzyko uszkodzenia** Uważać, aby nie uszkodzić przewodów elektrycznych. Sprawdzić, któredy przebiegają przewody elektryczne.

rys. **6** na stronie 3

5. Starannie wyciąć otwór w dachu za pomocą piły otwornicy lub podobnego narzędzia **(B)**.

6. Ustalić, czy wycięcie w dachu wymaga wzmocnienia.

7. W razie potrzeby usunąć piankę odpowiednio do szerokości listew wzmacniających (niedostarczanych w zestawie) **(A)**.

rys. **7** na stronie 3

8. Wpasować listwy wzmacniające **(B)**.

### Montaż w istniejącym otworze

9. Wymontować wszystkie śruby i mocowania istniejącego węża dachowego lub klimatyzatora.

rys. **8** na stronie 3

10. Wyjąć wąż dachowy lub klimatyzator dachowy.

11. Należy usunąć materiał uszczelniający wokół otworu za pomocą skrobaka.

rys. **9** na stronie 3

### Ułożenie przewodów przyłączeniowych

12. Porównać dane dotyczące napięcia na tabliczce znamionowej klimatyzatora dachowego z dostępnym źródłem zasilania. Klimatyzator dachowy wymaga podłączenia do obwodu elektrycznego, który może dostarczyć odpowiednie zasilanie (Dane techniczne).

13. Upewnić się, że instalacja elektryczna jest wyposażona w wyłącznik różnicowoprądowy (< 30 mA). W przypadku braku wyłącznika różnicowoprądowego zainstalować go.

14. Po stronie instalacji zamontować wielobiegunowy wyłącznik o szerokości rozwarcia styków co najmniej 3 mm.

15. Dobrać przewód o przekroju odpowiednim do jego długości:

- Długość < 7.5 m: 1.5 mm<sup>2</sup>
- Długość > 7.5 m: 2.5 mm<sup>2</sup>

16. Wykonać otwór po jednej stronie w celu przeprowadzenia przewodu zasilającego.

rys. 10 na stronie 3

17. Przeprowadzić przewód zasilający przez otwór do wnętrza pojazdu.

### Montaż jednostki dachowej

18. Uszczelić ramę dachową za pomocą elastycznej, nietwardniejącej butylowej masy uszczelniającej (np. szczelnym butylowym SikaLastomer-710, Selleys Butyl Mastic, Bostik ezycaulk lub podobnym produktem). Należy uwzględnić uwagi producenta uszczelniacza.

rys. 11 na stronie 4

19. Obrócić ramę dachową odpowiednio do wymiarów otworu.

20. Wpasować ramę dachową w otwór w dachu.

rys. 12 na stronie 4

21. Podnieść jednostkę dachową na dach pojazdu. Należy pamiętać o kierunku jazdy.

22. Umieścić jednostkę dachową na ramie dachowej i ustawić ją równo z rowkiem w ramie dachowej. Podczas wyrównywania względem rowka w ramie dachowej posłużyć się jej przednimi narożnikami.

### Podłączenie elektryczne

23. Podłączyć przewód zasilający.

rys. 13 na stronie 5

- Podłączyć przewody (1) do złączki instalacyjnej (2).
- Podłączyć klimatyzator dachowy do zasilania.
- Podłączyć przewód uziemiający do instalacji uziemiającej pojazdu.

24. **Dotyczy tylko FreshJet FJX4233M:** Przyłączyć kabel łączący jednostkę zewnętrzną ze skrynką rozdzielczą powietrza.

- Lekko wyciągnąć filtr, aby utworzyć szczelinę dla kabla komunikacyjnego (3).
- Przeprowadzić kabel komunikacyjny przez szczelinę i umieścić przewód w otworze.
- Podłączyć 6-pinowy wtyk komunikacyjny do gniazda z boku wyświetlacza w skrynce rozdzielczej powietrza. Upewnić się, że kabel umieszczony jest w małym otworze z dala od obszaru filtra.
- Nadmiar kabla należy zabezpieczyć uchwytach.

25. **Dotyczy tylko FreshJet FJX4233EEH/FJX4333E(EH)/FJX7333IHP/FJX7337IHP/FJX7457IH-**

**P:** Podłączyć przewód komunikacyjny.

- Lekko wyciągnąć filtr, aby utworzyć szczelinę dla kabla komunikacyjnego (4).
- Przeprowadzić kabel komunikacyjny przez szczelinę i ustawić przewód w otworze.
- Podłączyć 4-pinowy wtyk komunikacyjny do gniazda z boku wyświetlacza w skrynce rozdzielczej powietrza. Upewnić się, że kabel umieszczony jest w małym otworze z dala od obszaru filtra.
- Nadmiar kabla należy zabezpieczyć uchwytach.

## Montaż skrzynki rozdzielczej powietrza

26 Złączyć ze sobą odpowiednią liczbę odcinków kanału i przyłożyć je do otworu w dachu w celu porównania z jego grubością: Upewnić się, że wysokość kanału odpowiada grubości dachu lub posłużyć się tabelą.

rys. 14 na stronie 6

Grubość dachu	Liczba odcinków kanału
25 ... 35 mm	1
35 ... 45 mm	2
45 ... 55 mm	3
55 ... 60 mm	4



**Wskazówka** W przypadku grubszych dachów można dokupić dodatkowe odcinki kanałów.

27 Dołączyć wymaganą liczbę odcinków kanałów do skrzynki ADB.

28 Przykręcić skrzynkę rozdzielczą powietrza do sufitu przez jednostkę dachową za pomocą 4 dostarczonych w zestawie śrub. Dokręcić śruby za pomocą klucza dynamometrycznego momentem  $2.5 \text{ Nm} \pm 0.3 \text{ Nm}$ .

rys. 15 na stronie 7

29 Wepchnąć filtr do końca.

rys. 16 na stronie 7

30 Przypiąć pokrywę centralną do skrzynki ADB.

rys. 17 na stronie 8

31 Dowiedzieć się od producenta pojazdu, czy po zamontowaniu klimatyzatora dachowego konieczny będzie odbiór techniczny i zmiana wysokości pojazdu w jego dokumentacji:

- FreshJet FJX4233, FreshJet FJX4333, FreshJet FJX7333: wysokości zwiększona o 225 mm
- FreshJet FJX7337: wysokości zwiększona o 240 mm
- FreshJet FJX7457: wysokości zwiększona o 283 mm

Montaż został zakończony.

Podłączyć zasilanie i sprawdzić, czy klimatyzator dachowy działa.

## 11 Schemat połączeń

### FJX4233M

rys. 18 na stronie 8

### FJX4233E, FJX4333E(EH), FJX7333IHP

rys. 19 na stronie 9

### FJX7337IHP, FJX7457IHP

rys. 20 na stronie 9

## Skrzynka rozdzielcza powietrza

rys. 21 na stronie 10

## 12 Utylizacja



Opakowanie należy w miarę możliwości wrzucić do odpowiedniego pojemnika na odpady do recyklingu. Szczegółowe informacje na temat utylizacji produktu zgodnie z obowiązującymi przepisami można uzyskać w lokalnym zakładzie recyklingu lub u specjalistycznego dystrybutora.






Chroń środowisko naturalne! Akumulatorów i baterii nie należy wrzucać do pojemników na odpady komunalne. Uszkodzone akumulatory lub zużyte baterie należy przekazać do punktu sprzedaży lub odpowiedniego punktu zbiórki.

## 13 Dane techniczne

Zawiera fluorowane gazy cieplarniane Urządzenie zamknięte hermetycznie.

	<b>FreshJet FJX4233M</b>
Wydajność chłodnicza zgodnie z ISO 5151:	1500 W
Napięcie wejściowe AC:	220 V ... 240 V / 50 Hz
Prąd znamionowy chłodzenia:	< 3.3 A
Wymagany bezpiecznik:	4 A
Zakres temperatury roboczej:	- 2 °C ... 52 °C
Czynnik chłodniczy:	R410a
Ilość czynnika chłodniczego:	380 g
Równoważnik CO <sub>2</sub> :	0.793 t
Potencjał tworzenia efektu cieplarnianego (GWP):	2088
Stopień ochrony (jednostki dachowej):	IPX4
Poziom hałasu (przy najwyższym ustawieniu wentylatora)	< 70 dB(A)
Sugerowana maks. długość pojazdu (z izolowanymi ścianami):	< 5 m
Wymiary (dł. x szer. x wys.):	rys. 22

	FreshJet FJX4233M		
Masa:	< 30 kg		
Kontrola/certyfikat:			
	FreshJet FJX4233EEH	FreshJet FJX4333EEH	FreshJet FJX4333E
Wydajność chłodnicza zgodnie z ISO 5151:	1700 W	2200 W	2200 W
Wydajność grzewcza zgodnie z ISO 5151:	800 W	1000 W	-
Napięcie wejściowe AC:	220 V ... 240 V / 50 Hz		
Prąd znamionowy chłodzenia:	3.6 A	4.8 A	4.8 A
Prąd znamionowy ogrzewania:	< 5.2 A	< 5.2 A	-
Wymagany bezpiecznik:	4 A	5 A	6 A
Zakres temperatury roboczej:	- 2 °C ... 52 °C		
Czynnik chłodniczy:	R32		
Ilość czynnika chłodniczego:	320 g	360 g	360 g
Równoważnik CO <sub>2</sub> :	0.216 t	0.243 t	0.243 t
Potencjał tworzenia efektu cieplarnianego (GWP):	675		
Stopień ochrony (jednostki dachowej):	IPX4		
Poziom hałasu (przy najwyższym ustawieniu wentylatora)	< 70 dB(A)		
Sugerowana maks. długość pojazdu (z izolowanymi ścianami):	< 6 m	< 7 m	< 7 m
Wymiary (dł. x szer. x wys.):	rys. 23		
Masa:	< 30 kg	< 30 kg	< 30 kg
Kontrola/certyfikat:			

	FreshJet FJX7333IHP	FreshJet FJX7337IHP	FreshJet FJX7457IHP
Wydajność chłodnicza zgodnie z ISO 5151:	2200 W	3000 W	3500 W
Wydajność grzewcza zgodnie z ISO 5151:	2000 W	2500 W	3000 W
Napięcie wejściowe AC:	220 V ... 240 V / 50 Hz ... 60 Hz	220 V ... 240 V / 50 Hz ... 60 Hz	220 V ... 240 V / 50 Hz ... 60 Hz
Prąd znamionowy chłodzenia:	< 7.5 A	< 7.5 A	< 7.5 A
Prąd znamionowy ogrzewania:	< 6.1 A	< 6.1 A	< 6.1 A
Wymagany bezpiecznik:	6 A	6 A	6 A
Zakres temperatury roboczej:	- 2 °C ... 52 °C	- 2 °C ... 52 °C	- 2 °C ... 52 °C
Czynnik chłodniczy:	R32	R32	R32
Ilość czynnika chłodniczego:	420 g	480 g	650 g
Równoważnik CO <sub>2</sub> :	0.2835 t	0.3240 t	0.43875 t
Potencjał tworzenia efektu cieplarnianego (GWP):		675	
Stopień ochrony (jednostki dachowej):		IPX4	
Poziom hałas (przy najwyższym ustawieniu wentylatora)		< 70 dB(A)	
Sugerowana maks. długość pojazdu (z izolowanymi ścianami):	< 7 m	< 7 m	> 8 m
Wymiary (dł. x szer. x wys.):	rys. 23	rys. 24	rys. 25
Masa:	< 30 kg	< 35 kg	< 40 kg
Kontrola/certyfikat:			



## Slovak

1	Important notes.....	167
2	Vysvetlenie symbolov.....	167
3	Cieľové skupiny.....	168
4	Bezpečnostné pokyny.....	168
5	Rozsah dodávky.....	169
6	Príslušenstvo.....	170
7	Používanie v súlade s určením.....	170
8	Vysvetlenie symbolov na spotrebiči.....	170
9	Technické limity a podmienky.....	171
10	Montáž.....	171
11	Schémy zapojenia.....	175
12	Likvidácia.....	175
13	Technické údaje.....	175

## 1 Important notes

Dôkladne si prečítajte tento návod a dodržiavajte všetky pokyny, usmernenia a varovania uvedené v tomto návode k výrobku, aby bolo zaručené, že výrobok bude vždy správne nainštalovaný, používaný a udržiavaný. Tento návod **MUSÍ** zostať priložený k výrobku.

Používaním tohto výrobku týmto potvrdzujete, že ste si dôkladne prečítali všetky pokyny, usmernenia a varovania a že rozumiete a súhlasíte s dodržiavaním všetkých uvedených podmienok. Súhlasíte, že tento výrobok budete používať iba v súlade so zamýšľaným použitím a v súlade s pokynmi, usmerneniami a varovaniami uvedenými v tomto návode k výrobku, ako aj v súlade so všetkými platnými zákonmi a nariadeniami. V prípade, že si neprečítate a nebudete sa riadiť pokynmi a varovaniami uvedenými v tomto návode, môže mať za následok vaše poranenie alebo poranenie iných osôb, poškodenie vášho výrobku alebo poškodenie majetku v jeho blízkosti. Tento návod na obsluhu výrobku vrátane pokynov, usmernení a varovaní, a súvisiaca dokumentácia môže podliehať zmenám a aktualizáciám. Najaktuálnejšie informácie o výrobku nájdete na adrese [documents.dometic.com](http://documents.dometic.com).

## 2 Vysvetlenie symbolov



**NEBZPEČENSTVO!** Označuje nebezpečnú situáciu, ktorej následkom je smrť alebo vážne zranenie, ak sa jej nezabráni.



**VÝSTRAHA!** Označuje nebezpečnú situáciu, ktorej následkom je smrť alebo vážne zranenie, ak sa jej nezabráni.



**UPOZORNENIE!** Označuje nebezpečnú situáciu, ktorej následkom môže byť malé alebo stredne ťažké zranenie, ak sa jej nezabráni.



**POZOR!** Označuje nebezpečnú situáciu, ktorej následkom môže byť malé alebo stredne ťažké zranenie, ak sa jej nezabráni.



**Poznámka** Doplňujúce informácie týkajúce sa obsluhy produktu.

### 3 Ciel'ové skupiny



Elektrické napájanie musí byť pripojené kvalifikovaným elektrikárom, ktorý preukázal zručnosti a znalosti týkajúce sa konštrukcie a prevádzky elektrických zariadení a absolvoval bezpečnostné školenie na identifikáciu a predchádzanie príslušným nebezpečenstvám.



Mechanickú montáž musí vykonať kvalifikovaný personál, ktorý je oboznámený s konštrukciou a prevádzkou zariadenia a rizikami, ktoré sú s tým spojené.

### 4 Bezpečnostné pokyny



**VÝSTRAHA! Nedodržanie týchto varovaní môže mať za následok smrť alebo vážne poranenie.**

- Opravy spotrebiča smie vykonáva iba kvalifikovaný personál, ktorý je oboznámený s rizikami, ktoré sú s tým spojené, a s príslušnými predpismi. Neodborné opravy môžu zapríčiniť vážne ohrozenia. V prípade potreby opravy sa obráťte na servisné stredisko vo vašej krajine (pozri [dometic.com/dealer](http://dometic.com/dealer)).
- Spotrebič sa musí inštalovať v súlade s vnútroštátnymi predpismi pre elektrickú a mechanickú inštaláciu.
- **Elektrické spotrebiče nie sú detské hračky.** Deti nedokážu správne posúdiť riziká, ktoré predstavujú elektrické prístroje. Nenechávajte deti, aby používali elektrické prístroje bez dozoru.
- Osoby, ktoré z dôvodu ich fyzických, zmyslových či duševných schopností alebo nedostatku neskúsenosti či neznalosti nie sú schopné spotrebič bezpečne používať, ho nesmú používať bez dozoru alebo poučenia od zodpovednej osoby.
- V prípade požiaru **neskladajte** horný kryt spotrebiča. Namiesto toho použite povolené hasiace prostriedky. Na hasenie nepoužívajte vodu.
- Spotrebič musí byť uskladnený v miestnosti bez prítomnosti zdrojov s nepretržitou prevádzkou otvoreného plameňa (napríklad plynový spotrebič v prevádzke) alebo zdrojov zapaľovania (napríklad elektrický ohrievač v prevádzke).
- Spotrebič musí byť uskladnený v horizontálnej polohe na suchom, vetranom a prekrytom mieste.
- Spotrebič neprepichujte alebo nehádzte do ohňa.
- Pamätajte si, že chladivá nemusia vydávať žiadny zápach.
- Strešná klimatizácia sa musí inštalovať do vozidla s podlahovou plochou väčšou ako 4 m<sup>2</sup>.



**UPOZORNENIE! Nedodržanie týchto upozornení môže mať za následok drobné alebo stredne ťažké poranenie.**

- Spotrebič používajte len vtedy, ak ste si istí, že kryt a káble nie sú poškodené.
- Nepoužívajte spotrebič v blízkosti horľavých kvapalín alebo v uzavretých priestoroch.
- Postarajte sa, aby horľavé predmety neboli skladované alebo namontované v blízkosti výstupu vzduchu. Musí byť dodržaná minimálna vzdialenosť 50 cm.
- Nesiahajte do výstupu vzduchu a do spotrebiča nekladajte žiadne cudzie predmety.
- Vždy noste ochranné okuliare a rukavice.



### POZOR! Nebezpečenstvo poškodenia

- Spotrebič funguje optimálne pri 1020 mbar.
- Spotrebič sa musí skladovať tak, aby sa predišlo vzniku mechanického poškodenia.
- Pred montážou skontrolujte, či by sa pri montáži spotrebiča nepoškodili jednotlivé komponenty vozidla (napríklad svetlá, skrinky, dvere). Výrobca vozidla už mohol vyznačiť body, kde je možné urobiť otvor pre montáž spotrebiča bez rizika, že dôjde k oslabeniu konštrukcie alebo preseknutiu elektrických káblov.
- Pred montážou sa poraďte s výrobcom vozidla, či je nadstavba dimenzovaná na statickú hmotnosť a zaťaženie strešnou klimatizáciou, ak je vozidlo v pohybe.
- Utesnite všetky otvory, ktoré vznikli pri inštalácii strešnej klimatizácie.
- Ako miesto montáže vyberte plochú a dostatočne rovnú zónu v strede dvoch pozdĺžnych profilov strechy vozidla.
- Sklon strechy na montážnej ploche nesmie byť väčší ako 10 °.
- Zabezpečte, aby v interiéri vozidla nebola žiadna prekážka, ktorá by bránila upevneniu skrinky rozvádzania vzduchu a prúdeniu studeného vzduchu cez otočné dýzy rozvádzania vzduchu.
- Na prístroje neuskutočňujte žiadne zmeny alebo prestavby!
- S namontovaným spotrebičom nesmiete vojsť s obvytým automobilom do automatickej automyvárne.
- Ak sa v chladiacom okruhu zariadenia vyskytnú poruchy, dajte zariadenie preskúšať a riadne opraviť v špecializovanom servise.
- Chladiaci prostriedok nesmie voľne vypúšťať do atmosféry.
- Informujte sa u vášho výrobcu vozidla, či je kvôli montáži strešnej klimatizácie potrebná zmena záznamu o výške vozidla v technických dokladoch vozidla.

## 5 Rozsah dodávky

Č. na obr. <b>1</b> , obr. <b>2</b>	Počet	Opis
1	1	Strešná jednotka
2	1	Strešný rám
3	1	Skrinka rozvádzania vzduchu (ADB)
4	1	Stredový kryt skrinky ADB
5	4	Potrubné úseky
6	3	Káblové konektory
7	4	Upevňovacie skrutky
8	1	Kryt skrine
9	1	<b>Iba FreshJet FJX4233EEH/FJX4333E(EH)/FJX7333IHP/ FJX7337IHP/FJX7457IHP:</b> Diaľkové ovládanie

## 6 Príslušenstvo

Dostupné ako príslušenstvo (nie je súčasťou dodávky):

Opis	Č. výr.
Nadstavbové potrubné úseky (každý úsek pokryje ďalších 10 mm)	4450017931
Dlhšie upevňovacie skrutky M6 x 160 mm (pre hrúbku strechy 60 ... 120 mm)	4450012023
Čistič vzduchu	4450029486
Elektrický ohrievač	4450029487
Ambientné osvetlenie ADB	4450029488
Filtre pre Freshjet FJX4233M	4450024007 4450024008
Filtre pre Freshjet FJX4233EEH/FJX4333E(EH)/FJX7333IHP/FJX7337IHP/FJX7457IHP	4450025683

## 7 Používanie v súlade s určením

Strešná klimatizácia Freshjet FJX je určená iba pre montáž na strechy karavanov alebo rekreačných vozidiel za účelom chladenia.

Strešná klimatizácia **nie je** vhodná pre vlaky, rodinné domy a byty. Strešná klimatizácia **nie je** vhodná pre montáž do stavebných, poľnohospodárskych alebo podobných pracovných strojov.

Tento výrobok je vhodný iba na použitie na určený účel a použitie v súlade s týmto návodom.

Tento návod obsahuje informácie, ktoré sú nevyhnutné pre správnu inštaláciu a/alebo obsluhu výrobku. Chybná inštalácia a/alebo nesprávna obsluha či údržba bude mať za následok neuspokojivý výkon a možnú poruchu.

Výrobca nenesie žiadnu zodpovednosť za akékoľvek poranenia či škody na výrobku spôsobené:

- nesprávnou montážou alebo pripojením vrátane nadmerného napätia
- nesprávnou údržbou alebo použitím iných ako originálnych náhradných dielov poskytnutých výrobcom
- Zmeny produktu bez výslovného povolenia výrobcu
- Použitie na iné účely než na účely opísané v návode

Firma Dometic si vyhradzuje právo na zmenu vzhľadu a technických parametrov výrobku.

## 8 Vysvetlenie symbolov na spotrebiči



Pozor! Materiál s nízkou rýchlosťou horenia.



Prečítajte si návod na obsluhu.



Prečítajte si servisnú príručku.

## 9 Technické limity a podmienky

Strešná klimatizácia je určená pre vozidlá s hrúbkou strechy 25 mm ... 60 mm. Funkcia strešnej klimatizácie je zaručená pri teplote okolia v rozsahu  $-2\text{ }^{\circ}\text{C}$  ...  $52\text{ }^{\circ}\text{C}$ . Strešná klimatizácia je navrhnutá pre montáž v rozsahu  $\pm 10^{\circ}$  od horizontálnej roviny. Výkon strešnej klimatizácie sa môže znížiť, ak je vystavená silným vibráciám, ktoré napríklad spôsobuje zlý stav vozovky.

## 10 Montáž



### NEBZPEČENSTVO! Nebezpečenstvo úrazu elektrickým prúdom

- Elektrické napájanie musí byť pripojené kvalifikovaným elektrikárom, ktorý preukázal zručnosti a znalosti týkajúce sa konštrukcie a prevádzky elektrických zariadení a inštalácií a absolvoval bezpečnostné školenie na identifikáciu a predchádzanie príslušným nebezpečenstvám.
- Pri prácach na strešnej klimatizácii odpojte všetky zdroje napájania.
- Ubezpečte sa, že zariadenie sa nedá opätovne pripojiť.



### VÝSTRAHA! Nebezpečenstvo úrazu elektrickým prúdom

- Zariadenie sa musí inštalovať v súlade s vnútroštátnymi predpismi pre elektroinštaláciu.
- V súlade s pravidlami zapojenia sa do pevného zapojenia musia zabudovať nasledujúce zariadenia: Celopólové odpojovacie zariadenie, ktoré má na všetkých póloch vzdialenosť minimálne 3 mm v prípade priesakového prúdu, ktorý môže prekročiť 10 mA; prúdový chránič (RCD) v prípade menovitého zvyškového prúdu, ktorý nepresahuje 30 mA; odpojenie.
- Ak zariadenie nahradí okno alebo svetlák s funkciou núteného vetrania dôležitým pre bezpečnosť, je potrebné pridať prídavné bezpečnostné vetracie zariadenia (napr. hubový ventilátor alebo podobne). Ak máte pochybnosti, obráťte sa na výrobcu vozidla.
- Po montáži strešnej klimatizácie je výfukový komín v blízkosti strešnej klimatizácie potrebné zdvihnúť najmenej o 10 cm nad strešnú klimatizáciu. Ak je to nutné, predĺžte výfukový komín. Postupujte podľa pokynov a návodu výrobcu kúrenia.



### UPOZORNENIE! Nebezpečenstvo poranenia

- Nesprávna montáž strešnej klimatizácie môže viesť k neopraviteľným škodám zariadenia a ohroziť bezpečnosť používateľa.
- Strešnú klimatizáciu prenášajte alebo zdvíhajte vždy vo dvojici.
- Pred montážou skontrolujte umiestnenie existujúcich káblových zväzkov, káblov a iných komponentov v oblasti montáže, najmä takých, ktoré nie je vidieť pri montáži zariadenia (pri vrátaní alebo skrutkovaní a pod.).
- Káble upevnite a uložte tak, aby nehrozilo nebezpečenstvo zakopnutia a aby bolo vylúčené poškodenie káblov.
- Vždy používajte ochranné okuliare a rukavice.



### POZOR! Nebezpečenstvo poškodenia

- Zariadenie je utesnený systém s uzavretým chladiacim okruhom. Zariadenie neotvárajte ani s ním nemanipulujte.
- Ak sa musia vedenia viesť cez steny s ostrými hranami, použite duté potrubia príp. priechodky určené pre vedenia.
- Na elektricky vodivé materiály (kovy) neumiestňujte voľné alebo ostro lomené vedenia.
- Nefahajte za káble.
- Skontrolujte, či kabeláž nebude vystavená odieraniu, korózii, nadmernému tlaku, vibráciám, ostrým hranám alebo iným nežiaducim vplyvom prostredia. Pri kontrole je tiež potrebné brať do úvahy aj vplyvy starnutia alebo nepretržitých vibrácií zo zdrojov, ako napríklad kompresorov alebo ventilátorov.
- Rešpektujte statiku strechy vozidla. Strecha vozidla musí byť schopná uniesť hmotnosť strešnej klimatizácie bez toho, aby došlo k jej preliačeniu alebo zdeformovaniu. Ak máte pochybnosti, obráťte sa na výrobcu vozidla.



### Poznámka

- Špecifikácie zariadenia nájdete na Technické údaje a na nasledujúcich typových štítkoch:
- Typový štítok strešnej jednotky obr. **3**
- Typový štítok skrinky rozvážania vzduchu obr. **4**



Find additional information on roof air conditioners in the operating manual, such as the technical description or the controls, see [documents.dometic.com/?object\\_id=75095](https://documents.dometic.com/?object_id=75095).



obr. **3** na strane 2 obr. **4** na strane 2

1. Zvoľte si vlastný spôsob montáže strešnej klimatizácie:

- Vytvorte nový otvor. V tomto prípade musí byť otvor spevnený vhodným rámom.
- Použite existujúci otvor vo vozidle, ako napríklad strešný svetelný alebo výmena starej klimatizácie.

### Vytvorenie nového otvoru

2. Vyberte na streche zónu v strede medzi dvomi pozdĺžnymi profilmi.

obr. **5** na strane 2

3. Označte umiestnenie a rozmery otvoru (400 × 400 mm).

4. Vyvrtajte otvory v rohoch **(A)**.



**POZOR! Nebezpečenstvo poškodenia** Dávajte pozor, aby ste nepoškodili žiadne elektrické káble. Skontrolujte umiestnenie elektrických káblov.

obr. **6** na strane 3

5. Otvor na streche starostlivo a opatrne vyrežte s priamočiarou pílou alebo podobným nástrojom **(B)**.

6. Skontrolujte, či strešný otvor potrebuje spevnenie.

7. Ak je to potrebné, odstráňte vypnenie podľa šírky vašich spevňovacích/vystužovacích líšt (nie sú súčasťou dodávky) **(A)**.

obr. **7** na strane 3

8. Vsaďte spevňovacie/vystužovacie lišty **(B)**.

### Montáž do existujúceho otvoru

9. Demontujte všetky skrutky a upevňovacie prípravky existujúceho strešného svetlíka alebo klimatizácie.

obr. **8** na strane 3

10. Vyberte strešný svetlík alebo strešnú klimatizáciu.

11. Odstráňte tesniacu hmotu okolo otvoru škrabkou alebo pod.

obr. **9** na strane 3

### Uloženie prípojovacích vedení

12. Skontrolujte, či sa údaj o napätí na typovom štítku strešnej klimatizácie zhoduje s údajom na zdroji napájania. Strešná klimatizácia musí byť pripojená do elektrického obvodu, ktorý je schopný poskytovať potrebný prúd (Technické údaje).

13. Zabezpečte, aby zdroj napájania disponoval prúdovým chráničom (< 30 mA). Ak chýba, namontujte prúdový chránič.

14. Namontujte celopólový spínač so šírkou rozpojenia kontaktu minimálne 3 mm na strane montáže.

15. Zvoľte prierez vodiča podľa dĺžky napájacieho kábla:

- Dĺžka < 7.5 m: 1.5 mm<sup>2</sup>
- Dĺžka > 7.5 m: 2.5 mm<sup>2</sup>

16. Vytvorte otvor na jednej strane, aby ste cez tento mohli viesť napájací kábel.

obr. **10** na strane 3

17. Vedte napájací kábel cez otvor do interiéru vozidla.

### Montáž strešnej jednotky

18. Utesnite okolie strešného rámu s pružnou, netvrdnúcou butylovou tesniacou hmotou (napr. SikaLastomer-710, Selseys Butyl Mastic, tesniaca hmota Bostik ezycaulk butyl alebo podobné výrobky). Rešpektujte upozornenia výrobcu tesniacej hmoty.

obr. **11** na strane 4

19. Umiestnite strešný rám podľa rozmerov otvoru.

20. Osadte strešný rám do strešného otvoru.

obr. **12** na strane 4

21. Zdvihnite strešnú jednotku na strechu vozidla. Riadte sa smerom jazdy.

22. Umiestnite strešnú jednotku do strešného rámu a zarovnajte ju do drážky strešného rámu. Pre zarovnanie do drážky strešného rámu použite predného rohy strešného rámu.

## Elektrické pripojenie

23 Pripojte napájací kábel.

obr. 13 na strane 5

- Pripojte káble (1) ku káblovému konektoru (2).
- Strešnú klimatizáciu pripojte k zdroju napájania.
- Pripojte uzemňovací kábel k uzemňovacej sústave vozidla.

24 **Iba FreshJet FJX4233M**:S káblom prepojte externú jednotku a skrinku rozvádžania vzduchu.

- Jemne povytiahnite filter, aby ste vytvorili medzeru pre komunikačný kábel (3).
- Vedzte kábel cez medzeru a umiestnite kábel do otvoru.
- Pripojte 6-kolíkovú komunikačnú zástrčku do zásuvky na strane displeja v skrinke ADB. Ubezpečte sa, že kábel je uložený v malom otvore mimo oblasti filtra.
- Zaistite kábel vo výreze v držiakoch.

25 **Iba FreshJet FJX4233EEH/FJX4333E(EH)/FJX7333IHP/FJX7337IHP/FJX7457IHP**:Pripojte komunikačný kábel.

- Jemne povytiahnite filter, aby ste vytvorili medzeru pre komunikačný kábel (4).
- Vedzte komunikačný kábel cez medzeru a umiestnite kábel do otvoru.
- Pripojte 4-kolíkovú komunikačnú zástrčku do zásuvky na strane displeja v skrinke ADB. Ubezpečte sa, že kábel je uložený v malom otvore mimo oblasti filtra.
- Zaistite kábel vo výreze v držiakoch.

## Montáž skrinky rozvádžania vzduchu

26 Naskladajte potrebné úseky na seba a porovnajte ich s hrúbkou strechy: Ubezpečte sa, že výška potrubia sa zhoduje s hrúbkou strechy alebo použite tabuľku ako pomôcku.

obr. 14 na strane 6

Hrúbka strechy	Počet potrubných úsekov
25 ... 35 mm	1
35 ... 45 mm	2
45 ... 55 mm	3
55 ... 60 mm	4



**Poznámka** Pre hrubšie strechy je možné zakúpiť prídavné potrubné úseky.

27 Upevnite potrebný počet potrubných úsekov na skrinku ADB.

28 Cez strop upevnite skrinku rozvádžania vzduchu k strešnej jednotke pomocou 4 dodaných skrutiek. Utiahnite skrutky momentovým kľúčom s ťahovacím momentom 2.5 Nm ± 0.3 Nm.

obr. 15 na strane 7

29 Filter úplne zatlačte naspäť.

obr. 16 na strane 7

30 Stredový kryt upevnite svorkami k skrinke ADB.

obr. 17 na strane 8



31. Informujte sa u výrobcu vozidla, či je po montáži strešnej klimatizácie potrebná technická prehliadka a či je potrebné zmeniť výšku uvedenú v dokumentoch k vozidlu:

- FreshJet FJX4233, FreshJet FJX4333, FreshJet FJX7333: Zväčšená výška 225 mm
- FreshJet FJX7337: Zväčšená výška 240 mm
- FreshJet FJX7457: Zväčšená výška 283 mm

Montáž je teraz dokončená.

Strešnú klimatizáciu pripojte k zdroju napájania a vyskúšajte, či strešná klimatizácia funguje.

## 11 Schémy zapojenia

### FJX4233M

obr. 18 na strane 8

### FJX4233E, FJX4333E(EH), FJX7333IHP

obr. 19 na strane 9

### FJX7337IHP, FJX7457IHP

obr. 20 na strane 9

### ADB

obr. 21 na strane 10

## 12 Likvidácia



Obalový materiál dávajte podľa možnosti do príslušného recyklovateľného odpadu. Informujte sa v najbližšom recyklačnom stredisku alebo u vášho špecializovaného predajcu o likvidácii výrobku v súlade s príslušnými predpismi týkajúcimi sa likvidácie.




Chráňte životné prostredie! Akumulátory a batérie nepatria do domového odpadu. Vaše poškodené akumulátory alebo prázdne batérie odovzdajte u predajcu alebo v zbernom mieste.


## 13 Technické údaje

Obsahuje fluórované skleníkové plyny. Hermeticky uzatvorené zariadenie.


	<b>FreshJet FJX4233M</b>
Chladiaci výkon v nadväznosti na ISO 5151:	1500 W
Vstupné striedavé napätie:	220 V ... 240 V / 50 Hz
Menovitý prúd chladenia:	< 3.3 A

	<b>FreshJet FJX4233M</b>
Potrebné poistka:	4 A
Rozsah prevádzkovej teploty:	- 2 °C ... 52 °C
Chladiaci prostriedok:	R410a
Množstvo chladiaceho prostriedku:	380 g
Ekvivalent CO <sub>2</sub> :	0.793 t
Potenciál globálneho otepľovania (GWP):	2088
Trieda ochrany (strešná jednotka):	IPX4
Hladina hluku (maximálne otáčky ventilátora)	< 70 dB(A)
Odporúčaná max. dĺžka vozidla (s izolovanými stenami):	< 5 m
Rozmery DxŠxV:	obr. 22
Hmotnosť:	< 30 kg
Skúška/certifikát:	

	<b>FreshJet FJX4233EEH</b>	<b>FreshJet FJX4333EEH</b>	<b>FreshJet FJX4333E</b>
Chladiaci výkon v nadväznosti na ISO 5151:	1700 W	2200 W	2200 W
Vyhrievací výkon v nadväznosti na ISO 5151:	800 W	1000 W	-
Vstupné striedavé napätie:	220 V ... 240 V / 50 Hz		
Menovitý prúd chladenia:	3.6 A	4.8 A	4.8 A
Menovitý prúd vyhrievania:	< 5.2 A	< 5.2 A	-
Potrebné poistka:	4 A	5 A	6 A
Rozsah prevádzkovej teploty:	- 2 °C ... 52 °C		
Chladiaci prostriedok:	R32		
Množstvo chladiaceho prostriedku:	320 g	360 g	360 g

	<b>FreshJet FJX4233EEH</b>	<b>FreshJet FJX4333EEH</b>	<b>FreshJet FJX4333E</b>
Ekvivalent CO <sub>2</sub> :	0.216 t	0.243 t	0.243 t
Potenciál globálneho otepľovania (GWP):		675	
Trieda ochrany (strešná jednotka):		IPX4	
Hladina hluku (maximálne otáčky ventilátora)		< 70 dB(A)	
Odporúčaná max. dĺžka vozidla (§ izolovanými stenami):	< 6 m	< 7 m	< 7 m
Rozmery DxŠxV:		obr. 23	
Hmotnosť:	< 30 kg	< 30 kg	< 30 kg
Skúška/certifikát:			

	<b>FreshJet FJX7333IHP</b>	<b>FreshJet FJX7337IHP</b>	<b>FreshJet FJX7457IHP</b>
Chladiaci výkon v nadväznosti na ISO 5151:	2200 W	3000 W	3500 W
Vyhrievací výkon v nadväznosti na ISO 5151:	2000 W	2500 W	3000 W
Vstupné striedavé napätie:	220 V ... 240 V / 50 Hz ... 60 Hz	220 V ... 240 V / 50 Hz ... 60 Hz	220 V ... 240 V / 50 Hz ... 60 Hz
Menovitý prúd chladenia:	< 7.5 A	< 7.5 A	< 7.5 A
Menovitý prúd vyhrievania:	< 6.1 A	< 6.1 A	< 6.1 A
Potrebné poisťka:	6 A	6 A	6 A
Rozsah prevádzkovej teploty:	- 2 °C ... 52 °C	- 2 °C ... 52 °C	- 2 °C ... 52 °C
Chladiaci prostriedok:	R32	R32	R32
Množstvo chladiaceho prostriedku:	420 g	480 g	650 g
Ekvivalent CO <sub>2</sub> :	0.2835 t	0.3240 t	0.43875 t
Potenciál globálneho otepľovania (GWP):		675	
Trieda ochrany (strešná jednotka):		IPX4	

	<b>FreshJet FJX7333IHP</b>	<b>FreshJet FJX7337IHP</b>	<b>FreshJet FJX7457IHP</b>
Hladina hluku (maximálne otáčky ventilátora)	< 70 dB(A)		
Odporúčaná max. dĺžka vozidla (s izolovanými stenami):	< 7 m	< 7 m	> 8 m
Rozmery DxŠxV:	obr. <b>23</b>	obr. <b>24</b>	obr. <b>25</b>
Hmotnosť:	< 30 kg	< 35 kg	< 40 kg
Skúška/certifikát:			

## Czech

1	Important notes.....	179
2	Vysvětlení symbolů.....	179
3	Cílovéskupiny.....	180
4	Bezpečnostní pokyny.....	180
5	Obsah dodávky.....	181
6	Příslušenství.....	182
7	Použití v souladu s účelem.....	182
8	Vysvětlení symbolů na spotřebiči.....	182
9	Technická omezení a podmínky.....	183
10	Montáž.....	183
11	Schémata zapojení.....	187
12	Likvidace.....	187
13	Technické údaje.....	187

## 1 Important notes

Pečlivě si prosím přečtěte a dodržujte všechny pokyny, směrnice a varování obsažené v tomto návodu k výrobku, abyste měli jistotu, že výrobek budete vždy správně instalovat, používat a udržovat. Tyto pokyny **MUSÍ** být uschovány v blízkosti výrobku.

Používáním výrobku tímto potvrzujete, že jste si pečlivě přečetli všechny pokyny, směrnice a varování a že rozumíte podmínkám uvedeným v tomto dokumentu a souhlasíte s nimi. Souhlasíte s používáním tohoto výrobku pouze k určenému účelu a použití a v souladu s pokyny, směrnicemi a varováními uvedenými v tomto návodu k výrobku a v souladu se všemi příslušnými zákony a předpisy. Pokud si nepřečtete a nebudete dodržovat zde uvedené pokyny a varování, může to vést ke zranění vás i ostatních, poškození vašeho výrobku nebo poškození jiného majetku v okolí. Tento návod k výrobku, včetně pokynů, směrnic a varování a související dokumentace může být předmětem změn a aktualizací. Aktuální informace o výrobku naleznete na [documents.dometic.com](http://documents.dometic.com).

## 2 Vysvětlení symbolů



**NEBEZPEČÍ!** Označuje nebezpečnou situaci, která, pokud se jí nezabrání, bude mít za následek smrt nebo vážné zranění.



**VÝSTRAHA!** Označuje nebezpečnou situaci, která, pokud se jí nezabrání, bude mít za následek smrt nebo vážné zranění.



**UPOZORNĚNÍ!** Označuje nebezpečnou situaci, která, pokud se jí nezabrání, může mít za následek lehké nebo středně těžké zranění.



**POZOR!** Označuje nebezpečnou situaci, která, pokud se jí nezabrání, může mít za následek lehké nebo středně těžké zranění.



**Poznámka** Doplňující informace týkající se obsluhy výrobku.

### 3 Cílovéskupiny



Elektrické napájení musí být připojeno kvalifikovaným elektrikářem, který prokázal dovednosti a znalosti týkající se konstrukce a provozu elektrických zařízení a elektroinstalací a absolvoval bezpečnostní školení, aby byl schopen určit související nebezpečí a zamezit jim.



Mechanickou montáž musí provádět kvalifikovaná osoba, která je obeznámena s konstrukcí a provozem zařízení a souvisejícími riziky.

### 4 Bezpečnostní pokyny



**VÝSTRAHA! Nedodržení těchto varování by mohlo mít za následek smrt nebo vážné zranění.**

- Opravy přístroje směřj provádět pouze odborníci, kteří jsou seznámeni s hrozícími nebezpečími a s příslušnými předpisy. Nesprávně provedené opravy mohou být zdrojem značných rizik. Za účelem opravy se obraťte na servisní středisko ve vaší zemi (viz [dometic.com/dealer](http://dometic.com/dealer)).
- Přístroj je třeba instalovat v souladu s vnitrostátními předpisy týkajícími se elektrické a mechanické instalace.
- **Elektrické přístroje nejsou hračky pro děti!** Děti nedokáží správně posoudit nebezpečí, která jsou spojena s elektrickými přístroji. Děti nenechávejte bez dozoru používat elektrické přístroje.
- Osoby, které z důvodu svých fyzických, senzorických nebo duševních schopností nebo nedostatku zkušeností nebo znalostí nejsou schopny přístroj bezpečně používat, jej nesmějí používat bez dohledu odpovědné osoby nebo bez jejího poučení.
- V případě požáru **neotevírejte** horní skořepinu přístroje. Místo toho použijte schválené hasicí prostředky. Oheň nehas'te vodou.
- Přístroj je třeba skladovat v místnosti, kde trvale nepůsobí otevřený plameny (např. zapnutý plynový spotřebič) a zdroje vznícení (například zapnutý elektrický ohříváč).
- Přístroj je třeba skladovat ve vodorovné poloze na suchém, větraném a krytém místě.
- Přístroj se nesmí propichovat ani spalovat.
- Dbejte na to, že chladiva mohou být bez zápachu.
- Střešní klimatizace se musí instalovat ve vozidle s podlahovou plochou větší než 4 m<sup>2</sup>.



**UPOZORNĚNÍ! Nedodržení těchto upozornění by mohlo mít za následek lehké nebo střední zranění.**

- Přístroj používejte za předpokladu, že jsou kryt přístroje a kabely nepoškozené.
- Přístroj nepoužívejte v blízkosti hořlavých kapalin nebo v uzavřených prostorách.
- Dbejte na to, že v oblasti výstupu vzduchu nesmějí být uloženy ani namontovány žádné hořlavé předměty. Je nutné dodržet vzdálenost minimálně 50 cm.
- Nesahejte do otvorů pro výstup vzduchu a nezavádějte do přístroje cizí předměty.
- Vždy používejte ochranné brýle a rukavice.



### POZOR! Nebezpečí poškození

- Příklad funguje optimálně při teplotě 1020 mbar.
- Příklad musí být skladován tak, aby nedošlo k jeho mechanickému poškození.
- Před montáží přístroje zkontrolujte, zda tím nemůže dojít k případnému poškození součástí vozidla (např. reflektory, skříně, dveře). Výrobce vozidla již možná poskytl místa, kde lze zhotovit otvor pro montáž přístroje bez jakéhokoli rizika oslabení konstrukce nebo přeříznutí silových kabelů.
- Před montáží se poraďte s výrobcem vozidla, zda je nástavba vozidla konstruována tak, aby zachytila statickou hmotnost a zatížení způsobené střešní klimatizací na jedoucím vozidle.
- Utěsněte všechny otvory, které jsou nezbytné k provedení montáže.
- K montáži vyberte ploché a dostatečně rovné místo uprostřed mezi dvěma podélnými profily střechy vozidla.
- Sklon střechy v místě montáže nesmí být větší než 10 °.
- Zkontrolujte, zda nejsou uvnitř vozidla žádné překážky k upevnění rozvaděče vzduchu a zda ochlazený vzduch může proudit nastavitelnými výdechy.
- Neprovádějte žádné úpravy nebo změny přístroje!
- Při instalovaném přístroji nesmíte v žádném případě mýt vozidlo v myčce.
- Pokud dojde k závadě v okruhu chladicího média, musí systém zkontrolovat specializovaná firma a řádně jej opravit.
- Chladicí médium nesmí být vypuštěno do volné atmosféry.
- Položte dotaz výrobcem automobilu, zda nebude z důvodu montáže střešní klimatizace nutná změna zápisu v dokumentaci vozidla týkající se výšky vozidla.

## 5 Obsah dodávky

Č. na obr. 1, obr. 2	Množství	Popis
1	1	Střešní jednotka
2	1	Střešní rám
3	1	Rozvaděč vzduchu (ADB)
4	1	Střední kryt ADB
5	4	Sekce potrubí
6	3	Kabelové konektory
7	4	Upevňovací šrouby
8	1	Kryt skříně
9	1	<b>Pouze FreshJet FJX4233EEH/FJX4333E(EH)/FJX7333IHP/ FJX7337IHP/FJX7457IHP:</b> Dálkový ovladač

## 6 Příslušenství

Dostupné jako příslušenství (není součástí dodávky):

Popis	Č. výr.
Prodlužovací sekce potrubí (každá sekce pokrývá dalších 10 mm)	4450017931
Delší upevňovací šrouby M6 x 160 mm (pro tloušťku střechy 60 ... 120 mm)	4450012023
Čistička vzduchu	4450029486
Elektrický ohřívač	4450029487
ADB okolní světlo	4450029488
Filtry pro FreshJet FJX4233M	4450024007 4450024008
Filtry pro FreshJet FJX4233EEH/FJX4333E(EH)/FJX7333IHP/FJX7337IHP/FJX7457IHP	4450025683

## 7 Použití v souladu s účelem

Střešní klimatizace FreshJet FJX je určena pouze k montáži na střechu karavanu nebo rekreačního vozidla za účelem chlazení.

Střešní klimatizace **není** určena pro vlaky, domy a byty. Střešní klimatizace **není** určena k montáži do stavebních, zemědělských nebo jiných pracovních strojů.

Tento výrobek je vhodný pouze k určenému účelu a použití v souladu s tímto návodem.

Tento návod poskytuje informace, které jsou nezbytné pro řádnou instalaci a/nebo provoz výrobku. Nedostatečná instalace a/nebo nesprávný provoz či údržba povedou k neuspokojivému výkonu a možné závadě.

Výrobce nepřijímá žádnou odpovědnost za jakékoli zranění nebo poškození výrobku vyplývající z následujícího:

- Nesprávné sestavení nebo připojení včetně nadměrného napětí
- Nesprávná údržba nebo použití jiných náhradních dílů než původních dílů dodaných výrobcem
- Změna výrobku bez výslovného souhlasu výrobce
- Použití k jiným účelům, než jsou popsány v tomto návodu

Společnost Dometic si vyhrazuje právo změnit vzhled a specifikace výrobku.

## 8 Vysvětlení symbolů na spotřebiči



Výstraha! Materiál s nízkou rychlostí hoření.





Přečtěte si návod k obsluze.



Přečtěte si servisní příručku.

## 9 Technická omezení a podmínky

Střešní klimatizace je určena pro vozidla se střechemi o tloušťce 25 mm ... 60 mm. Funkce střešní klimatizace je zaručena pro okolní teploty v rozmezí  $-2^{\circ}\text{C}$  ...  $52^{\circ}\text{C}$ . Střešní klimatizace je určena k montáži v rozmezí  $\pm 10^{\circ}$  od vodorovné roviny. Výkon střešní klimatizace se může snížit, pokud je vystavena silným vibracím, například způsobeným špatným stavem vozovky.

## 10 Montáž



### NEBEZPEČÍ! Nebezpečí usmrcení elektrickým proudem

- Elektrické napájení musí být připojeno kvalifikovaným elektrikářem, který prokázal dovednosti a znalosti týkající se konstrukce a provozu elektrických zařízení a elektroinstalací a absolvoval bezpečnostní školení, aby byl schopen určit související nebezpečí a zamezit jim.
- Při práci na střešní klimatizaci odpojte veškerá napájení elektrickým proudem.
- Zajistěte, aby přístroj nebylo možné znovu připojit.



### VÝSTRAHA! Nebezpečí usmrcení elektrickým proudem

- Příklad je třeba instalovat v souladu s vnitrostátními elektroinstalačními předpisy.
- Do pevné elektroinstalace musí být začleněny následující prvky v souladu s předpisy pro elektroinstalaci: Odpojovač všech pólů, který má na všech pólech vzdálenost rozpojených kontaktů min. 3 mm; při svodovém proudu, který může překročit 10 mA, proudový chránič (RCD) se jmenovitým reziduálním provozním proudem nepřesahujícím 30 mA; odpojení.
- Pokud přístroj nahrazuje okno nebo poklop s bezpečnostní funkcí nuceného větrání, je třeba doplnit další bezpečnostní větrací zařízení (např. hříbový ventilátor apod.).V případě pochybností se obraťte na výrobce vozidla.
- Po montáži střešní klimatizace musí výfukový komín v blízkosti střešní klimatizace stoupat alespoň 10 cm nad ní.V případě potřeby výfukový komín prodlužte.Dodržujte pokyny výrobce topidla.



### UPOZORNĚNÍ! Nebezpečí úrazu!

- Nesprávně provedená montáž klimatizace může mít za následek nevratné poškození přístroje a ohrožení bezpečnosti uživatele.
- Při přenášení nebo zvedání střešní klimatizace vám vždy musí někdo pomoci, abyste pracovali ve dvou.
- Při instalaci přístroje (při vrtání, šroubování apod.) ověřte umístění stávajících, a především pak skrytých kabelů, rozvodů a dalších součástí, které mohou být v místě montáže.
- Upevněte a instalujte vodiče tak, aby nehrozilo nebezpečí zakopnutí a nemohlo dojít k poškození kabelů.
- Vždy používejte ochranné brýle a rukavice.



### POZOR! Nebezpečí poškození

- Přístroj je uzavřený systém s uzavřeným okruhem chladiva. Neotvírejte jej a nemanipulujte s ním.
- Pokud musejí být rozvody vedeny kolem stěn s ostrými hranami, použijte chráničky nebo průchodky.
- Nepokládejte volné nebo ostře zalomené vodiče na elektricky vodivé materiály (kov).
- Netahejte za rozvody a vodiče.
- Zkontrolujte, zda kabeláž nebude vystavena opotřebení, korozi, nadměrnému tlaku, vibracím, ostrým hranám nebo jiným nepříznivým vlivům prostředí. Při kontrole je třeba vzít v úvahu také účinky stárnutí nebo neustálých vibrací ze zdrojů, jako jsou kompresory nebo ventilátory.
- Pamatujte na nosnost střechy vozidla. Střecha vozidla musí být schopna unést hmotnost střešní klimatizace, aniž by došlo k jejímu promáčknutí nebo deformaci. V případě pochybností se obraťte na výrobce vozidla.



### Poznámka

- Specifikace přístroje najdete v Technické údaje a na následujících typových štítcích:
- Typový štítek střešní jednotky obr. **3**
- Typový štítek ADB obr. **4**



Find additional information on roof air conditioners in the operating manual, such as the technical description or the controls, see [documents.dometic.com/?object\\_id=75095](https://documents.dometic.com/?object_id=75095).



obr. **3** na stránce 2 obr. **4** na stránce 2

1. Zvolte si způsob instalace střešní klimatizace:

- Zhotovte nový otvor. V tomto případě musí být otvor vyztužen vhodným rámem.
- Použití stávajícího otvoru ve vozidle, jako je například střešní okno, nebo výměna staré střešní klimatizace.

### Provedení nového otvoru

2. Vyberte na střeše místo uprostřed mezi dvěma podélnými profily.

obr. **5** na stránce 2

3. Označte polohu a velikost otvoru (400 × 400 mm).

4. Vyrvejte rohy **(A)**.



**POZOR! Nebezpečí poškození** Zajistěte, aby nedošlo k poškození elektrických napájecích kabelů. Zkontrolujte, kde jsou umístěny elektrické kabely.

obr. **6** na stránce 3

5. Vyřízněte pečlivě otvor ve střeše přímočarou pilou apod. **(B)**.

6. Zkontrolujte, zda musí být provedeno zesílení otvoru ve střeše.

7. Podle potřeby odstraňte pěnovou výplň v závislosti na šířce výztužných lišt (nejsou obsahem dodávky) **(A)**.

obr. **7** na stránce 3

8. Upravte tvar výztužných lišt **(B)**.

### Montáž do stávajícího otvoru

9. Odstraňte všechny šrouby a upevňovací prvky stávajícího střešního okna nebo klimatizace.

obr. **8** na stránce 3

10. Vyjměte střešní okno nebo střešní klimatizaci.

11. Odstraňte těsnicí materiál kolem otvoru škrabkou apod.

obr. **9** na stránce 3

### Pokládka rozvodů

12. Porovnejte údaj o napětí v výrobním štítku střešní klimatizace se stávajícím zdrojem napájení. Střešní klimatizace musí být napojena na proudový obvod, který je konstruován tak, aby dodával potřebný proud (Technické údaje).

13. Ujistěte se, že zdroj napájení je vybaven proudovým chráničem (< 30 mA). Pokud chybí, nainstalujte proudový chránič.

14. Na místě montáže namontujte všepólový spínač s rozpojením na vzdálenost kontaktů alespoň 3 mm.

15. Vyberte průřez napájecího kabelu v souladu s jeho délkou:

- Délka < 7,5 m: 1.5 mm<sup>2</sup>
- Délka > 7,5 m: 2.5 mm<sup>2</sup>

16. Zhotovte otvor na jedné straně, abyste mohli provléct napájecí kabel.

obr. **10** na stránce 3

17. Napájecí kabel zaveďte otvorem dovnitř vozidla.

### Montáž střešní jednotky

18. Střešní rám utěsněte plastickou netuhnoucí butylovou těsnicí hmotou (např. SikaLastomer-710, Selleys Butyl Mastic, butylový tmel Bostik ezycaulk nebo podobné výrobky). Dodržujte pokyny výrobce těsnicí hmoty.

obr. **11** na stránce 4

19. Orientujte střešní rám podle velikosti otvoru.

20. Vsaďte střešní rám do střešního otvoru.

obr. **12** na stránce 4

21. Zvedněte střešní jednotku na střechu vozidla. Pamatujte přitom na směr jízdy.

22. Horní střešní jednotku umístěte do střešního rámu a zarovnejte do drážky střešního rámu. K zarovnání do drážky střešního rámu použijte rohy v přední části střešního rámu.

## Elektrické připojení

23Připojte napájecí kabel.

obr. 13 na stránce 5

- Připojte příslušné kabely (1) vždy k jedné kabelové spojce (2).
- Připojte střešní klimatizaci k napájecímu kabelu.
- Připojte ukostřovací kabel k ukostřovacímu systému vozidla.

24**Pouze FreshJet FJX4233M:**Připojte kabel mezi vnější jednotku a rozvaděč vzduchu.

- Mírně vytáhněte filtr a vytvořte mezeru pro komunikační kabel (3).
- Protáhněte kabel mezerou a umístěte vodič do otvoru.
- Zapojte 6pólovou komunikační zástrčku do zásuvky na boku displeje v ADB.Ujistěte se, že je kabel umístěn do malého otvoru mimo oblast filtru.
- Přebytečný kabel zajistěte v držácích.

25**Pouze FreshJet FJX4233EEH/FJX4333E(EH)/FJX7333IHP/FJX7337IHP/FJX7457IHP:**Připojte komunikační kabel.

- Mírně vytáhněte filtr a vytvořte mezeru pro komunikační kabel (4).
- Protáhněte komunikační kabel mezerou a umístěte vodič do otvoru.
- Zapojte 4pólovou komunikační zástrčku do zásuvky na boku displeje v ADB.Ujistěte se, že je kabel umístěn do malého otvoru mimo oblast filtru.
- Přebytečný kabel zajistěte v držácích.

## Montáž ADB

26Stohujte sekce potrubí a umístěte je proti tloušťce střechy:Ujistěte se, že výška potrubí odpovídá výšce střechy, nebo použijte jako vodičko tabulku.

obr. 14 na stránce 6

Tloušťka střechy	Počet sekcí potrubí
25 ... 35 mm	1
35 ... 45 mm	2
45 ... 55 mm	3
55 ... 60 mm	4



**Poznámka** Pro silnější střechy lze zakoupit další sekce potrubí.

27Na ADB upevněte požadovaný počet sekcí potrubí.

28ADB upevněte ke stropu až ke střešní jednotce 4 dodanými šrouby.Utáhněte šrouby momentovým klíčem a utahovacím momentem 2.5 Nm ± 0.3 Nm.

obr. 15 na stránce 7

29Úplně zatlačte filtr zpět.

obr. 16 na stránce 7

30Připněte středový kryt k ADB.

obr. 17 na stránce 8

3) Informujte se u výrobce vašeho automobilu, zda není nutné po instalaci střešní klimatizace provést technickou kontrolu vozidla (podle § 19 vyhlášky o provozu vozidel na silničních komunikacích) a změnu v dokumentaci vozidla:

- FreshJet FJX4233, FreshJet FJX4333, FreshJet FJX7333: Zvýšená výška 225 mm
- FreshJet FJX7337: Zvýšená výška 240 mm
- FreshJet FJX7457: Zvýšená výška 283 mm

Montáž je nyní dokončena.

Připojte k napájení a vyzkoušejte, zda střešní klimatizace funguje.

## 11 Schémata zapojení

### FJX4233M

obr. 18 na stránce 8

### FJX4233E, FJX4333E(EH), FJX7333IHP

obr. 19 na stránce 9

### FJX7337IHP, FJX7457IHP

obr. 20 na stránce 9

### ADB

obr. 21 na stránce 10

## 12 Likvidace



Obalový materiál pokud možno zlikvidujte do vhodných recyklačních odpadních nádob. Informace o likvidaci výrobku v souladu s platnými předpisy pro likvidaci vám sdělí místní recyklační středisko nebo specializovaný prodejce.




Chraňte životní prostředí! Baterie nevhazujte do běžného domovního odpadu. Vadné nebo použité baterie vraťte svému prodejci nebo je zlikvidujte ve sběrném dvoře.


## 13 Technické údaje

Obsahuje fluorované skleníkové plyny. Hermeticky utěsněné zařízení.

	<b>FreshJet FJX4233M</b>
Chladicí výkon v souladu s ISO 5151:	1500 W
Vstupní napětí střídavého proudu:	220 V ... 240 V / 50 Hz

	<b>FreshJet FJX4233M</b>
Jmenovitý proud chlazení:	< 3.3 A
Požadovaná pojistka:	4 A
Rozsah provozních teplot:	- 2 °C ... 52 °C
Chladicí médium:	R410a
Množství chladicího média:	380 g
Ekvivalent CO <sub>2</sub> :	0.793 t
Potenciál skleníkových plynů (GWP):	2088
Stupeň krytí (střešní jednotka):	IPX4
Hlučnost (nejvyšší nastavení ventilátoru)	< 70 dB(A)
Navržená max. délka vozidla (s izolovanými stěnami):	< 5 m
Rozměry D x Š x V	obr. 22
Hmotnost:	< 30 kg
Zkouška/certifikát:	

	<b>FreshJet FJX4233EEH</b>	<b>FreshJet FJX4333EEH</b>	<b>FreshJet FJX4333E</b>
Chladicí výkon v souladu s ISO 5151:	1700 W	2200 W	2200 W
Chladicí výkon v souladu s ISO 5151:	800 W	1000 W	-
Vstupní napětí střídavého proudu:	220 V ... 240 V / 50 Hz		
Jmenovitý proud chlazení:	3.6 A	4.8 A	4.8 A
Jmenovitý proud topení:	< 5.2 A	< 5.2 A	-
Požadovaná pojistka:	4 A	5 A	6 A
Rozsah provozních teplot:	- 2 °C ... 52 °C		
Chladicí médium:	R32		
Množství chladicího média:	320 g	360 g	360 g

	<b>FreshJet FJX4233EEH</b>	<b>FreshJet FJX4333EEH</b>	<b>FreshJet FJX4333E</b>
Ekvivalent CO <sub>2</sub> :	0.216 t	0.243 t	0.243 t
Potenciál skleníkových plynů (GWP):	675		
Stupeň krytí (střešní jednotka):	IPX4		
Hlučnost (nejvyšší nastavení ventilátoru)	< 70 dB(A)		
Navržená max. délka vozidla (s izolovanými stěnami):	< 6 m	< 7 m	< 7 m
Rozměry D x Š x V	obr. 23		
Hmotnost:	< 30 kg	< 30 kg	< 30 kg
Zkouška/certifikát:			

	<b>FreshJet FJX7333IHP</b>	<b>FreshJet FJX7337IHP</b>	<b>FreshJet FJX7457IHP</b>
Chladicí výkon v souladu s ISO 5151:	2200 W	3000 W	3500 W
Chladicí výkon v souladu s ISO 5151:	2000 W	2500 W	3000 W
Vstupní napětí střídavého proudu:	220 V ... 240 V / 50 Hz ... 60 Hz	220 V ... 240 V / 50 Hz ... 60 Hz	220 V ... 240 V / 50 Hz ... 60 Hz
Jmenovitý proud chlazení:	< 7.5 A	< 7.5 A	< 7.5 A
Jmenovitý proud topení:	< 6.1 A	< 6.1 A	< 6.1 A
Požadovaná pojistka:	6 A	6 A	6 A
Rozsah provozních teplot:	- 2 °C ... 52 °C	- 2 °C ... 52 °C	- 2 °C ... 52 °C
Chladicí médium:	R32	R32	R32
Množství chladicího média:	420 g	480 g	650 g
Ekvivalent CO <sub>2</sub> :	0.2835 t	0.3240 t	0.43875 t
Potenciál skleníkových plynů (GWP):	675		
Stupeň krytí (střešní jednotka):	IPX4		
Hlučnost (nejvyšší nastavení ventilátoru)	< 70 dB(A)		

	<b>FreshJet FJX7333IHP</b>	<b>FreshJet FJX7337IHP</b>	<b>FreshJet FJX7457IHP</b>
Navržená max. délka vozidla (s izolovanými stěnami):	< 7 m	< 7 m	> 8 m
Rozměry D x Š x V	obr. 23	obr. 24	obr. 25
Hmotnost:	< 30 kg	< 35 kg	< 40 kg
Zkouška/certifikát:			



## Hungarian

1	Important notes.....	191
2	Szimbólumok magyarázata.....	191
3	Célcsoportok.....	192
4	Biztonsági útmutatások.....	192
5	A csomag tartalma.....	193
6	Tartozékok.....	194
7	Rendeltetésszerű használat.....	194
8	Szimbólumok magyarázata a készüléken.....	195
9	Műszaki korlátok és feltételek.....	195
10	Szerelés.....	195
11	Kapcsolási rajzok.....	199
12	Ártalmatlanítás.....	199
13	Műszaki adatok.....	200

## 1 Important notes

A termék mindenkoriszakszerű telepítése, használata és karbantartása érdekében kérjük figyelmesen olvassa el az ebben a termék kézikönyvben található utasításokat, irányelveket és figyelmeztetéseket, valamint mindig tartsa be ezeket. Ezt az útmutatót a termék közelében KELL tartani.

A termék használatba vételével Ön kijelenti hogy figyelmesen elolvasta az összes utasítást, irányelvet és figyelmeztetést, valamint megértette és elfogadja az itt leírt szerződési feltételeket. Ön elfogadja, hogy kizárólag a rendeltetésének megfelelő célra és a jelen termék kézikönyvben leírt útmutatásoknak, irányelveknek és figyelmeztetéseknek, valamint a hatályos törvényeknek és szabályozásoknak megfelelően használja ezt a terméket. Az itt leírt utasítások és figyelmeztetések elolvasásának és betartásának elmulasztása saját és mások sérüléséhez, a termék vagy a közelben található más anyagi javak károsodásához vezethet. Ez a termék kézikönyv és a benne található utasítások, irányelvek és figyelmeztetések, valamint a kapcsolódó dokumentációk módosulhatnak és frissülhetnek. Naprakész termékinformációk érdekében kérjük látogasson el a következő honlapra: [documents.dometic.com](http://documents.dometic.com).

## 2 Szimbólumok magyarázata



**VESZÉLY!** Veszélyes helyzetet jelöl, amely súlyos sérülést vagy halált okoz, ha nem kerülik el.



**FIGYELMEZTETÉS!** Veszélyes helyzetet jelöl, amely súlyos sérülést vagy halált okoz, ha nem kerülik el.



**VIGYÁZAT!** Veszélyes helyzetet jelöl, amely könnyű vagy mérsékelt sérülést okozhat, ha nem kerülik el.



**FIGYELEM!** Veszélyes helyzetet jelöl, amely könnyű vagy mérsékelt sérülést okozhat, ha nem kerülik el.



**Megjegyzés** A termék kezelésére vonatkozó kiegészítő információk.

### 3 Célcsoportok



Az elektromos áramellátást olyan szakképzett villanyszerelőnek kell csatlakoztatnia, aki bizonyítottan rendelkezik az elektromos berendezések és szerelvények építésével és működtetésével kapcsolatos készségekkel és ismeretekkel, és az ezzel járó veszélyek felismerése és elkerülése érdekében biztonsági képzésben részesült.



Egy szakképzett személy is elvégezheti a mechanikai szerelést, feltéve hogy ismeri a berendezés felépítését és működését, valamint az ezzel járó veszélyeket.

### 4 Biztonsági útmutatások



**FIGYELMEZTETÉS!** Ezeknek a figyelmeztetéseknek a figyelmen kívül hagyása súlyos, vagy halálos sérüléshez vezethet.

- A készülék javítást csak olyan szakember végezheti, aki ismeri az ezzel kapcsolatos veszélyeket, illetve vonatkozó előírásokat. A szakszerűtlen javítások jelentős veszélyeket okozhatnak. Javítás esetén forduljon az Ön országában illetékes szervizközponthoz (lásd: [dometic.com/dealer](http://dometic.com/dealer)).
- A készüléket az elektromos és mechanikai beépítésre vonatkozó országos előírásoknak megfelelően kell telepíteni.
- **Az elektromos berendezés nem játék.** A gyermekek az elektromos készülékekből eredő veszélyeket nem tudják ténylegesen felmérni. Soha ne hagyja, hogy gyermekek felügyelet nélkül elektromos készülékeket használjanak.
- Azok a személyek, akik fizikai, érzékszervi vagy szellemi képességeik, illetve tapasztalatlanságuk vagy hiányos ismereteik miatt nem képesek biztonságosan használni a készüléket, felelős személy felügyelete vagy útmutatásai nélkül nem használhatják ezt.
- Tűz esetén **ne** vegye le a készülék felső fedelét. Helyette használjon engedélyezett oldószereket. Az oltáshoz ne használjon vizet.
- A készüléket olyan helyiségben kell tárolni, ahol nincs folyamatosan működő nyílt láng (például üzemelő gázkészülék) és szikraforrás (például üzemelő elektromos fűtőttest).
- A készüléket vízszintesen, száraz, szellőztetett és fedett helyen kell tárolni.
- Ne szúrja ki és ne dobja tűzbe a készüléket.
- Vegye figyelembe, hogy a hűtőközegek szagtalanok lehetnek.
- A tetőklima-berendezést olyan járműbe kell beszerelni, amelynek padlófelülete nagyobb, mint 4 m<sup>2</sup>.



**VIGYÁZAT! Ezeknek a felhívásoknak a figyelmen kívül hagyása könnyű vagy mérsékelt sérüléshez vezethet.**

- A készüléket csak akkor üzemeltesse, ha a ház és a vezetékek nem sérültek.
- Ne használja a készüléket gyúlékony folyadékok közelében vagy zárt térben.
- Ügyeljen arra, hogy a levegőkivezető nyílás területén ne legyenek éghető tárgyak tárolva vagy felszerelve. A távolság legalább 50 cm legyen.
- Ne nyúljon a levegőkivezető nyílásaiba, és ne vezessen be idegen tárgyakat a készülékbe.
- Mindig viseljen védőszemüveget és védőkesztyűt.



**FIGYELEM! Károsodás veszélye**

- A készülék optimálisan üzemli hőmérséklete: 1020 mbar.
- A készüléket úgy kell tárolni, hogy ne keletkezzenek mechanikai sérülések.
- A felszerelés előtt ellenőrizze, hogy a felszerelés következtében nem sérülnek-e a készülék szerkezeti elemei (például lámpák, szekrények, ajtók). Lehetséges, hogy a jármű gyártója már kijelölt olyan pontokat, ahol anélkül alakítható ki nyílás a készülék felszerelése számára, hogy a szerkezet gyengítésének vagy a tápkábelek elvágásának veszélye állna fenn.
- Annak ellenőrzése érdekében, hogy a szerkezetet a statikus súllyra és a tető klímaberendezés terhelésére tervezték-e, amikor a jármű mozgásban van, a beszerelés előtt konzultáljon a jármű gyártójával.
- A tetőklíma-berendezés beépítésekor kialakított összes nyílást tömítse ki.
- A felszereléshez lapos és kellően sima területet válasszon a járműtető két hosszanti profilja között, középen.
- A felszerelés helyén a tető hajlásszöge nem lehet nagyobb mint 10 °.
- Biztosítsa, hogy a jármű belső terében a levegőelosztó doboz rögzítése ne legyen akadályozva, és a lehűtött levegő az elfordítható légeosztó fúvókán keresztül kiáramolhasson.
- Ne végezzen módosításokat vagy átépítéseket a készüléken!
- Felszerelt tetőklíma-berendezéssel tilos autósosó berendezésbe behajtani.
- A hűtőközegkörben előforduló hibák esetén a rendszer szakcéggel kell ellenőriztetni és megfelelően meg kell javítani.
- Tilos a hűtőközeget a légkörbe engedni.
- Kérdezze meg a jármű gyártójától, hogy a tetőklíma-berendezés járműre történő ráépítése szükségessé teszi-e a forgalmi engedélyben bejegyzett járműmagasság módosítását.

## 5 A csomag tartalma

Sz. ebben: . ábra <b>1</b> , . ábra <b>2</b>	Mennyiség	Leírás
1	1	Tetőegység
2	1	Tetőszerkezet
3	1	Levegőelosztó doboz (ADB)
4	1	ADB középső burkolata

Sz. ebben: . ábra <b>1</b> , . ábra <b>2</b>	Mennyiség	Leírás
5	4	Átvezető elemek
6	3	Kábelcsatlakozók
7	4	Rögzítőcsavarok
8	1	Doboz fedél
9	1	<b>Csak a következő modelleknél: FreshJet FJX4233EEH/ FJX4333E(EH)/FJX7333IHP/FJX7337IHP/FJX7457IHP:</b> Távírányító

## 6 Tartozékok

Tartozékként kapható (nincs mellékelve):

Leírás	Cikksz.
Kiegészítő átvezető elemek (minden egyes elem plusz 10 mm-t jelent)	4450017931
Hosszabb rögzítőcsavarok M6 x 160 mm (60 ... 120 mm tetővastagsághoz)	4450012023
Levegőtisztító	4450029486
Elektromos fűtő	4450029487
ADB térvilágítás	4450029488
Szűrők FreshJet FJX4233M készülékhez	4450024007 4450024008
Szűrők FreshJet FJX4233EEH/FJX4333E(EH)/FJX7333IHP/FJX7337IHP/FJX7457IHP	4450025683

## 7 Rendeltetészerű használat

A FreshJet FJX tetőklíma-berendezés hűtés biztosítása céljából kizárólag lakókocsi vagy lakóautó tetejére történő felszerelésre alkalmas.

A tetőklíma-berendezés vonatkozhoz, házakhoz és lakásokhoz **nem** alkalmas. A tetőklíma-berendezés építőipari gépekbe, mezőgazdasági gépekbe vagy hasonló munkakészülékekbe történő beszerelésre **nem** alkalmas.

Ez a termék az itt leírt utasításoknak megfelelő rendeltetészerű használatra alkalmas.

Ez a kézikönyv olyan információkat nyújt, amelyek a termék szakszerű telepítéséhez és/vagy üzemeltetéséhez szükségesek. A hibás telepítés és/vagy a szakszerűtlen üzemeltetés vagy karbantartás elégtelen teljesítményhez és potenciálisan meghibásodáshoz vezethet.

A gyártó nem vállal felelősséget a termék olyan károsodásáért, vagy sérülésekért, amelyek a következőkre vezethetők vissza:

- Hibás összeszerelés vagy csatlakoztatás, ideértve a túlfeszültséget is
- Helytelen karbantartás, vagy a gyártó által szállított eredeti cserealkatrészekből eltérő cserealkatrészek használata
- A termék kifejezett gyártói engedély nélküli módosítása
- Az útmutatóban leírt céloktól eltérő felhasználás

A Dometic fenntartja a termék megjelenésének és specifikációjának módosítására vonatkozó jogát.

## 8 Szimbólumok magyarázata a készüléken



Figyelmeztetés! Kis sebességgel égő anyag.



Olvassa el a használati utasítást.



Olvassa el a szerviz kézikönyvet.

## 9 Műszaki korlátok és feltételek

A tetőklíma-berendezés 25 mm ... 60 mm vastagságú tetővel rendelkező járművekhez alkalmas. A tetőklíma-berendezés működése  $-2\text{ }^{\circ}\text{C}$  ...  $52\text{ }^{\circ}\text{C}$  közötti környezeti hőmérsékleten garantált. A tetőklíma-berendezést a vízszintes síkhoz képest  $\pm 10^{\circ}$  belüli eltéréssel kell felszerelni. Ha erős rezgéseknek van kitéve, például rossz útviszonyok miatt, akkor a tetőklíma-berendezés teljesítménye csökkenhet.

## 10 Szerelés



### **VESZÉLY! Áramütés miatti veszély**

- Az elektromos áramellátást olyan szakképzett villanyszerelőnek kell csatlakoztatnia, aki bizonyítottan rendelkezik az elektromos berendezések és szerelvények építésével és működtetésével kapcsolatos készségekkel és ismeretekkel, és az ezzel járó veszélyek felismerése és elkerülése érdekében biztonsági képzésben részesült.
- A tetőklíma-berendezésen végzendő munkák előtt szakítsa meg az összes feszültségellátást.
- Biztosítsa, hogy a készüléket ne lehessen újra csatlakoztatni.



### FIGYELMEZTETÉS! Áramütés miatti veszély

- A készüléket a bekötésre vonatkozó országos előírásoknak megfelelően kell telepíteni.
- A kábelezési szabályoknak megfelelően a következőket kell beépíteni a rögzített kábelezésbe: Olyan összes pólust megszakító berendezés, amely minden póluson legalább 3 mm szabad helyel rendelkezik; ha a szivárgási áram meghaladhatja a 10 mA értéket, olyan hibaáram védőkapcsoló (RCD), amelynek névleges maradvány üzemi árama nem haladja meg a 30 mA értéket; megszakító.
- Ha a készülék biztonsági szempontból fontos, kényszerzellőztető funkcióval rendelkező ablak vagy tetőablak helyettesítésére szolgál, akkor további biztonsági szellőzőberendezést (pl. gombaventilátort vagy hasonlót) kell beszerelni. Bizonytalanság esetén forduljon a jármű gyártójához.
- A tetőklíma-berendezés beszerelése után a tetőklíma-berendezés közelében lévő elszívó kürtőnek legalább 10 cm magasabbra kell emelkednie a tetőklíma-berendezésnél. Szükség esetén hosszabbítsa meg az elszívó kürtőt. Tartsa be a fűtőberendezés gyártójának utasításait.



### VIGYÁZAT! Sérülésveszély

- A tetőklíma-berendezés hibás felszerelése a készülék helyrehozhatatlan károsodását okozhatja és a felhasználó biztonságát veszélyeztetheti.
- A tetőklíma-berendezést mindig két személy vigye vagy emelje.
- A készülék beszerelése előtt (fűrés, csavarozás, stb.) ellenőrizze a meglévő - különösen a nem látható - kábelkötegek, vezetékek és a szerelési tartományban lévő más részegységek elhelyezkedését.
- A vezetékeket úgy csatlakoztassa és helyezze el, hogy ne keletkezzen botlásveszély, és a vezeték ne sérülhessen meg.
- Mindig viseljen védőszemüveget és védőkesztyűt.



### FIGYELEM! Károsodás veszélye

- A készülék zárt hűtőközeg körrel rendelkező zárt rendszer. Ne nyissa ki és ne manipulálja.
- Ha a vezetékeket éles peremű falakon kell átvezetnie, akkor használjon kábelcsatornákat!
- Ne vezessen laza vagy élesen megtört vezetékeket elektromosan vezető anyagokon (fém).
- A vezetékekre ne fejtse ki húzóerőt.
- Ellenőrizze, hogy a kábelezés ne legyen kitéve kopásnak, korrózióknak, túlzott nyomásnak, rezgésnek, éles szegélyeknek vagy más káros környezeti hatásoknak. Az ellenőrzésnek figyelembe kell vennie az öregedést, vagy az olyan források, mint a kompresszorok vagy ventilátorok által keltett folyamatos rezgések hatásait is.
- Vegye figyelembe a járműteto szerkezeti szilárdságát. A jármű tetejének képesnek kell lennie a tetőklíma-berendezés súlyának megtartására anélkül, hogy behorpadna vagy deformálódna. Bizonytalanság esetén forduljon a jármű gyártójához.



### Megjegyzés

- A készülék specifikációit itt: Műszaki adatok és a következő adattáblákon találhatja meg:
- Tetőegység adattábla. ábra **3**
- ADB adattábla. ábra **4**



Find additional information on roof air conditioners in the operating manual, such as the technical description or the controls, see [documents.dometic.com/?object\\_id=75095](https://documents.dometic.com/?object_id=75095).



**3** . ábra, 2. oldal **4** . ábra, 2. oldal

- Válassza ki a tetőklíma-berendezés felszerelésének módját:
  - Új nyílás elkészítése. Ebben az esetben a nyílást megfelelő kerettel kell megerősíteni.
  - A jármű meglévő nyílásának használata, például tetőablaknyílás használata vagy régi tetőklíma-berendezés cseréje.

### Új nyílás létrehozása

- Válasszon ki a tetőn egy területet középen, két hosszanti profil között.

**5** . ábra, 2. oldal

- Jelölje ki a nyílás pozícióját és méretét (400 × 400 mm).
- Fúrja ki a sarkokat **(A)**.



**FIGYELEM! Károsodás veszélye** Ennek során biztosítsa, hogy az elektromos kábelek ne sérüljenek meg. Ellenőrizze az elektromos kábelek helyét.

**6** . ábra, 3. oldal

- Lyukfűrész vagy hasonló szerszám használatával óvatosan vágja ki a nyílást a tetőn **(B)**.
- Ellenőrizze, hogy a tetőkivágást meg kell-e erősíteni.
- Ha igen, akkor távolítsa el a habanyagot a merevítőlecek (ezeket a csomag nem tartalmazza) szélességében **(A)**.

**7** . ábra, 3. oldal

- Illessze be a megerősítőleceket **(B)**.

### Meglévő nyílásba történő beszerelés

- Távolítsa el a meglévő tetőablaknyílás vagy klímaberendezés összes csavarját és rögzítését.

**8** . ábra, 3. oldal

- Vegye le a tetőablaknyílást vagy a tetőklíma-berendezést.
- Távolítsa el a nyílás körüli tömítőanyagot kaparóval vagy hasonló eszközzel.

**9** . ábra, 3. oldal

### A csatlakozóvezetékek elhelyezése

- Ellenőrizze, hogy a tetőklíma-berendezés adattábláján feltüntetett feszültségadat megegyezik-e a áramellátás feszültségadatával. A tetőklíma-berendezés csak olyan áramkörre csatlakoztatható, amely képes a szükséges áram biztosítására (Műszaki adatok).
- Gondoskodjon arról, hogy az áramellátás rendelkezzen hibaáram védőkapcsolóval (< 30 mA). Ha nincs ilyen, telepítsen hibaáram védőkapcsolót.
- Szereljen fel egy olyan összpólusú kapcsolót, amely a beszerelés oldalán legalább 3 mm széles csatlakozónyílással rendelkezik.
- Válassza meg a hosszak megfelelő tápkábel keresztmetszetet:
  - Hossz < 7,5 m: 1,5 mm<sup>2</sup>
  - Hossz > 7,5 m: 2,5 mm<sup>2</sup>
- Az egyik oldalon alakítson ki nyílást, amelyen átvezethető a tápkábel.
- Vezesse át a tápkábelt a nyíláson a jármű belső terébe.

**10** . ábra, 3. oldal

## A tetőegység felszerelése

18.Rugalmas, nem kikeményedő butil tömítőanyaggal (pl. SikaLastomer-710, Selleys Butyl Mastic, Bostik ezycaulk butil tömítőanyag vagy hasonló termékek) tömítse a tetőkeret körüli részeket. Vegye figyelembe a tömítőanyaggyártó útmutatásait.

**11.** ábra, 4. oldal

19.A nyílás méretének megfelelően igazítsa be a tetőkeretet.

20.Helyezze be a tetőkeretet a tetőnyílásba.

**12.** ábra, 4. oldal

21.Emelje fel a tetőegységet a járműtetőre.Vegye figyelembe a menetirányt.

22.Helyezze a tetőegységet a tetőszerkezetbe, és igazítsa a tetőszerkezet hornyába.A tetőszerkezet hornyába való igazításhoz használja a tetőszerkezet elején lévő sarkokat.

## Elektromos csatlakoztatás

23.Csatlakoztassa a tápkábelt.

**13.** ábra, 5. oldal

- Csatlakoztassa a kábeleket **(1)** egy kábelösszekötőhöz **(2)**.
- Csatlakoztassa a tetőklima-berendezést az áramellátáshoz.
- Csatlakoztassa a földelőkábelt a jármű földelési rendszeréhez.

24.**Csak a FreshJet FJX4233M modellnél:**Csatlakoztassa a kültéri egység és a levegőelosztó doboz közötti kábelt.

- A szűrőt kissé kihúzva hozzon létre rést a kommunikációs kábel **(3)** számára.
- Vezesse át a kommunikációs kábelt a résen, és helyezze el a nyílásban a vezetékét.
- Csatlakoztassa a 6 tűs kommunikációs dugaszt az ADB egységhez, a kijelző oldalán található aljzathoz.Ügyeljen arra, hogy a vezeték a szűrő területéről kivezető kis nyílásban legyen.
- Rögzítse a tartókba a felesleges vezetékét.

25.**Csak a következő modelleknél: FreshJet FJX4233EEH/FJX4333E(EH)/FJX7333IHP/FJX7337IHP/FJX7457IHP:**Csatlakoztassa a kommunikációs kábelt.

- A szűrőt kissé kihúzva hozzon létre rést a kommunikációs kábel **(4)** számára.
- Vezesse át a kommunikációs kábelt a hézagon, és helyezze el a nyílásban a vezetékét.
- Csatlakoztassa a 4 tűs kommunikációs dugaszt az ADB egységhez, a kijelző oldalán található aljzathoz.Ügyeljen arra, hogy a vezeték a szűrő területéről kivezető kis nyílásban legyen.
- Rögzítse a tartókba a felesleges vezetékét.

## Az ADB telepítése

26.Illlessze egymásba a légcsatorna szakaszokat, és mérje a tető vastagságához:Biztosítsa hogy a légcsatorna magasság megegyezzen a tető magasságával, vagy használja a táblázatot segítségként.

**14.** ábra, 6. oldal

Tetővastagság	Átvezető elemek száma
25 ... 35 mm	1
35 ... 45 mm	2
45 ... 55 mm	3



Tetővastagság	Átvezető elemek száma
55 ... 60 mm	4



**Megjegyzés** Vastagabb tetőkhöz plusz átvezető elemek vásárolhatók.

27.Csatlakoztassa a szükséges számú átvezető elemet az ADB-re.

28A mellékelt 4 darab csavart a tetőegységen átvezetve rögzítse az ADB egységet a mennyezetre. Nyomatékkulcs használatával,  $2,5 \text{ Nm} \pm 0,3 \text{ Nm}$  meghúzási nyomatékkal rögzítse a csavarokat.

**15.** ábra, 7. oldal

29Teljesen nyomja vissza a szűrőt.

**16.** ábra, 7. oldal

30Pattintsa fel az ADB középső burkolatát.

**17.** ábra, 8. oldal

31.Érdeklődj meg járműve gyártójától, hogy tetőklíma-berendezés felszerelését követően szükség van-e műszaki felülvizsgálatra, és hogy módosítani kell-e a jármű dokumentumaiban szereplő magasságot:

- FreshJet FJX4233, FreshJet FJX4333, FreshJet FJX7333: Megnövekedett magasság 225 mm
- FreshJet FJX7337: Megnövekedett magasság 240 mm
- FreshJet FJX7457: Megnövekedett magasság 283 mm

Ezzel befejeződött a felszerelés.

Csatlakoztassa az áramellátást és tesztelje a tetőklíma-berendezés működését.

## 11 Kapcsolási rajzok

### FJX4233M

**18.** ábra, 8. oldal

### FJX4233E, FJX4333E(EH), FJX7333IHP készülékhez

**19.** ábra, 9. oldal

### FJX7337IHP, FJX7457IHP

**20.** ábra, 9. oldal

### ADB

**21.** ábra, 10. oldal

## 12 Ártalmatlanítás



A csomagolóanyagot lehetőség szerint a megfelelő szelektív hulladékgyűjtő tartályokba kell helyezni. A termékre vonatkozó ártalmatlanítási előírásokról tájékozódjon a legközelebbi újrahasznosító központban, vagy szakkereskedőjénél.






Védje környezetét! Az akkumulátorok és elemek nem kezelhetők háztartási hulladékként. Adja le a meghibásodott akkumulátorokat vagy elhasznált elemeket a kereskedőnél vagy egy gyűjtőhelyen.

## 13 Műszaki adatok


Fluorozott üvegházhatású gázokat tartalmaz. Hermetikusan zárt berendezés.

	<b>FreshJet FJX4233M</b>
Hűtőteljesítmény (ISO 5151 szerint):	1500 W
Váltakozó áramú bemeneti feszültség:	220 V ... 240 V / 50 Hz
Hűtés névleges áramerőssége:	< 3.3 A
Szükséges biztosíték:	4 A
Üzemelési hőmérséklet-tartomány:	- 2 °C ... 52 °C
Hűtőközeg:	R410a
Hűtőközeg mennyisége:	380 g
CO <sub>2</sub> egyenérték:	0.793 t
Üvegház-potenciál (GWP):	2088
Védelmi osztály (tetőegység):	IPX4
Zajszint (legmagasabb ventilátor-beállítás)	< 70 dB(A)
Javasolt max. járműhossz (szigetelt falakkal):	< 5 m
Méretek (H x Sz x Ma):	. ábra <b>22</b>
Súly:	< 30 kg
Vizsgálat/tanúsítvány:	

	<b>FreshJet FJX4233EEH</b>	<b>FreshJet FJX4333EEH</b>	<b>FreshJet FJX4333E</b>
Hűtőteljesítmény (ISO 5151 szerint):	1700 W	2200 W	2200 W
Fűtési teljesítmény az ISO 5151 szabvány alapján:	800 W	1000 W	-

	FreshJet FJX4233EEH	FreshJet FJX4333EEH	FreshJet FJX4333E
Váltakozó áramú bemeneti feszültség:	220 V ... 240 V / 50 Hz		
Hűtés névleges áramerőssége:	3.6 A	4.8 A	4.8 A
Fűtés névleges áramerőssége:	< 5.2 A	< 5.2 A	-
Szükséges biztosíték:	4 A	5 A	6 A
Üzemelési hőmérséklet-tartomány:	- 2 °C ... 52 °C		
Hűtőközeg:	R32		
Hűtőközeg mennyisége:	320 g	360 g	360 g
CO <sub>2</sub> egyenérték:	0.216 t	0.243 t	0.243 t
Üvegház-potenciál (GWP):	675		
Védelmi osztály (tetőegység):	IPX4		
Zajszint (legmagasabb ventilátor-beállítás)	< 70 dB(A)		
Javasolt max. járműhossz (szigetelt falakkal):	< 6 m	< 7 m	< 7 m
Méretetek (H x Sz x Ma):	. ábra 		
Súly:	< 30 kg	< 30 kg	< 30 kg
Vizsgálat/tanúsítvány:	 		

	FreshJet FJX7333IHP	FreshJet FJX7337IHP	FreshJet FJX7457IHP
Hűtőteltjesítmény (ISO 5151 szerint):	2200 W	3000 W	3500 W
Fűtési teljesítmény az ISO 5151 szabvány alapján:	2000 W	2500 W	3000 W
Váltakozó áramú bemeneti feszültség:	220 V ... 240 V / 50 Hz ... 60 Hz	220 V ... 240 V / 50 Hz ... 60 Hz	220 V ... 240 V / 50 Hz ... 60 Hz
Hűtés névleges áramerőssége:	< 7.5 A	< 7.5 A	< 7.5 A
Fűtés névleges áramerőssége:	< 6.1 A	< 6.1 A	< 6.1 A
Szükséges biztosíték:	6 A	6 A	6 A

	<b>Freshjet FJX7333IHP</b>	<b>Freshjet FJX7337IHP</b>	<b>Freshjet FJX7457IHP</b>
Üzemelési hőmérséklet-tartomány:	- 2 °C ... 52 °C	- 2 °C ... 52 °C	- 2 °C ... 52 °C
Hűtőközeg:	R32	R32	R32
Hűtőközeg mennyisége:	420 g	480 g	650 g
CO <sub>2</sub> egyenérték:	0.2835 t	0.3240 t	0.43875 t
Üvegház-potenciál (GWP):	675		
Védelmi osztály (tetőegység):	IPX4		
Zajsztint (legmagasabb ventilátor-beállítás)	< 70 dB(A)		
Javasolt max. járműhossz (szigetelt falakkal):	< 7 m	< 7 m	> 8 m
Méreték (H x Sz x Ma):	. ábra <b>23</b>	. ábra <b>24</b>	. ábra <b>25</b>
Súly:	< 30 kg	< 35 kg	< 40 kg
Vizsgálat/tanúsítvány:			

## Arabic

203	ملاحظات هامة	1
203	شرح الرموز	2
204	هدف مجموعات	3
204	إرشادات السلامة	4
205	محتويات التسليم	5
205	الملحقات	6
206	الاستخدام المقصود	7
206	شرح الرموز على الجهاز	8
207	الحدود والشروط الفنية	9
207	التركيب	10
211	مخططات بيانية للدائرة	11
211	التخلص من الجهاز	12
211	البيانات التقنية	13

## 1 ملاحظات هامة

يُرجى قراءة هذه التعليمات، والإرشادات، والتحذيرات الواردة في دليل المنتج المشار إليه واتباعها بعناية للتأكد من تركيب المنتج، واستخدامه، وصيانته بشكل صحيح في جميع الأوقات. يجب أن تظل هذه التعليمات مع هذا المنتج.

باستخدام هذا المنتج، فإنك تؤكد بمقتضى ذلك أنك قد قرأت إخلاء المسؤولية المشار إليها، وكافة التعليمات، والإرشادات، والتحذيرات بعناية وأنك تفهم الشروط والأحكام وتوافق على الالتزام بها على النحو المنصوص عليه هنا. كما توافق على استخدام هذا المنتج فقط للغرض والاستعمال المقصود وفقاً للتعليمات، والإرشادات، والتحذيرات على النحو المنصوص عليه في دليل المنتج المشار إليه وكذلك وفقاً لجميع القوانين واللوائح المعمول بها. قد يؤدي عدم قراءة التعليمات والتحذيرات المنصوص عليها في هذه الوثيقة واتباعها إلى حدوث إصابة لك وللآخرين أو تلف منتجك أو تلف الممتلكات الأخرى الموجودة بالقرب منه. قد يخضع دليل المنتج المشار إليه، بما فيه من تعليمات وإرشادات وتحذيرات، والوثائق ذات الصلة للتغيير والتحديث. للحصول على أحدث معلومات عن المنتج، يرجى زيارة [documents.dometic.com](http://documents.dometic.com).

## 2 شرح الرموز

**خطر!** تشير إلى وجود وضع خطير إذا لم يتم تجنبه، سيؤدي إلى الوفاة أو حدوث إصابة خطيرة.



**تنبيه!** تشير إلى وجود وضع خطير إذا لم يتم تجنبه، سيؤدي إلى الوفاة أو حدوث إصابة خطيرة.



**احتراس!** تشير إلى وجود وضع خطير إذا لم يتم تجنبه، يمكن أن يؤدي إلى حدوث إصابات بسيطة أو متوسطة.



**تحذير!** تشير إلى وجود وضع خطير إذا لم يتم تجنبه، يمكن أن يؤدي إلى حدوث إصابات بسيطة أو متوسطة.



ملاحظة! معلومات تكميلية لتشغيل المنتج.



### 3 هدف مجموعات

يجب توصيل مصدر الإمداد بالطاقة الكهربائية من قِبل متخصص كهربائي مؤهل والذي لديه المهارة والمعرفة المتعلقة بإنشاء وتشغيل المعدات الكهربائية وقد تلقى تدريب خاص بالسلامة لتحديد وتجنب المخاطر التي تنطوي عليها.



يجب أن يتم تنفيذ التركيب الميكانيكي من قِبل شخص مؤهل ويكون على دراية بالبناء وتشغيل المعدات والمخاطر التي تنطوي عليها.



### 4 إرشادات السلامة

- تنبيه! عدم الالتزام بهذه التحذيرات قد يسفر عنه الوفاة أو التعرض لإصابات خطيرة.
- لا يُسمح بإجراء إصلاح الجهاز إلا بواسطة فنيين متخصصين على دراية كافية بالمخاطر واللوائح ذات الصلة. قد تؤدي الإصلاحات غير السليمة إلى التسبب في حدوث مخاطر شديدة، في حالة الحاجة للإصلاح، عليك الاتصال بمركز الخدمة في بلدك (انظر [dometic.com/dealer](http://dometic.com/dealer)).
- يجب تركيب الجهاز وفقاً للوائح التركيبات الكهربائية والميكانيكية الوطنية.
- الأجهزة الكهربائية ليست آمنة للأطفال. احتفظ بالأجهزة الكهربائية بعيداً عن متناول الأطفال أو ذوي الاحتياجات الخاصة. لا تسمح لهم باستخدام الأجهزة الكهربائية دون إشراف.
- الأشخاص ذوي القدرات الجسدية أو الحسية أو العقلية المحدودة أو الذين لا يمكنهم استخدام المنتج بأمان بسبب نقص الخبرة والمعرفة، فينبغي عدم السماح لهم باستخدام هذا الجهاز دون إشراف أو تلقي توجيهات من شخص مسؤول.
- في حالة نشوب حريق، لا تقم بفتح الغطاء العلوي للجهاز. بل استخدم مواد إطفاء معتمدة. لا تستخدم الماء في الإطفاء.
- عدم تخزين الجهاز في غرفة فيها لهب مشعل بشكل مستمر (على سبيل المثال أجهزة تعمل بالغاز) ومصادر اشتعال (على سبيل المثال سخان كهربائي).
- يجب تخزين الجهاز بشكل أفقي في مكان جاف وجيد التهوية ومغطى.
- يجب عدم ثقب الجهاز أو حرقه.
- اعلم بأن المبردات لا تحتوي على راحة.
- تم تصميم مكيف هواء السقف للتركيب في مركبة تزيد مساحة أرضيتها عن 4 م<sup>2</sup>.



- احتراس! إن عدم الالتزام بهذه التنبيهات يمكن أن يؤدي إلى حدوث إصابات بسيطة أو متوسطة.
- قم بتشغيل الجهاز فقط إذا كنت متأكدًا من عدم إتلاف الهيكل والكابلات.
- لا تستخدم الجهاز بالقرب من السوائل القابلة للاشتعال أو في الغرف المغلقة.
- تأكد من عدم تخزين أو تركيب أي أشياء قابلة للاشتعال بالقرب من مخرج الهواء. يجب الحفاظ على مسافة لا تقل عن 50 سم.
- عدم الوصول إلى منافذ التهوية وعدم إدخال أشياء غريبة في الجهاز.
- ارتد دائماً نظارات وقذازات واقية.



تحذير! خطر التلف



- يعمل الجهاز على النحو الأمثل في 1020 ملي بار.
- يجب تخزين الجهاز بشكل يمنع حدوث أي تلف ميكانيكي.
- قبل التركيب، تحقق ما إذا كانت أي من مكونات الشاحنة يمكن أن تتلف بسبب تركيب الجهاز (مثل المصابيح والخزائن والأبواب). من الممكن أن تكون قد حددت الشركة المصنعة للشاحنة بالفعل أماكن الفتحات الخاصة بتركيب الجهاز دون التسبب في إضعاف بنية الشاحنة أو قطع كابلات الطاقة.
- قبل التركيب، استشر الشركة المصنعة للشاحنة ما إذا كانت بنية الشاحنة مصممة لتحمل الوزن الساكن لمكيف الهواء وأحماله أثناء حركة الشاحنة.
- يجب إحكام جميع الفتحات التي تنشأ أثناء تركيب مكيف هواء السقف.
- اختر للتركيب منطقة مسطحة ومستوية بشكل كافٍ في وسط سطح الشاحنة بين قطعين طوليين.
- يجب ألا تتجاوز زاوية ميل سقف سطح التركيب 10 درجة.
- تأكد من عدم وجود أشياء داخل الشاحنة قد تعيق تركيب صندوق توزيع الهواء أو الهواء البارد من التدفق عبر فتحات توزيع الهواء الدوارة.
- لا تقم بإجراء أي تغييرات أو تعديلات على الجهاز.
- لا تقم أبداً بقيادة السيارة في المغاسل عند تثبيت الجهاز.
- في حالة حدوث عطل في دائرة التبريد، يجب أن تقوم شركة متخصصة بفحص النظام وإصلاحه بشكل صحيح.
- يجب عدم إطلاق مادة التبريد في الهواء إطلاقاً.
- اسأل الشركة المصنعة للشاحنة عما إذا كان من الضروري تعديل ارتفاع الشاحنة المدرج في مستندات شاحنتك، بسبب هيكل مكيف هواء السقف.

## 5 محتويات التسليم

الوصف	الكمية	الرقم في شكل 1، شكل 2
وحدة السقف العلوية	1	1
إطار السقف	1	2
صندوق توزيع الهواء (ADB)	1	3
غطاء مركز ADB	1	4
أقسام مجرى الهواء	4	5
موصلات الكابلات	3	6
براغي التثبيت	4	7
غطاء الصندوق	1	8
فقط لـ FreshJet FJX4233EEH/FJX4333E(EH)/FJX7333IHP/ FJX7337IHP/FJX7457IHP :جهاز التحكم عن بُعد	1	9

## 6 الملحقات

أغراض متوفرة كملحقات (غير مدرجة في محتويات التسليم):

الوصف	الرقم المرجعي
أقسام قنوات التمديد (يغطي كل قسم إضافي 10 مم)	4450017931
براغي تثبيت طويلة 160 x M6 مم (لـ 60 ... 120 مم سماكة السقف)	4450012023
تنقية الهواء	4450029486
سخّان كهربائي	4450029487
إضاءة محيطية ADB	4450029488
فلتر لـ FreshJet FJX4233M	4450024007
	4450024008
فلتر لـ FJX4233EEH/FJX4333E(EH)/FJX7333IHP/FJX7337IHP/FJX7457IHP	4450025683

## 7 الاستخدام المقصود

تم تصميم مكيف هواء السقف FreshJet FJX فقط للتركيب على سطح كرفان أو مركبة ترفيهية لتوفير التبريد.

مكيف هواء السقف غير مناسب للقطارات والمنازل والشقق السكنية. مكيف هواء السقف غير مناسب للتركيب في آلات البناء أو الآلات الزراعية أو المعدات المماثلة.

هذا المنتج مناسب للغرض المقصود والاستخدام وفقاً للتعليمات هذه فقط.

يوفر دليل التشغيل هذا المعلومات الضرورية للتركيب و/أو التشغيل الصحيح للمنتج. سيؤدي سوء التركيب و/أو التشغيل الخاطئ والصيانة غير الصحيحة إلى أداء غير مرضي وعطل محتمل.

لا تتحمل الشركة المصنعة أي مسؤولية عن أي ضرر أو تلف بالمنتج ناتج عن:

- عملية التجميع أو التوصيل غير الصحيحة بما في ذلك الجهد الزائد
- صيانة غير صحيحة أو استخدام قطع غيار غير أصلية وغير مقدمة من الشركة المصنعة
- إجراء تعديلات على المنتج دون حصول على إذن صريح من الشركة المصنعة
- الاستخدام في أغراض أخرى خلاف الأغراض الموضحة في هذا الدليل

تحتفظ شركة Dometic بالحق في تغيير شكل المنتج ومواصفاته.

## 8 شرح الرموز على الجهاز

تحذير! مادة ذات سرعة احتراق منخفضة.



اقرأ دليل التشغيل.





اقرأ دليل الخدمة.



## 9 الحدود والشروط الفنية

مكيف هواء السقف مخصص للسيارات ذات الأسقف التي يبلغ سمكها 25 مم ... 60 مم. وظيفة مكيف هواء السقف تضمن درجات الحرارة المحيطة ما بين - 2 درجة مئوية ... 52 درجة مئوية. تم تصميم مكيف هواء السقف ليتم تركيبه في حدود  $\pm 10$  درجة على المستوى الأفقي. قد ينخفض أداء مكيف هواء السقف عندما يتعرض للاهتزازات قوية، على سبيل المثال بسبب ظروف الطريق السيئة.

## 10 التركيب

خطراً! خطر التعرض إلى الصعق الكهربائي



- يجب توصيل مصدر الإمداد بالطاقة الكهربائية من قبل متخصص كهربائي مؤهل والذي لديه المهارة والمعرفة المتعلقة بإنشاء وتشغيل المعدات الكهربائية وقد تلقى تدريب خاص بالسلامة لتحديد وتجنب المخاطر التي تنطوي عليها.
- افصل جميع مصادر الطاقة عند إجراء عمل على مكيف هواء السقف.
- تأكد من عدم إمكانية إعادة توصيل الجهاز.

تنبيه! خطر التعرض إلى الصعق الكهربائي



- يجب تركيب الجهاز وفقاً للوائح الوطنية لتوصيل الأسلاك.
- يجب تضمين ما يلي في الأسلاك الثابتة وفقاً لأنواع الأسلاك: جهاز فصل متعدد الأقطاب يحتوي على 3 مم خلوص على الأقل في جميع الأقطاب، وعند وجود تيار مشرب قد يتجاوز 10 ميلي أمبير جهاز التيار المتبقي (RCD) لديه تيار تشغيل متبقي مقنن لا يتجاوز 30 ميلي أمبير، انقطاع.
- إذا استبدل الجهاز نافذة أو فتحة بوظيفة تهوية قسرية ذات صلة بالسلامة، يجب إضافة جهاز تنفيس أمان إضافي (مثل مروحة أو ما شابه ذلك). عند الشك، استشر الشركة المصنعة للشاحنة.
- بعد تركيب مكيف هواء السقف، يجب أن يتم رفع مدخنة العادم بالقرب من مكيف هواء السقف بمقدار 10 سم مرات على الأقل. إذا لزم الأمر، قم بإزالة مدخنة العادم. اتبع تعليمات الشركة المصنعة للتدفئة.

احتراس! احترس من التعرض لإصابة



- يمكن أن يؤدي التركيب الخاطئ لمكيف هواء السقف إلى تلف الجهاز ولا يمكن إصلاحه ويعرض سلامة المستخدم للخطر.
- من الضروري وجود شخص آخر لمساعدتك في نقل أو حمل مكيف هواء السقف دائماً.
- قبل التركيب، تحقق من أن موضع التوصيلات الكهربائية الموجودة والأسلاك والمكونات الأخرى داخل منطقة التركيب، خاصة المكونات غير المرئية، عند تركيب مكيف هواء السقف (عند الثقب أو تثبيت المسامير وما إلى ذلك).
- قم بتثبيت الكابلات وتمديدتها بطريقة تمنع خطر التعثر بها أو تلفها.
- ارتد دائماً نظارات وقفازات واقية.

## تحذير! خطر التلف



- الجهاز عبارة عن نظام مغلق بدائرة تبريد مغلقة. لا تفتح ولا تتلاعب بها.
- استخدم أنابيب كابلات لتمديد الكابلات عبر جدران حادة الحواف.
- لا تتم بتمديد أي كابلات مرتخية أو منحنية بجوار مواد موصلة للكهرباء (معادن).
- لا تسحب الكابلات.
- تأكد من أن الكابلات لن تتعرض للتآكل أو الضغط الزائد أو الاهتزاز أو إلى حواف حادة أو أي تأثير بيئية ضارة. يجب أن يأخذ الفحص أيضاً في عين الاعتبار آثار التقادم أو الاهتزاز المستمر من مصادر مثل المكابس أو المراوح.
- قم بمراجعة قوة هيكل سقف الشاحنة. يجب أن يكون سقف الشاحنة قادراً على تحمل وزن مكيف هواء السقف دون حدوث أي تشوهات أو انبعاجات. عند الشك، استشر الشركة المصنعة للشاحنة.

## ملاحظة!



- يمكنك العثور على مواصفات الجهاز في البيانات التقنية و ملصق الطراز التالي:
- وحدة السقف العلوية ملصق الطراز شكل 3
- ملصق الطراز ADB شكل 4



Find additional information on roof air conditioners in the operating manual, such as the technical description or the controls, see [documents.dometic.com/?object\\_id=75095](https://documents.dometic.com/?object_id=75095)



شكل 3 بالصفحة 2 شكل 4 بالصفحة 2

1. اختر طريقتك في تركيب مكيف هواء السقف:
  - قم بعمل فتحة جديدة. في هذه الحالة يجب تقوية الفتحة بإطار مناسب.
  - استخدم فتحة موجودة في الشاحنة مثل فتحة سقف أو استبدال مكيف هواء قديم على السقف.
2. قم بعمل فتحة جديدة
  - اختر منطقة في المنتصف على السقف بين دعامتين طوليتين.
3. شكل 5 بالصفحة 2
  - ضع علامة على موضع الفتح وحجمه (400 × 400 مم).
4. قم بثقب الزوايا (A).

تحذير! خطر التلف تأكد من عدم تلف كابلات الطاقة الكهربائية. تحقق من مكان الكابلات الكهربائية.



شكل 6 بالصفحة 3

5. قم بحرص بعمل الفتحة على السقف باستخدام منشار ثقب أو أداة مماثلة (B).
6. تحقق مما إذا كانت فتحة السقف تحتاج إلى تقوية.
7. إذا لزم الأمر، قم بإزالة الرغوة وفقاً لعرض سلك التقوية الخاصة بك (ليس في نطاق التسليم) (A).
8. شكل 7 بالصفحة 3
  - تثبيت سلك التقوية (B).

### التركيب في الفتحة الموجودة

9. أزل جميع البراغي ومثبتات فتحة السقف الحالية أو مكيف الهواء.

شكل 8 بالصفحة 3

10. أخرج فتحة السقف أو مكيف هواء السقف.

11. أزل مانع التسرب الموجود حول الفتحة باستخدام مكشطة أو أداة مماثلة.

شكل 9 بالصفحة 3

### تمديد كابلات التوصيل

12. تأكد من مطابقة مواصفات الجهد الكهربائي لمكيف هواء السقف الواردة بملصق الطراز مع إمدادات الطاقة المتوفرة. يجب توصيل مكيف هواء السقف بدائرة كهربائية يمكنها توفير التيار المطلوب (البيانات التقنية).

13. تأكد من أن مصدر الطاقة يحتوي على قاطع دائرة التيار المتبقي (> 30 ميلي أمبير). في حال عدم وجوده، قم بتركيب قاطع لدائرة التيار المتبقي.

14. قم بتركيب مفتاح جميع الأقطاب المزود بفتحة توصيل عرضها 3 مم على الأقل على جانب التركيب.

15. اختر القطوع العرضي لكابل مصدر الطاقة بما يتناسب مع الطول:

• الطول > 7.5 م: 1.5 مليمتر مربع

• الطول < 7.5 م: 2.5 مليمتر مربع

16. قم بعمل فتحة على جانب واحد لتمرير كابل الطاقة من خلالها.

شكل 10 بالصفحة 3

17. قم بتمرير كابل مصدر الطاقة عبر الفتحة إلى داخل الشاحنة.

### تركيب وحدة السقف العلوية

18. احكم غلق حول إطار السقف باستخدام مركب منع تسرب بوتيلي غير متصلب مرن (على سبيل المثال، SikaLastomer-710 أو صمغ بوتيلي Selleys أو مانع تسرب بوتيلي Bostik ezycaulk أو ما شابه). يجب مراعاة إرشادات الشركة المصنعة لمادة منع التسرب.

شكل 11 بالصفحة 4

19. وجه إطار السقف بناءً على حجم الفتحة.

20. ضع إطار السقف في فتحة السقف.

شكل 12 بالصفحة 4

21. ارفع وحدة السقف العلوية على سقف الشاحنة. احرص على اتجاه السير.

22. ضع وحدة السقف العلوية في إطار السقف وقم بمحاذاتها مع تجايف إطار السقف. للمحاذاة مع تجايف إطار السقف، استخدم الزوايا الموجودة في مقدمة إطار السقف.

### التوصيل الكهربائي

23. قم بتوصيل كابل إمداد الطاقة.

شكل 13 بالصفحة 5

(a) قم بتوصيل الكابلات (1) بموصل الكابلات (2).

(b) قم بتوصيل مكيف هواء السقف بمصدر الطاقة.

(c) قم بتوصيل كابل التاريز بنظام تاريز الشاحنة.

24. فقط FreshJet FJX4233M: قم بتوصيل الكابل بين الوحدة الخارجية وصندوق ناشر الهواء.

(a) اسحب الفلتر للخارج قليلاً لإنشاء ثقب لكابل الاتصال (3).

(b) قم بإدخال الكابل عن طريق الثقب وحدد موقع السلك في الفتحة.

(c) قم بتوصيل قابس الاتصال المكون من 6 أسنان بالمقيس الموجود على جانب الشاشة في ADB. تأكد من أن الكابل موجود في الفتحة الصغيرة بعيداً عن منطقة الفلتر.

(d) قم بتأمين الكابلات الزائدة في الحوامل.

- 25. فقط لـ FreshJet FJX4233EEH/FJX4333E(EH)/FJX7333IHP/FJX7337IHP/FJX7457IHP:** قم بتوصيل كابلات الاتصال.
- (a) اسحب الفلتر للخارج قليلاً لإنشاء ثقب لكابلات الاتصال (4).
- (b) قم بإدخال كابل الاتصال عن طريق الثقب وحدد موقع السلك في الفتحة.
- (c) قم بتوصيل قابس الاتصال المكون من 4 أسنان بالمقبس الموجود على جانب الشاشة في ADB. تأكد من أن الكابل موجود في الفتحة الصغيرة بعيداً عن منطقة الفلتر.
- (d) قم بتأمين الكابلات الزائدة في الحوامل.

### تركيب ADB

- 26.** قم بتكديس أقسام مجرى الهواء ووضعها مقابل سماكة السقف: تأكد من أن ارتفاع مجرى الهواء يتوافق مع ارتفاع السقف أو استخدم الجدول كدليل.

شكل 14 بالصفاحة 6

سُمك السقف	عدد أقسام مجرى الهواء
25 ... 35 مم	1
35 ... 45 مم	2
45 ... 55 مم	3
55 ... 60 مم	4

ملاحظة! يمكن شراء أقسام إضافية لمجرى الهواء للأسطح السميكة.



- 27.** قم بربط العدد المطلوب من أقسام مجرى الهواء على ADB.
- 28.** اربط ADB بالسقف من خلال وحدة السقف العلوية باستخدام المسامير الـ 4 المرفقة. قم بربط البراغي باستخدام مفتاح عزم بعزم دوران قدره 2.5 نيوتن متر  $\pm 0.3$  نيوتن متر.
- شكل 15 بالصفاحة 7
- 29.** ادفع الفلتر إلى الداخل بالكامل.
- شكل 16 بالصفاحة 7
- 30.** شبك غطاء المركز في ADB.
- شكل 17 بالصفاحة 8
- 31.** اسأل الشركة المصنعة للشاحنة عما إذا كان من الضروري إجراء فحص فني بعد تركيب مكيف هواء وعما إذا كان الارتفاع المدرج في مستندات الشاحنة يحتاج إلى تعديل:
- FreshJet FJX4233, FreshJet FJX4333, FreshJet FJX7333: زيادة الارتفاع 225 مم
  - FreshJet FJX7337: زيادة الارتفاع 240 مم
  - FreshJet FJX7457: زيادة الارتفاع 283 مم

أكمل التثبيت الآن.

قم بتوصيل مصدر الطاقة واختبر ما إذا كان مكيف هواء السقف يعمل.

## 11 مخططات بيانية للدائرة

**FJX4233M**

شكل 18 بالصفحة 8

**FJX4233E, FJX4333E(EH), FJX7333IHP**

شكل 19 بالصفحة 9

**FJX7337IHP, FJX7457IHP**

شكل 20 بالصفحة 9

**ADB**

شكل 21 بالصفحة 10

## 12 التخلص من الجهاز

ضع مواد التعبئة والتغليف في الصناديق المناسبة الخاصة بالنفايات القابلة لإعادة التدوير كلما أمكن ذلك. استشر مركز محلي لإعادة التدوير أو تاجر متخصص للحصول على تفاصيل حول كيفية التخلص من المنتج وفقاً للوائح التخلص المطبقة.




حماية البيئة! البطاريات والمراكم لا تنتمي للنفايات المنزلية. يرجى إرسال البطاريات المستهلكة والمراكم التالفة إلى التاجر أو إلى أحد مراكز التجميع.



## 13 البيانات التقنية

يحتوي على غازات دفيئة مفلورة. معدات محكمة الغلق.

FreshJet FJX4233M	
1500 وات	قدرة التبريد على أساس ISO 5151:
220 فولت ... 240 فولت / 50 هرتز	جهد دخل التيار المتردد:
> 3.3 أمبير	التبريد الحالي المقدر:
4 أمبير	المصهر المطلوب:
- 2 درجة مئوية ... 52 درجة مئوية	نطاق درجة حرارة التشغيل:
R410a	مادة التبريد:
380 غ	كمية المبرد:
0.793 طن	CO <sub>2</sub> يعادل:
2088	احتمالية حدوث احتباس حراري (GWP):

FreshJet FJX4233M	
IPX4	فئة الحماية (وحدة السقف العلوي):
> 70 ديسيل (أ)	مستوى الضوضاء (أعلى إعداد للمروحة)
> 5 م	الحد الأقصى لطول الشاحنة المقترح (مزودة بجدران معزولة):
شكل 22	أبعاد الطول x العرض x الارتفاع:
> 30 كجم	الوزن:
	
الفحص/الشهادة:	

FreshJet FJX4333E	FreshJet FJX4333EEH	FreshJet FJX4233EEH	
2200 وات	2200 وات	1700 وات	قدرة التبريد على أساس ISO 5151:
–	1000 وات	800 وات	قدرة التدفئة على أساس ISO 5151:
220 فولت ... 240 فولت / 50 هرتز			جهد دخل التيار المتردد:
4.8 أمبير	4.8 أمبير	3.6 أمبير	التبريد الحالي المقدر:
–	> 5.2 أمبير	> 5.2 أمبير	التدفئة الحالية المقدر:
6 أمبير	5 أمبير	4 أمبير	المصهر المطلوب:
– 2 درجة مئوية ... 52 درجة مئوية			نطاق درجة حرارة التشغيل:
R32			مادة التبريد:
360 غ	360 غ	320 غ	كمية المبرد:
0.243 طن	0.243 طن	0.216 طن	CO <sub>2</sub> يعادل:
675			احتمالية حدوث احتباس حراري (GW/P):
IPX4			فئة الحماية (وحدة السقف العلوي):
> 70 ديسيل (أ)			مستوى الضوضاء (أعلى إعداد للمروحة)
> 7 م	> 7 م	> 6 م	الحد الأقصى لطول الشاحنة المقترح (مزودة بجدران معزولة):
شكل 23			أبعاد الطول x العرض x الارتفاع:
> 30 كجم	> 30 كجم	> 30 كجم	الوزن:

FreshJet FJX4333E	FreshJet FJX4333EEH	FreshJet FJX4233EEH	
			الفحص/الشهادة:
FreshJet FJX7457IHP	FreshJet FJX7337IHP	FreshJet FJX7333IHP	
3500 وات	3000 وات	2200 وات	قدرة التبريد على أساس ISO 5151:
3000 وات	2500 وات	2000 وات	قدرة التدفئة على أساس ISO 5151:
220 فولت ... 240 فولت / 50 هرتز ... 60 هرتز	220 فولت ... 240 فولت / 50 هرتز ... 60 هرتز	220 فولت ... 240 فولت / 50 هرتز ... 60 هرتز	جهد دخل التيار المتردد:
> 7.5 أمبير	> 7.5 أمبير	> 7.5 أمبير	التبريد الحالي المقدر:
> 6.1 أمبير	> 6.1 أمبير	> 6.1 أمبير	التدفئة الحالية المقدر:
6 أمبير	6 أمبير	6 أمبير	المصهر المطلوب:
2 - درجة مئوية ... 52 درجة مئوية	2 - درجة مئوية ... 52 درجة مئوية	2 - درجة مئوية ... 52 درجة مئوية	نطاق درجة حرارة التشغيل:
R32	R32	R32	مادة التبريد:
650 غ	480 غ	420 غ	كمية المبرد:
0.43875 طن	0.3240 طن	0.2835 طن	CO <sub>2</sub> يعادل:
675			احتمالية حدوث احتباس حراري (GWP):
IPX4			فئة الحماية (وحدة السقف العلوي):
(> 70 ديسيبل (أ))			مستوى الضوضاء (أعلى إعداد للمروحة)
< 8 م	> 7 م	> 7 م	الحد الأقصى لطول الشاحنة المقترح (مزودة بجدران معزولة):
شكل 25	شكل 24	شكل 23	أبعاد الطول x العرض x الارتفاع:
> 40 كجم	> 35 كجم	> 30 كجم	الوزن:
			الفحص/الشهادة:



---

**dometic.com**

---

**YOUR LOCAL  
DEALER**

**[dometic.com/dealer](https://dometic.com/dealer)**

**YOUR LOCAL  
SUPPORT**

**[dometic.com/contact](https://dometic.com/contact)**

**YOUR LOCAL  
SALES OFFICE**

**[dometic.com/sales-offices](https://dometic.com/sales-offices)**

---